



Pricelist Refrigeration Equipment – 2014

Pricelist, Listino prezzi, Preisliste, Prislita, Lista de precios, Liste de prix, Hinnasto, Cennik, Prislite, Ceník, Lista de preços



Refrigeration pricelist 2014

Content

Page

Brazed heat exchangers

AC-30 / AHC-30 – standard models	1
AC-70 / AHC-70 – standard models	2
AC-220 / AHC-220 – standard models	3
AC-500 Single circuit – standard models	4
ACH16	5
ACH18	6
CB30 / CBH30	7
AC-30 / ACH-30	8
CB60 / CBH60	9
AC-70 / ACH-70	10
AC-70 / ACH-70 Extras	11
CB110	12
CB112	13
CB110 / CB112 Extras	14
AC-120 / ACH-120	15
AC-220 / ACH-220	16
AC-220 / ACH-220 Extras	17
AC-230EQ / ACH-230EQ Single circuit	18
AC-230DQ / ACH-230DQ Dual circuit	19
AC-500EQ / ACH-500EQ Single circuit	20
AC-500DQ / ACH-500DQ Dual circuit	21
CB200	22
CB300	23
CB400	24
CBXP & AXP	25
Brazed heat exchangers Asia Pacific Standard Units REF	26

AlfaNova heat exchangers

AlfaNova 14	27
AlfaNova 27 - HP 27	28
AlfaNova 52 - HP 52	29
AlfaNova 76 - HP 76	30

Gasketed heat exchangers

Semi-welded plate heat exchangers for refrigeration	31
Gasketed plate heat exchangers	32
Cleaning In Place	34
Auxiliary equipment / Tightening devices	35

Shell-and-tube heat exchangers

Dryplus-3 Shell-and-tube evaporators – standard models	38
Pure Cooler Shell-and-tube evaporators – standard models	39
CDEW Shell-and-tube condensers – standard models	40
CDEW-E Shell-and-tube condensers – standard models	41
CXP Shell-and-tube condensers – standard models	42
DM shell-and-tube dry expansion evaporators	43
DM shell-and-tube dry expansion evaporators	44
Dryplus-3 Shell-and-tube dry expansion evaporators	45
Dryplus-E Shell-and-tube dry expansion evaporators	47
Dryplus-3 and Dryplus-E dry expansion evaporators options/accessories	48
Shell-and-tube evaporator Dryplus-3 spare parts list	49
Shell-and-tube evaporator Dryplus-E spare parts list	50
Pure Cooler dry expansion evaporators	51
Spare parts for Pure Cooler	53
Spare parts for Pure Cooler	54
FEV-HP Shell-and-tube flooded evaporators	55
CDEW Shell-and-tube water cooled condensers	56
Shell-and-tube water cooled condensers – Accessories	57
McDEW Shell-and-tube water cooled condensers	58
CXP Shell-and-tube water cooled condensers	59
Shell-and-tube condensers CPlus, CDEW & CXP	60
Shell-and-tube spare parts: single connections	62
CFC-CPS-CDEW LF Shell-and-tube water cooled condensers Asia market only	63

Air heat exchangers

Alfa Laval Air Cooled Condensers

Air Cooled Condensers - Quick Selection

Technical specifications	64
--------------------------	----

AlfaBlue Junior - Single fan row

Prices	65
Accessories and options	67

AlfaBlue Condensers - Single fan row

Prices	69
--------	----

AlfaBlue Condensers - Double fan row

Prices 71

AlfaBlue Condensers: Accessories and options

Accessories and options 72

Fincoil AlfaSolar

Prices 76

Accessories and options 78

Alfa-V Condensers - Single fan row

Prices 81

Accessories and options 82

Fincoil Solar Max

Prices 84

Accessories and options 85

Fincoil Solar ZA, ZZ

Prices 87

Alfa Laval Air Cooled Liquid Coolers

Air Cooled Liquid Coolers - Quick Selection

Technical specifications 88

AlfaBlue Junior Dry Coolers - Single fan row

Prices 89

Accessories and options 90

AlfaBlue Dry coolers - Single fan row

Prices 92

Accessories and options 94

Alfa Laval Air Coolers

Air coolers - Quick selection

Technical specifications 97

Low silhouette/Optigo CS

Prices 100

Draw through/Optigo CC'	
Prices	101
Accessories and options	109
Draw through/AlfaCubic	
Prices	110
Accessories and options	112
Draw through/Fincoil Polar Cat G	
Prices	114
Draw through/Airmax II	
Prices	115
Accessories and options	119
Draw through/Fincoil AHB	
Prices	121
Blow through/Helpman LEX	
Prices	122
Dual discharge/Fincoil Polar Cat Duo	
Prices	123
Dual discharge/Optigo CD	
Prices	124
Accessories and options	128
Dual discharge/Big Top	
Prices	129
Accessories and options	130
Dual discharge/Fincoil FMP	
Prices	131
Dual discharge/Fincoil AMK	
Prices	132
Gravity coils/Fincoil FK	
Prices	133

Alfa Laval Air Coolers standard models

Optigo CSE – standard models	134
Optigo CSX Design pressure 80 bar – standard models	136

Dear customer,

This price list is valid from 01.01.2014; all previous price lists will lose their validity at this date. The prices shown in this list are our gross prices, based on Term of delivery according to Incoterm 2000, including export packing and loading at production unit (FCA Production site), excluding VAT and export/import duties. "The General Conditions of the selling Alfa Laval Group company apply to all purchases of products contained in this pricelist. These conditions apply whether or not a copy is attached to the order confirmation or whether a reference is made in the order confirmation. A copy of these General Conditions can be obtained from the selling Alfa Laval Group company". Prices are subject to change without notice. While every precaution has been taken, Alfa Laval assumes no responsibility for errors or omission, or for damage resulting from the information contained herein.

Brazed heat exchangers

AC-30 / AHC-30 – standard models

Easy to order brazed heat exchangers - article number based standard models.
All models are kept in stock.



Model	Article no.	Capacity (kW)	Capacity (kW)	Capacity (kW)	Capacity (kW)	Dimension L x W x H (mm)	Weight (kg)	Price
AC-30 Standard pressure		Evaporator R404A	Evaporator R134a	Condenser R404A	Condenser R134a			
AC-30-10EQ (H24,H23,B21)*	3288153696	1.6	3.0	1.8	2.2	48 X 95 X 325	2.3	284
AC-30-14EQ (H24,H23,B21)*	3288153697	2.3	4.4	2.7	3.3	54 X 95 X 325	2.7	314
AC-30-20EQ (H24,H23,B21)*	3288153698	3.3	6.4	4.0	5.0	63 X 95 X 325	3.2	360
AC-30-24EQ (H24,H23,B21)*	3288153699	3.9	7.6	4.9	6.1	69 X 95 X 325	3.5	389
AC-30-30EQ (H62,H23,B21)*	3288101016	4.8	9.5	6.3	7.8	79 X 95 X 325	4.0	436
AC-30-36EQ (H62,H23,B21)*	3288101017	5.8	11.4	7.7	9.5	88 X 95 X 325	4.6	481
AC-30-40EQ (H62,H23,B21)*	3288101018	6.5	12.7	8.6	10.5	94 X 95 X 325	5.0	512
AC-30-44EQ (H62,H23,B21)*	3288101019	7.1	14.0	9.5	11.8	100 X 95 X 325	5.3	542
AC-30-54EQ (H65,H41,B21)*	3288101403	8.8	17.0	11.8	14.5	115 X 95 X 325	6.2	616
AC-30-60EQ (H65,H41,B21)*	3288101404	9.8	18.8	13.0	16.2	124 X 95 X 325	6.7	663
AC-30-70EQ (H66,H41,B21)*	3288101405	11.0	21.3	15.5	19.0	139 X 95 X 325	7.6	737
AC-30-100EQ (H67,H41,B21)*	3288101408	13.5	26.2	22.0	27.5	185 X 95 X 325	9.8	966
AHC-30 High pressure		Evaporator R404A	Evaporator R134a	Condenser R404A	Condenser R134a			
AHC-30-20EQ (H62,H23,H23)**	3287108344	3.3	6.4	4.0	5.0	63 X 95 X 325	3.1	431
AHC-30-40EQ (H62,H23,H23)**	3288154174	6.5	12.7	8.6	10.5	94 X 95 X 325	4.9	569
AHC-30-60EQ (H65,H41,H23)**	3288154175	9.8	18.8	13.0	16.5	124 X 95 X 325	6.6	737
AHC-30-80EQ (H66,H41,H23)**	3288154176	12.2	23.3	17.5	22.0	155 X 95 X 325	8.4	905

- Product denomination: AC = AlfaChill line 32 bar, ACH = AlfaChill high pressure line 45 bar, EQ = integrated refrigerant distribution system.
- Direct expansion, R404A, evaporator temperature: -12 °C, 35% propylene glycol from -4 to -8 °C pressure drop max: 65 Kpa.
- Direct expansion, R134a, evaporator temperature: +2 °C, water from 12 to 7 °C, pressure drop max: 50 Kpa.
- Condenser, for R404A and R134a, condenser temperature: 45 °C, water from 37 to 42 °C, pressure drop max: 50 Kpa.

* Connections: S1/S2: BSP 1" external thread, S3: H24 (1/2") – H65 H66 H67 (5/8"), S4: H41 (1"1/8) – H23 (7/8") soldering.

** Connections high pressure all soldering: S1/S2: H23 (7/8") soldering, S3: H62 (1/2") – H65 H66 (5/8") soldering, S4: H23 (7/8") – H41 (1"1/8") soldering.

AC-70 / AHC-70 – standard models

Easy to order brazed heat exchangers - article number based standard models.
All models are kept in stock.



Model	Article no.	Capacity (kW)	Capacity (kW)	Capacity (kW)	Capacity (kW)	Dimension L x W x H (mm)	Weight (kg)	Price
AC-70 Standard pressure		Evaporator R404A	Evaporator R134a	Condenser R404A	Condenser R134a			
AC-70X-20M (H39,H21,B21)*	3287065787	5.0	13.0	7.4	9.0	81 x 111 x 526	6.3	561
AC-70X-30M (G65,H21,B21)*	3287065788	8.0	20.0	11.6	14.0	104 X 111 X 526	8.1	721
AC-70X-40M (G67,H21,B21)*	3287065789	10.8	26.4	16.0	19.0	127 X 111 X 526	9.9	883
AC-70X-50M (G67,H34,B32)*	3287065790	13.5	33.4	20.0	24.0	150 X 111 X 526	12.0	1073
AC-70X-60M (G68,H34,B32)*	3287065791	16.3	39.2	24.5	29.0	173 X 111 X 526	13.8	1234
AC-70X-70M (G68,H34,B32)*	3287065792	18.5	44.5	28.5	34.0	196 X 111 X 526	15.6	1397
AC-70X-80M (N60,H34,B32)*	3287065793	20.5	49.0	33.0	39.0	219 X 111 X 526	17.4	1568
AC-70X-100M (H30,H34,B32)*	3287065795	24.0	56.5	41.0	49.0	265 X 111 X 526	21.0	1881
AC-70X-120M (H30,H34,B32)*	3287065797	25.5	61.5	50.0	59.0	311 X 111 X 526	24.6	2207
ACH-70 High pressure		Evaporator R404A	Evaporator R134a	Condenser R404A	Condenser R134a			
ACH-70X-30H (G76,H34,H21)**	3287110945	8.3	18.5	13.8	16.5	104 X 111 X 526	8.0	911
ACH-70X-50H (G67,H34,H21)B**	3287065932	14.5	31.1	24.0	29.0	150 X 111 X 526	11.9	1105
ACH-70X-70H (G68,H34,H21)B**	3287065933	20.2	42.3	34.0	41.0	196 X 111 X 526	15.5	1440
ACH-70X-90H (N60,H34,H38)B**	3287065934	25.0	51.6	44.0	53.0	242 X 111 X 526	19.1	1800
ACH-70X-110H (H30,H34,H38)B**	3287065935	28.5	59.0	54.0	65.0	288 X 111 X 526	21.9	2128

- Product denomination: AC = AlfaChill line 32 bar, ACH = AlfaChill high pressure line 45 bar, X = integrated refrigerant distribution system.
- Direct expansion, R404A, evaporator temperature: -12 °C, 35% propylene glycol from -4 to -8 °C pressure drop max: 65 Kpa.
- Direct expansion, R134a, evaporator temperature: +2 °C, water from 12 to 7 °C, pressure drop max: 50 Kpa.
- Condenser, for R404A and R134a, condenser temperature: 45 °C, water from 37 to 42 °C, pressure drop max: 50 Kpa.

* Connections: S1/S2: external thread B32 (BSP 1"), B32 (BSP 1"1/4), S3: soldering H39 G65 G67 G68 (16.1 mm), N60 H30 (22.3 mm), S4: soldering H21 (1"1/8), H34 (1"3/8).

** Connections: S1/S2: soldering H21 (1"1/8), H38 (1"3/8), S3: soldering G67 G68 (16.1 mm), N60 H30 (22.3 mm), S4: soldering H34 (1"3/8).



AC-220 / AHC-220 – standard models

Easy to order brazed heat exchangers - article number based standard models.
All models are kept in stock.

Model	Article no.	Capacity (kW)	Capacity (kW)	Capacity (kW)	Capacity (kW)	Dimension L x W x H (mm)	Weight (kg)	Price
AC-220 Standard pressure		Evaporator R404A	Evaporator R134a	Condenser R404A	Condenser R134a			
AC-220EQ-36AM*	3287118771	23.0	40.0	35.0	43.0	137 x 191 x 616	20.2	2177
AC-220EQ-42AM**	3287118772	27.0	47.0	42.0	50.0	151 X 190 X 616	22.3	2405
AC-220EQ-50AM**	3287118773	33.0	57.0	50.0	60.0	167 X 190 X 616	25.4	2697
AC-220EQ-60AM**	3287118774	40.0	67.0	60.0	70.0	188 X 190 X 616	28.9	3064
AC-220EQ-76AM**	3287118775	50.0	84.0	75.0	90.0	221 X 190 X 616	34.5	3649
AC-220EQ-94AM**	3287118776	62.0	100.0	115.0	97.0	258 X 190 X 616	40.8	4307
AC-220EQ-110AM** a)	3287118778	70.0	-	135.0	115.0	291 X 190 X 616	46.3	4893
AHC-220 High pressure		Evaporator R404A	Evaporator R134a	Condenser R404A	Condenser R134a			
AHC-220EQ-42AM** a)	3287118790	27.0	47.0	42.0	50.0	151 X 190 X 616	23.9	2575
AHC-220EQ-60AM** a)	3287118792	40.0	67.0	60.0	70.0	188 X 190 X 616	30.2	3306
AHC-220EQ-76AM** a)	3287118794	50.0	84.0	75.0	90.0	221 X 190 X 616	35.8	3955
AHC-220 High pressure all soldering		Evaporator R404A	Evaporator R134a	Condenser R404A	Condenser R134a			
AHC-220EQ-36AM*** a)	3287118798	23.0	40.0	35.0	43.0	128 X 190 X 616	21	2325
AHC-220EQ-50AM*** a)	3287118799	33.0	57.0	50.0	60.0	157 X 190 X 616	26.2	2893
AHC-220EQ-68AM***	3287118800	45.0	76.0	70.0	85.0	194 X 190 X 616	32.4	3625
AHC-220EQ-86AM****	3287118801	56.0	94.0	90.0	105.0	233 X 190 X 616	38.9	4391
AHC-220EQ-102AM****	3287118802	65.0	-	105.0	125.0	266 X 190 X 616	44.5	5041
AHC-220EQ-118AM**** a)	3287118803	74.0	-	125.0	145.0	299 X 190 X 616	50.1	5681

- Product denomination: AC = AlfaChill line 32 bar, ACH = AlfaChill high pressure line 45 bar, EQ = integrated refrigerant distribution system.
- Direct expansion, R404A, evaporator temperature: -12 °C, 35% propylene glycol from -4 to -8 °C pressure drop max: 65 Kpa.
- Direct expansion, R134a, evaporator temperature: +2 °C, water from 12 to 7 °C, pressure drop max: 50 Kpa.
- Condenser, for R404A and R134a, condenser temperature: 45 °C, water from 37 to 42 °C, pressure drop max: 50 Kpa.

* Connections: S1/S2: 2" external thread (B23); S3: 7/8" soldering; S4: 2"1/8 soldering (D21).

** Connections: S1/S2: 2" external thread (B23), S3: 1"1/8 soldering; S4: 2"1/8 soldering (D21).

*** Connections: S1/S2: 42 mm soldering (D25), S3: 1"1/8 soldering; S4: 2"1/8 soldering (D21).

**** Connections: S1/S2: 2"1/8 soldering (D21), S3: 1"1/8 soldering; S4: 2"1/8 soldering (D21).

a) Will be available in stock from Q1/Q2 2014. For latest update, please contact your local Alfa Laval representative or check the webstock on-line.

AC-500 Single circuit – standard models

Easy to order brazed heat exchangers - article number based standard models.
All models are kept in stock.



Model	Article no.	Capacity (kW)	Capacity (kW)	Capacity (kW)	Capacity (kW)	Dimension L x W x H (mm)	Weight (kg)	Price
AC-500EQ Single circuit		Evaporator R404A	Evaporator R134a	Condenser R404A	Condenser R134a			
AC-500EQ-120H (M66,L35,C31)(P35-T1-T2)B*	3287076465	150.0	220.0	220.0	270.0	452 x 322 x 739	112.9	7585
AC-500EQ-150H (M66,L35,C31)(P35-T1-T2)B*	3287076466	180.0	-	270.0	320.0	506 X 322 X 739	138.1	8808
AC-500EQ-180H (M66,L35,C31)(P35-T1-T2)B*	3287076467	210.0	-	330.0	390.0	584 X 322 X 739	163.3	10027

- Product denomination: AC = AlfaChill line 32 bar, ACH = AlfaChill high pressure line 45 bar, EQ = integrated refrigerant distribution system.
- Direct expansion, R404A, evaporator temperature: -12 °C, 35% propylene glycol from -4 to -8 °C pressure drop max: 65 Kpa.
- Direct expansion, R134a, evaporator temperature: +2 °C, water from 12 to 7 °C, pressure drop max: 50 Kpa.
- Condenser, for R404A and R134a, condenser temperature: 45 °C, water from 37 to 42 °C, pressure drop max: 50 Kpa.

* Front connections: S1/S2: internal thread C31 (FBSP 1/2"), S3: soldering M66-M65-M64 (42.2 mm), S4: soldering L33 (2"5/8), L35 (3"1/8). Rear connections: T1/T2: Victaulic clamp P35 (3").



ACH16

The plate heat exchangers are quality secured according to DIN ISO9001 certif cate. All including components are made in acid proof stainless steel material and brazed in vacuum furnace using 100% copper filler material. The units are manufactured according to European Directive 97/23/EC, AFS 1999:4, and therefore pressure tested with air and leakage tested with helium.

Auxiliaries: Couplings and fastening device.

Pressure x Volume is too small for PED approval.

	PED
Design temperature °C min/max (S3/S4, S1/S2)	-160/+150
Design pressure (bar) (S3/S4, S1/S2)	45 , 45
Max nbr of plates available	60

HEAT EXCHANGER		Article no.	Price	Plate pack dimension (mm) LxWxH	Weight kg/unit
Connections					
S1/S2: ISO G 3/4" External thread					
S3/S4: 18 mm Soldering					
ACH16-14H (Z93,Z31)	S	3287102076	234	59 X 74 X 210	1.1
ACH16-28H (Z93,Z31)	S	3287102077	375	89 X 74 X 210	1.6

S = Stock unit

EXTRAS		Article no.	Price	Weight kg/unit	Comment
Screw fittings					
DN15 3/4"; Pipe: CS; Nut: CS. Gasket included, include 2 pcs	S	3456632401	20	0.1	Welding type
DN15 3/4"; Pipe: CS; Nut: CS. Gasket included, include 50 pcs	S	3456632402	441	3.0	
15 mm 3/4"; Pipe: Brass; Nut: CS. Gasket included, include 2 pcs	S	3456634601	32.2	0.2	Soldering type
Extra gasket fitting for 3/4" couplings, include 2 pcs	S	3456636101	2		

S = Stock unit



ACH18

The plate heat exchangers are quality secured according to DIN ISO9001 certificate. All including components are made in acid proof stainless steel material and brazed in vacuum furnace using 100% copper filler material. The units are manufactured according to European Directive 97/23/EC, AFS 1999:4, and therefore pressure tested with air and leakage tested with helium.

Auxiliaries: Couplings and fastening device.

Pressure x Volume is too small for PED approval.

	PED
Design temperature °C min/max (S3/S4, S1/S2)	-160/+150
Design pressure (bar) (S3/S4, S1/S2)	45 , 45
Max nbr of plates available	52

HEAT EXCHANGER		Article no.	Price	Plate pack dimension (mm) LxWxH	Weight kg/unit
Connections					
S3 Soldering 3/8"					
S1/S2/S4 Soldering 1/2"					
ACH18-10H (Z74, Z77, Z77)	S	3287102085	263	50 X 74 X 316	1.3
ACH18-16H (Z74, Z77, Z77)	S	3287102086	320	63 X 74 X 316	1.6
ACH18-20H (Z74, Z77, Z77)	S	3287102087	358	72 X 74 X 316	1.9
ACH18-24H (Z74, Z77, Z77)	S	3287102088	396	80 X 74 X 316	2.2
ACH18-28H (Z74, Z77, Z77)	S	3287102089	434	89 X 74 X 316	2.4
ACH18-32H (Z74, Z77, Z77)	S	3287102090	472	98 X 74 X 316	2.7

S = Stock unit

EXTRAS		Article no.	Price	Weight kg/unit	Comment
Screw fittings					
DN15 3/4"; Pipe: CS; Nut: CS. Gasket included, include 2 pcs	S	3456632401	20	0.1	Welding type
DN15 3/4"; Pipe: CS; Nut: CS. Gasket included, include 50 pcs	S	3456632402	441	3.0	
15 mm 3/4"; Pipe: Brass; Nut: CS. Gasket included, include 2 pcs	S	3456634601	32.2	0.2	Soldering type
Extra gasket fitting for 3/4" couplings, include 2 pcs	S	3456636101	2		

S = Stock unit



CB30 / CBH30

The plate heat exchangers are quality secured according to ISO9001 certif cate. All including components are made in acid proof stainless steel material and brazed in vacuum furnace using copper filler material. The units are manufactured according to European Directive 97/23/EC and therefore pressure tested with air and leakage tested with helium.

		PED
Design temperature °C min/max (S3/S4, S1/S2)	CB30	-196/+225
Design pressure (S3/S4, S1/S2) at 150°C	CB30	36 / 36
Max nbr of plates available	CB30	150
Design temperature °C min/max (S3/S4, S1/S2)	CBH30	-196/+225
Design pressure (S3/S4, S1/S2) at 150°C	CBH30	45 / 45
Max nbr of plates available	CBH30	150

HEAT EXCHANGER						Insulation type P	
Model		Article no.	Price	Plate pack dimension (mm) LxWxH	Weight kg/unit	Article no.	Price
Connections							
S3/S4: Soldering H21 (1"1/8)							
S1/S2: External thread B21 (BSP 1")							
CB30-10H (H21, B21)	S	3287083780	315	60 X 113 X 313	3.0	3456213901	56
CB30-14H (H21, B21)	S	3287083781	355	69 X 113 X 313	3.5	3456213901	56
CB30-20H (H21, B21)	S	3287083782	414	83 X 113 X 313	4.1	3456213902	58
CB30-24H (H21, B21)	S	3287083783	449	92 X 113 X 313	4.6	3456213902	58
CB30-30H (H21, B21)	S	3287083784	511	106 X 113 X 313	5.2	3456213903	60
CB30-34H (H21, B21)	S	3287083785	554	116 X 113 X 313	5.7	3456213903	60
CB30-40H (H21, B21)	S	3287083786	610	129 X 113 X 313	6.4	3456213904	62
CB30-50H (H21, B21)	S	3287083787	708	153 X 113 X 313	7.5	3456213905	64
CB30-60H (H21, B21)	S	3287083788	810	176 X 113 X 313	8.6	3456213906	66
CB30-70H (H21, B21)	S	3287083790	909	199 X 113 X 313	9.7	3456213907	69
CB30-100H (H21, B21)	S	3287083791	1203	268 X 113 X 313	13.0	3456213908	76
High pressure and all soldering units with stud bolts							
CBH30-30H-F (H21, H21)	S	3287094598	628	104 X 113 X 313	5.5	3456213903	60
CBH30-40H-F (H21, H21)	S	3287094599	723	127 X 113 X 313	6.6	3456213904	62
CBH30-50H-F (H21, H21)	S	3287094600	819	151 X 113 X 313	7.7	3456213905	64
CBH30-10L-F (H21, H21)	N	3287118923	412	58 X 113 X 313	3.2	3456213901	56
CBH30-20L-F (H21, H21)	N	3287099415	545	81 X 113 X 313	4.3	3456213902	58
CBH30-30L-F (H21, H21)	N	3287099416	665	104 X 113 X 313	5.5	3456213903	60
High pressure units							
CBH30-20H-F (H21, B21)	N	3287094601	512	81 X 113 X 313	4.4	3456213902	58
CBH30-30H-F (H21, B21)	N	3287094602	607	104 X 113 X 313	5.5	3456213903	60
CBH30-40H-F (H21, B21)	N	3287094603	701	127 X 113 X 313	6.6	3456213904	62
CBH30-50H-F (H21, B21)	N	3287094604	797	151 X 113 X 313	7.7	3456213905	64

S = Stock unit

N = Non stocked unit. Delivery time depending on volume and model. For accurate delivery time, please visit the Global Delivery Time list online. If no access to the web, application for registration to online tools or for additional questions, please contact your Alfa Laval sales representative.

EXTRAS		Article no.	Price	Weight kg/unit	Comment
Protective insulation type P					
Prefabricated insulation jacket with 19 mm closed cell expanded elastomer with 0.5 mm external PVC protection layer.					
Max temperature 110°C. Min. temperature -45°C					
10-14 plates	S	3456213901	56	0.1	
20-24 plates	S	3456213902	58	0.2	
30-34 plates	S	3456213903	60	0.2	
40 plates	S	3456213904	62	0.2	
50 plates	S	3456213905	64	0.2	
70 plates	S	3456213907	69	0.3	
100 plates	S	3456213908	76	0.4	
Wall mounting bracket	S	3236020426	114	0.7	Not suitable together with insulation.
(Rubber coated clamp, to be assembled around the plate package)					
Screw fittings					
DN20 1"; Pipe: CS; Nut: CS. Gasket included, include 2 pcs	S	3456632201	24	0.3	Welding type
DN20 1"; Pipe: CS; Nut: CS. Gasket included, include 50 pcs	S	3456632202	540	8.0	
22 mm 1"; Pipe: Brass; Nut: CS. Gasket included, include 2 pcs	S	3456634501	35	0.2	Soldering type
22 mm 1"; Pipe: Brass; Nut: CS. Gasket included, include 50 pcs	S	3456634502	788	6.0	
Extra gasket fitting for 1" couplings include 2 pcs	S	3456636001	2.6		

S = Stock unit

AC-30 / ACH-30



The plate heat exchangers are quality secured according to DIN ISO9001 cert cate. All including components are made in acid proof stainless steel material and brazed in vacuum furnace using 100% copper filler material. The units are manufactured according to European Directive 97/23/EC, AFS 1999:4, and therefore pressure tested with air and leakage tested with helium. Auxiliaries: Insulations, couplings and fastening device.

		PED
Design temperature °C min/max (S3/S4, S1/S2)	AC-30	-196/+225
Design pressure (S3/S4, S1/S2) at 150°C	AC-30	32, 32
Max nbr of plates available	AC-30	120
Design temperature °C min/max (S3/S4, S1/S2)	ACH-30	-196/+225
Design pressure (S3/S4, S1/S2) at 150°C	ACH-30	45, 45
Max nbr of plates available	ACH-30	120

HEAT EXCHANGER						Insulation type P	
Model		Article no.	Price	Plate pack dimension (mm) LxWxH	Weight kg/unit	Article no.	Price
Connections							
S1/S2: B21 BSP 1" External thread							
S3: H24 (1/2") - H62 (1/2") - H65 H66 H67 (5/8")							
S4: H41 (1" 1/8) - H23 (7/8") Soldering connections							
AC-30-80EQ (H66,H41,B21)	N	3288101406	813	155 X 95 X 325	8.4	3456214006	67
AC-30-90EQ (H67,H41,B21)	N	3288101407	893	170 X 95 X 325	8.9	3456214007	71
Units with stud bolts and 6 connections. Extra B21 (BSP 1") in T1/T2							
AC-30-20EQ (H24,H23,B21) (B21,T1,T2) B	N	3288153701	396	87 X 95 X 325	3.1	3456214002	60
AC-30-24EQ (H24,H23,B21) (B21,T1,T2) B	N	3288153702	441	93 X 95 X 325	3.4	3456214002	60
AC-30-30EQ (H62,H23,B21) (B21,T1,T2) B	N	3288101028	488	103 X 95 X 325	3.9	3456214003	62
AC-30-36EQ (H62,H23,B21) (B21,T1,T2) B	N	3288101029	532	112 X 95 X 325	4.4	3456214003	62
AC-30-40EQ (H62,H23,B21) (B21,T1,T2) B	N	3288101030	562	118 X 95 X 325	4.8	3456214004	64
AC-30-44EQ (H62,H23,B21) (B21,T1,T2) B	N	3288101031	593	124 X 95 X 325	5.1	3456214004	64
AC-30-54EQ (H65,H41,B21) (B21,T1,T2) B	N	3288101409	668	139 X 95 X 325	6.0	3456214005	65
AC-30-60EQ (H65,H41,B21) (B21,T1,T2) B	N	3288101410	714	148 X 95 X 325	6.5	3456214005	65
AC-30-70EQ (H66,H41,B21) (B21,T1,T2) B	N	3288101411	789	163 X 95 X 325	7.4	3456214006	67
AC-30-80EQ (H66,H41,B21) (B21,T1,T2) B	N	3288101412	866	179 X 95 X 325	8.2	3456214006	67
AC-30-90EQ (H67,H41,B21) (B21,T1,T2) B	N	3288101413	942	194 X 95 X 325	9.1	3456214007	71
AC-30-100EQ (H67,H41,B21) (B21,T1,T2) B	N	3288101414	1016	209 X 95 X 325	10.0	3456214007	71

N = Non stocked unit. Delivery time depending on volume and model. For accurate delivery time, please visit the Global Delivery Time list online. If no access to the web, application for registration to online tools or for additional questions, please contact your Alfa Laval sales representative.

EXTRAS		Article no.	Price	Weight kg/unit	Comment
Kit/Adaptor for sensor					
1" to 1/2" adaptor for water connect. B21	S	34561116-01	19		
Kit/Blind plug					
1" plug to close water connect. B21	S	34561115-01	17		
Screw fittings					
DN20 1"; Pipe: CS; Nut: CS. Gasket included, include 2 pcs	S	3456632201	24	0.3	Welding type
DN20 1"; Pipe: CS; Nut: CS. Gasket included, include 50 pcs	S	3456632202	540	8.0	
22 mm 1"; Pipe: Brass; Nut: CS. Gasket included, include 2 pcs	S	3456634501	35	0.2	Soldering type
22 mm 1"; Pipe: Brass; Nut: CS. Gasket included, include 50pcs	S	3456634502	788	6.0	
Extra gasket fitting for 1" couplings include 2 pcs	S	3456636001	2.6		
Extra gasket fitting for 1" couplings include 50 pcs	S	3456636002	59	0.1	
Protective insulation type P					
Prefabricated insulation jacket with 19 mm closed cell expanded elastomer with 0.5 mm external PVC protection layer.					
Max. temperature: 100°C / Min. temperature: -45°C					
10-14 plates	S	3456214001	59	0.2	
20-24 plates	S	3456214002	60	0.1	
30-36 plates	S	3456214003	62	0.1	
40-44 plates	S	3456214004	64	0.2	
50-54 plates	S	3456214005	65	0.2	
70-80 plates	S	3456214006	67	0.2	
90-110 plates	S	3456214007	71	0.3	

S = Stock unit



CB60 / CBH60

The plate heat exchangers are quality secured according to DIN ISO9001 certifi cate. All including components are made in acid proof stainless steel material and brazed in vacuum furnace using copper filler material. The units are manufactured according to European Directive 97/23/EC, AFS 1999:4, and therefore pressure tested with air and leakage tested with helium.

		PED	
Design temperature °C min/max (S3/S4, S1/S2)	CB60	-196/+225	
Design pressure (S3/S4, S1/S2) at 150°C	CB60	36 , 36	
Max nbr of plates available	CB60	150	
Design temperature °C min/max (S3/S4, S1/S2)	CBH60	-196/+225	
Design pressure (S3/S4, S1/S2) at 150°C	CBH60	45, 45	
Max nbr of plates available	CBH60	150	

HEAT EXCHANGER		Article no.	Price	Plate pack dimension (mm) LxWxH	Weight kg/unit
4 connections with stud bolts					
Connections					
S3/S4: Soldering H21 (1"1/8)					
S1/S2: External thread B21 (BSP 1")					
CB60-10H-F (H21,B21)	S	3287079131	427	60 X 113 X 527	4.5
CB60-14H-F (H21,B21)	N	3287079132	487	69 X 113 X 527	5.2
CB60-20H-F (H21,B21)	S	3287079133	578	83 X 113 X 527	6.3
CB60-26H-F (H21,B21)	N	3287079134	668	97 X 113 X 527	7.4
CB60-30H-F (H21,B21)	S	3287079135	727	107 X 113 X 527	8.1
CB60-40H-F (H21,B21)	S	3287079136	877	130 X 113 X 527	9.8
CB60-50H-F (H21,B21)	S	3287079137	1026	153 X 113 X 527	11.6
CB60-60H-F (H21,B21)	S	3287079138	1176	176 X 113 X 527	13.3
CB60-70H-F (H21,B21)	S	3287087333	1329	199 X 113 X 527	15.1
CB60-80H-F (H21,B21)	S	3287087334	1473	223 X 113 X 527	16.9
High pressure units					
CBH60-10H-F (H21,B21)	N	3287105036	513	60 X 113 X 527	4.5
CBH60-20H-F (H21,B21)	N	3287094503	595	83 X 113 X 527	6.3
CBH60-40H-F (H21,B21)	N	3287094504	912	130 X 113 X 527	9.8
CBH60-60H-F (H21,B21)	N	3287094505	1228	176 X 113 X 527	13.3
CBH60-80H-F (H21,B21)	N	3287094508	1544	223 X 113 X 527	16.9

S = Stock unit

N = Non stocked unit. Delivery time depending on volume and model. For accurate delivery time, please visit the Global Delivery Time list online. If no access to the web, application for registration to online tools or for additional questions, please contact your Alfa Laval sales representative.

EXTRAS		Article no.	Price	Weight kg/unit
Kit/Adaptor for sensor				
1" to 1/2" adaptor for water connect. B21	S	3456111601	23	0.1
Kit/Blind plug				
1" plug to close water connect. B21	S	3456111501	19	0.1
Insulation type P				
Max. temperature 100°C. Min. temperature -45°C				
Max 20 plates	S	3456214101	70	0.3
Max 34 plates	S	3456214102	74	0.3
Max 40 plates	S	3456214103	77	0.4
Max 50 plates	S	3456214104	80	0.4
Max 60 plates	S	3456214105	83	0.4
Max 80 plates	S	3456214107	89	0.5
Wall mounting bracket				
(Not suitable together with insulation.)	S	3236020426	114	0.7
Rubber coated clamp, to be assembled around the plate package.				

S = Stock unit



AC-70 / ACH-70

The plate heat exchangers are quality secured according to DIN ISO9001 cert cate. All including components are made in acid proof stainless steel material and brazed in vacuum furnace using 100% copper filler material. The units are manufactured according to European Directive 97/23/EC, AFS 1999:4, and therefore pressure tested with air and leakage tested with helium. Auxiliaries: Insulations, couplings and fastening device.

		PED	
Design temperature °C min/max (S3/S4, S1/S2)	AC-70	-196/+150	
Design pressure (S3/S4, S1/S2) at 150°C	AC-70	32, 32	
Max nbr of plates available	AC-70	150	
Design temperature °C min/max (S3/S4, S1/S2)	ACH-70	-196/+150	
Design pressure (S3/S4, S1/S2) at 150°C	ACH-70	45, 45	
Max nbr of plates available	ACH-70	150	

HEAT EXCHANGER						Insulation type P	
Model		Article no.	Price	Plate pack dimension (mm) LxWxH	Weight kg/unit	Article no.	Price
Connections							
S3: Soldering H39 G65 G67 G68 (16.1 mm), N60 H30 (22.3 mm)							
S4: Soldering H21 (1" 1/8), H34 (1" 3/8)							
S1/S2: External thread B32 (BSP 1"), B32 (BSP 1" 1/4)							
AC-70X-12M (H39,H21,B21)	N	3287065785	431	63 X 111 X 526	4.3		
AC-70X-90M (N60,H34,B32)	N	3287065794	1728	242 X 111 X 526	18.4	3456214108	92
AC-70X-110M (H30,H34,B32)	N	3287065796	2043	288 X 111 X 526	22.0	3456214110	125
Units with stud bolts and 6 connections. Extra B21 (BSP 1"), B32 (BSP 1"1/4) in T1/T2							
AC-70X-20M (H39,H21,B21)(B21,T1,T2)B	S	3287065799	600	99 X 111 X 526	6.4	3456214101	70
AC-70X-30M (G65,H21,B21)(B21,T1,T2)B	S	3287065800	760	122 X 111 X 526	8.2	3456214102	74
AC-70X-40M (G67,H21,B21)(B21,T1,T2)B	S	3287065801	922	145 X 111 X 526	10.0	3456214103	77
AC-70X-50M (G67,H34,B32)(B32,T1,T2)B	S	3287065802	1135	168 X 111 X 526	12.2	3456214104	80
AC-70X-60M (G68,H34,B32)(B32,T1,T2)B	N	3287065803	1298	191 X 111 X 526	13.2	3456214105	83
AC-70X-70M (G68,H34,B32)(B32,T1,T2)B	S	3287065804	1461	214 X 111 X 526	15.8	3456214106	86
AC-70X-80M (N60,H34,B32)(B32,T1,T2)B	N	3287065805	1630	237 X 111 X 526	16.8	3456214107	89
AC-70X-90M (N60,H34,B32)(B32,T1,T2)B	S	3287065806	1791	260 X 111 X 526	19.4	3456214108	92
AC-70X-100M (H30,H34,B32)(B32,T1,T2)B	N	3287065807	1945	283 X 111 X 526	20.4	3456214109	124
AC-70X-110M (H30,H34,B32)(B32,T1,T2)B	N	3287065808	2106	306 X 111 X 526	22.2	3456214110	125
AC-70X-120M (H30,H34,B32)(B32,T1,T2)B	N	3287065809	2270	329 X 111 X 526	24.0	3456214111	137
High pressure units. Connections: S3 Soldering D64 D63 (16.1 mm), N60 (22.3 mm). S4 Soldering H23 (7/8"), H21 (1"1/8), H34 (1"3/8)							
ACH-70X-20M (D64,H23,B21)	N	3287065814	587	81 X 111 X 526	5.7	3456214101	70
ACH-70X-40M (D63,H21,B21)	N	3287065815	922	127 X 111 X 526	9.3	3456214103	77
ACH-70X-60M (D63,H34,B32)	N	3287065816	1286	173 X 111 X 526	13.0	3456214105	83
ACH-70X-80M (N60,H34,B32)	N	3287065817	1630	219 X 111 X 526	16.6	3456214107	89
ACH-70X-100M (N60,H34,B32)	N	3287065818	1967	265 X 111 X 526	20.2	3456214109	124
ACH-70X-120M (N60,H34,B32)	N	3287065819	2303	311 X 111 X 526	23.8	3456214111	137
High pressure units all soldering with stud bolts. Connections: S3 Soldering G67 G68 (16.1 mm), N60 H30 (22.3 mm). S4 Soldering H34 (1"3/8). S1/S2 Soldering H21 (1"1/8), H38 (1"3/8)							
ACH-70X-120H (H30,H34,H38)B	N	3287065936	2297	311 X 111 X 526	23.7	3456214111	137

S = Stock unit

N = Non stocked unit. Delivery time depending on volume and model. For accurate delivery time, please visit the Global Delivery Time list online. If no access to the web, application for registration to online tools or for additional questions, please contact your Alfa Laval sales representative.

AC-70 / ACH-70 Extras

EXTRAS		Article no.	Price	Weight kg/unit	Comment
Protective insulation type P					
Prefabricated insulation jacket with 19 mm closed cell expanded elastomer with 0.5 mm external PVC protection layer. Max. temperature: 100°C Min. temperature: -45°C. For sizes and article numbers, please look under extras for CB60.					
Screw fittings					
DN20 1"; Pipe: CS; Nut: CS. Gasket included, include 2 pcs	S	3456632201	24	0.3	Welding type. Fits B21
DN20 1"; Pipe: CS; Nut: CS. Gasket included, include 50 pcs	S	3456632202	540	8.0	
22 mm 1"; Pipe: Brass; Nut: CS. Gasket included, include 2 pcs	S	3456634501	35	0.2	Soldering type. Fits B21
22 mm 1"; Pipe: Brass; Nut: CS. Gasket included, include 50 pcs	S	3456634502	788	6.0	
DN25 1¼"; Pipe: CS; Nut: CS. Gasket included, include 2 pcs	S	3456631901	33	0.4	Welding type. Fits B32
DN25 1¼"; Pipe: CS; Nut: CS. Gasket included, include 50 pcs	S	3456631902	743	10.8	
28 mm 1 ¼"; Pipe: Brass; Nut: CS. Gasket included, include 2 pcs	S	3456632101	44	0.4	Soldering type. Fits B32
28 mm 1 ¼"; Pipe: Brass; Nut: CS. Gasket included, include 50 pcs	S	3456632102	990	10.8	
Extra gasket fitting for 1" couplings, include 2 pcs	S	3456636001	2.6		
Extra gasket fitting for 1" couplings, include 50 pcs	S	3456636002	59	0.1	
Extra gasket fitting for 1 ¼" couplings, include 2 pcs	S	3456635901	3.2		
Insulation type P					
Max. temperature 100°C. Min. temperature -45°C					
Max 20 plates	S	3456214101	70	0.3	
Max 34 plates	S	3456214102	74	0.3	
Max 40 plates	S	3456214103	77	0.4	
Max 50 plates	S	3456214104	80	0.4	
Max 60 plates	S	3456214105	83	0.4	
Max 80 plates	S	3456214107	89	0.5	

S = Stock unit



CB110

The plate heat exchangers are quality secured according to DIN ISO9001 certifi cate. All including components are made in acid proof stainless steel material and brazed in vacuum furnace using 100% copper filler material. The units are manufactured according to European Directive 97/23/EC, AFS 1999:4, and therefore pressure tested with air and leakage tested with helium.

Auxiliaries: Couplings and fastening device.

This product replaces CB76, conversion tables can be found on www.alfalaval.com.

	PED
Design temperature °C min/max (S3/S4, S1/S2)	-196/+225
Design pressure (S3/S4, S1/S2) at 150°C	27, 27
Max nbr of plates available	240

HEAT EXCHANGER		Article no.	Price	Plate pack dimension (mm) LxWxH	Weight kg/unit
Connections					
S1/S2: BSP 2" External thread					
S3/S4: 2"1/8 Soldering connections with stud bolts					
Special units to be used as desuperheater or oil cooler					
L-channels					
CB110L-20L (D21,B23)	S	3287118746	1399	114 X 191 X 616	14.9
CB110-30L (D21,B23)	S	3287118747	1716	140 X 191 X 616	18.1
CB110-40L (D21,B23)	S	3287118748	2031	165 X 191 X 616	21.6
CB110-50L (D21,B23)	S	3287118749	2346	191 X 191 X 616	24.9
CB110-60L (D21,B23)	S	3287118750	2662	217 X 191 X 616	28.1
CB110-70L (D21,B23)	N	3287118751	2978	242 X 191 X 616	31.3
CB110-80L (D21,B23)	N	3287118752	3302	268 X 191 X 616	34.6
CB110-90L (D21,B23)	N	3287118753	3624	293 X 191 X 616	37.8
CB110-100L (D21,B23)	N	3287118754	3940	319 X 191 X 616	41.0
M-channels					
CB110-20M (D21,B23)	N	3287118755	1399	114 X 191 X 616	14.9
CB110-30M (D21,B23)	S	3287118756	1716	140 X 191 X 616	18.1
CB110-40M (D21,B23)	N	3287118757	2031	165 X 191 X 616	21.6
CB110-50M (D21,B23)	N	3287118758	2346	191 X 191 X 616	24.9
CB110-60M (D21,B23)	N	3287118759	2662	217 X 191 X 616	28.1
CB110-70M (D21,B23)	N	3287118760	2978	242 X 191 X 616	31.3
CB110-80M (D21,B23)	N	3287118761	3302	268 X 191 X 616	34.6
CB110-90M (D21,B23)	N	3287118762	3624	293 X 191 X 616	37.8
CB110-100ML (D21,B23)	N	3287118763	3940	319 X 191 X 616	41.0

S = Stock unit

N = Non stocked unit. Delivery time depending on volume and model. For accurate delivery time, please visit the Global Delivery Time list online. If no access to the web, application for registration to online tools or for additional questions, please contact your Alfa Laval sales representative.



CB112

The plate heat exchangers are quality secured according to DIN ISO9001 certif cate. All including components are made in acid proof stainless steel material and brazed in vacuum furnace using 100% copper filler material. The units are manufactured according to European Directive 97/23/EC, AFS 1999:4, and therefore pressure tested with air and leakage tested with helium.

Auxiliaries: Couplings and fastening device.

CB112 has replaced CB77, conversion tables can be found on www.alfalaval.com.

Design temperature °C min/max (S3/S4, S1/S2) Design pressure (S3/S4, S1/S2) at 150°C Max nbr of plates available	PED
	-196/+225
	32, 32
	300

HEAT EXCHANGER		Article no.	Price	Plate pack dimension (mm) LxWxH	Weight kg/unit
Connections					
S1/S2: BSP 2" External thread					
S3/S4: 2"1/8 Soldering connections					
AM-channels					
CB112-16AM (D21,B23)F1	S	3287118397	1421	97 X 191 X 616	14.0
CB112-26AM (D21,B23)F1	S	3287118398	1797	118 X 191 X 616	17.5
CB112-34AM (D21,B23)F1	S	3287118399	2096	134 X 191 X 616	20.3
CB112-42AM (D21,B23)F1	S	3287118400	2393	151 X 191 X 616	23.1
CB112-52AM (D21,B23)F1	S	3287118401	2770	171 X 191 X 616	26.8
CB112-60AM (D21,B23)F1	S	3287118402	3069	188 X 191 X 616	29.6
CB112-68AM (D21,B23)F1	S	3287118403	3376	204 X 191 X 616	32.4
CB112-76AM (D21,B23)F1	N	3287118404	3683	221 X 191 X 616	35.2
CB112-86AM (D21,B23)F1	N	3287118405	4058	241 X 191 X 616	38.7
AH-channels					
CB112-24AH (D21,B23)	N	3287118407	1660	113 X 191 X 616	16.8
CB112-32AH (D21,B23)	S	3287118408	1960	130 X 191 X 616	19.6
CB112-40AH (D21,B23)	S	3287118409	2260	146 X 191 X 616	22.4
CB112-48AH (D21,B23)	S	3287118410	2559	163 X 191 X 616	25.4
CB112-64AH (D21,B23)	S	3287118412	3160	196 X 191 X 616	31.0
CB112-80AH (D21,B23)	S	3287118414	3760	229 X 191 X 616	36.6
CB112-96AH (D21,B23)	S	3287118416	4360	262 X 191 X 616	42.2
CB112-112AH (D21,B23)	S	3287118703	4960	295 X 191 X 616	47.8
CB112-128AH (D21,B23)	N	3287118704	5560	328 X 191 X 616	53.4
CB112-144AH (D21,B23)	N	3287118705	6160	361 X 191 X 616	58.9

S = Stock unit

N = Non stocked unit. Delivery time depending on volume and model. For accurate delivery time, please visit the Global Delivery Time list online. If no access to the web, application for registration to online tools or for additional questions, please contact your Alfa Laval sales representative.



CB110 / CB112 Extras

EXTRAS		Article no.	Price	Weight kg/unit	Comment
Kit/Adaptor for sensor					
2" to 1/2" adaptor for water connect. B23	S	3456111401	43	0.3	
Kit/Blind plug					
2" plug to close water connection B23	S	3456111301	24	0.3	
Rigid feet					
Rigid feet	S	3456544501	190	3.8	
Screw fittings					
DN50 2"; Pipe: CS; Nut: CS. Gasket included, include 2 pcs	S	3456631601	64	1.1	Welding type
DN50 2"; Pipe: CS; Nut: CS. Gasket included, include 30 pcs	S	3456631602	869	15.8	
DN40 2"; Pipe: CS; Nut: CS. Gasket included, include 2 pcs	S	3456632501	72	1.1	Welding type
DN40 2"; Pipe: CS; Nut: CS. Gasket included, include 30pcs	S	3456632502	972	15.8	
42 mm Pipe: Brass; Nut: CS, Nut: CS. Gasket included include 2 pcs	S	3456634401	120	0.8	
54 mm Pipe: Brass; Nut: CS, Nut: CS. Gasket included include 2 pcs	S	3456631801	130	0.9	
Extra gasket fitting for 2" couplings, include 2 pcs	S	3456639901	4.8		Soldering type
Extra gasket fitting for 2" couplings, include 50 pcs	S	3456639902	108	0.2	Soldering type
Extra gasket fitting for 2½" couplings, include 2 pcs	S	3456640001	4.8		Soldering type
Protective insulation type P					
Prefabricated insulation jacket with 19 mm closed cell expanded elastomer with 0.5 mm external PVC protection layer.					
Max. temperature: 100°C / Min. temperature: -45°C					
Max 30 plates	S	3456539301	90	0.7	
Max 40 plates	S	3456539302	94	0.7	
Max 50 plates	S	3456539303	100	0.8	
Max 60 plates	S	3456539304	104	0.8	
Max 70 plates	S	3456539305	109	0.9	
Max 80 plates	S	3456539306	114	0.9	
Max 90 plates	S	3456539307	117	1.0	
Max 100 plates	S	3456539308	120	1.0	
Max 110 plates	S	3456539309	124	1.1	
Max 120 plates	S	3456539310	128	1.1	
Max 130 plates	S	3456539311	133	1.2	
Max 140plates	S	3456539312	136	1.2	
Max 150 plates	S	3456539313	140	1.3	

S = Stock unit



AC-120 / ACH-120

The plate heat exchangers are quality secured according to DIN ISO9001 certif cate. All including components are made in acid proof stainless steel material and brazed in vacuum furnace using 100% copper filler material. The units are manufactured according to European Directive 97/23/EC, AFS 1999:4, and therefore pressure tested with air and leakage tested with helium.

Auxiliaries: Insulations, couplings and fastening device.
See table below.

This product is being replaced by AC-220, see more details on the next page.

		PED
Design temperature °C min/max (S3/S4, S1/S2)	AC-120	-196/+150
Design pressure (S3/S4, S1/S2) at 150°C	AC-120	32, 32
Max nbr of plates available	AC-120	230
Design temperature °C min/max (S3/S4, S1/S2)	ACH-120	-196/+120
Design pressure (S3/S4, S1/S2) at 120°C	ACH-120	45, 43
Max nbr of plates available	ACH-120	200

HEAT EXCHANGER						Insulation type P	
Model		Article no.	Price	Plate pack dimension (mm) LxWxH	Weight kg/unit	Article no.	Price
Connections							
S1/S2: B23 BSP 2" External thread							
S3: H57 (7/8") - L54 L55 L56 (1" 1/8)							
S4: D21 (2" 1/8) Soldering							
AC-120-40EQ (H57,D21,B23)	N*	3288112087	2135	153 X 192 X 617	26.6	3456214203	94
AC-120-50EQ (L54,D21,B23)	N*	3288112088	2481	177 X 192 X 617	31.2	3456214204	100
AC-120-60EQ (L54,D21,B23)	N*	3288112089	2828	200 X 192 X 617	35.6	3456214205	104
AC-120-70EQ (L54,D21,B23)	N*	3288112090	3174	224 X 192 X 617	40.1	3456214206	109
AC-120-90EQ (L55,D21,B23)	N*	3288112091	3863	271 X 192 X 617	48.9	3456214208	117
AC-120-110EQ (L55,D21,B23)	N*	3288112092	4552	318 X 192 X 617	57.7	3456214210	124
6 connections with stud bolts							
AC-120-50EQ (L54,D21,B23)(B23,T1,T2)B	N*	3288112094	2724	220 X 192 X 617	31.9	3456214204	100
AC-120-60EQ (L54,D21,B23)(B23,T1,T2)B	N*	3288112095	3067	243 X 192 X 617	36.4	3456214205	104
AC-120-90EQ (L55,D21,B23)(B23,T1,T2)B	N*	3288112097	4104	314 X 192 X 617	49.6	3456214208	117
AC-120-110EQ (L55,D21,B23)(B23,T1,T2)B	N*	3288112098	4698	361 X 192 X 617	58.4	3456214210	124
AC-120-130EQ (L56,D21,B23)(B23,T1,T2)B	N*	3288113107	5213	408 X 192 X 617	67.6	3456214212	133
AC-120-150EQ (L56,D21,B23)(B23,T1,T2)B	N*	3288113106	5869	455 X 192 X 617	76.4	3456214214	140
High pressure units all soldering							
Connections							
S1/S2: D25 (42 mm) - D21 (2" 1/8)							
S3: L54 L55 L56 L63 (1" 1/8)							
S4: D21 (2" 1/8) Soldering							
ACH-120-60EQ (L54,D21,D25)	N*	3288170017	2834	192 X 192 X 617	35.2	3456214205	104
ACH-120-80EQ (L54,D21,D25)	N*	3288170018	3484	239 X 192 X 617	44.0	3456214207	114
ACH-120-100EQ (L55,D21,D21)	N*	3288170019	4413	286 X 192 X 617	52.9	3456214209	120
ACH-120-120EQ (L55,D21,D21)	N*	3288170020	5110	333 X 192 X 617	61.8	3456214211	128
ACH-120-140EQ (L56,D21,D21)	N*	3288170021	5809	380 X 192 X 617	71.0	3456214213	136

N* = Phase out product, will be replaced by AC220 and stock will no longer be refilled, for accurate stock levels, please visit the webstock online.



AC-220 / ACH-220

The plate heat exchangers are quality secured according to DIN ISO9001 cert cate. All including components are made in acid proof stainless steel material and brazed in vacuum furnace using 100% copper filler material. The units are manufactured according to European Directive 97/23/EC, AFS 1999:4, and therefore pressure tested with air and leakage tested with helium.

Auxiliaries: Insulations, couplings and fastening device.
See table below.

New product - increased efficiency! These new efficient products replace AC-120. Please consult the generic conversion table on the next page to find equivalent stocked unit. If you need help to find the optimal product for your duty, please contact your sales contact.

		PED	
Design temperature °C min/max (S3/S4, S1/S2)	AC-220	-196/+225	
Design pressure (S3/S4, S1/S2) at 150°C	AC-220	32, 32	
Max nbr of plates available	AC-220	300	
Design temperature °C min/max (S3/S4, S1/S2)	ACH-220	-196/+120	
Design pressure (S3/S4, S1/S2) at 150°C	ACH-220	45, 36	
Max nbr of plates available	ACH-220	300	

HEAT EXCHANGER						Insulation type P	
Model		Article no.	Price	Plate pack dimension (mm) LxWxH	Weight kg/unit	Article no.	Price
Standard pressure							
Connections							
S1/S2: 2" External thread (B23)							
S3: 7/8" Soldering							
S4: 2" 1/8 Soldering (D21)							
AC-220EQ-18AM	N	3287118768	1518	101 X 190 X 616	14.0	3456539301	90
AC-220EQ-24AM	N	3287118769	1738	113 X 190 X 616	16.0	3456539301	90
AC-220EQ-30AM	N	3287118770	1958	126 X 190 X 616	18.1	3456539301	90
Standard pressure, 6 connections with stud bolts							
Connections							
S1/S2: 2" External thread (B23)							
S4: 2" 1/8" Soldering (D21)							
T1/T2: 2" External thread (B23)							
AC-220EQ-36AM (S3: 7/8" Soldering)	N	3287118780	2272	176 X 190 X 616	21.2	3456539302	94
AC-220EQ-42AM (S3: 1" 1/8 Soldering)	S	3287118781	2499	189 X 190 X 616	23.3	3456539303	100
AC-220EQ-50AM (S3: 1" 1/8 Soldering)	S	3287118782	2793	205 X 190 X 616	26.1	3456539303	100
AC-220EQ-60AM (S3: 1" 1/8 Soldering)	N	3287118783	3158	226 X 190 X 616	29.6	3456539304	104
AC-220EQ-76AM (S3: 1" 1/8 Soldering)	S	3287118784	3744	259 X 190 X 616	35.2	3456539306	114
AC-220EQ-94AM (S3: 1" 1/8 Soldering)	S	3287118785	4403	296 X 190 X 616	41.5	3456539308	120
AC-220EQ-110AM (S3: 1" 1/8 Soldering)	S	3287118786	4981	329 X 190 X 616	47.1	3456539309	124
AC-220EQ-128AM (S3: 1" 1/8 Soldering)	S	3287118787	5639	366 X 190 X 616	53.3	3456539311	133
High pressure							
Connections							
S1/S2: 2" External thread (B23)							
S4: 2" 1/8" Soldering (D21)							
ACH-220EQ-24AM (S3: 7/8" Soldering)	N	3287118788	1835	113 X 190 X 616	17.4	3456539301	90
ACH-220EQ-36AM (S3: 7/8" Soldering)	N	3287118789	2322	138 X 190 X 616	21.6	3456539302	94
ACH-220EQ-50AM (S3: 1" 1/8 Soldering)	N	3287118791	2900	167 X 190 X 616	26.7	3456539303	100
ACH-220EQ-68AM (S3: 1" 1/8 Soldering)	N	3287118793	3631	204 X 190 X 616	33.0	3456539305	109
ACH-220EQ-86AM (S3: 1" 1/8 Soldering)	N	3287118795	4361	241 X 190 X 616	39.3	3456539307	117
ACH-220EQ-102AM (S3: 1" 1/8 Soldering)	N	3287118796	5011	274 X 190 X 616	44.9	3456539309	124
High pressure units all soldering							
Connections							
S1/S2: 2" 1/8 Soldering (D21)							
S3: 1" 1/8 Soldering							
S4: 2" 1/8 Soldering (D21)							
ACH-220EQ-136AM	N	3287118804	6421	336 X 190 X 616	56.4	3456539312	136
ACH-220EQ-162AM	N	3287118805	7477	390 X 190 X 616	65.9	-	

S = Stock unit

N = Non stocked unit. Delivery time depending on volume and model. For accurate delivery time, please visit the Global Delivery Time list online. If no access to the web, application for registration to online tools or for additional questions, please contact your Alfa Laval sales representative.

AC-220 / ACH-220 Extras

EXTRAS		Article no.	Price	Weight kg/unit	Comment
Protective insulation type P					
Prefabricated insulation jacket with 19 mm closed cell expanded elastomer with 0.5 mm external PVC protection layer. Max. temperature: 100°C Min. temperature: -45°C. For item number and sizes, please look at extras for CB112.					
Kit/Adaptor for sensor					
2" to 1/2" adaptor for water connect. B23	S	3456111401	43	0.3	
Kit/Blind plug					
2" plug to close water connection B23	S	3456111301	24	0.3	
Rigid feet					
Rigid feet	S	3456544501	190	3.8	
Screw fittings					
DN50 2"; Pipe & Nut: CS Gasket included include 2 pcs	S	3456631601	64	1.1	Welding type
DN50 2"; Pipe & Nut: CS Gasket included include 30pcs	S	3456631602	869	15.8	
DN40 2"; Pipe & Nut: CS Gasket included include 2 pcs	S	3456632501	72	1.1	
DN40 2"; Pipe & Nut: CS Gasket included, include 30pcs	S	3456632502	972	15.8	
42 mm Pipe: Brass; Nut: CS. Gasket included, include 2 pcs	S	3456634401	120	0.8	
54 mm Pipe: Brass; Nut: CS. Gasket included, include 2 pcs	S	3456631801	130	0.9	Soldering type
Extra gasket fitting for 2" couplings, include 2 pcs	S	3456639901	4.8		
Extra gasket fitting for 2" couplings, include 50 pcs	S	3456639902	108	0.2	
Extra gasket fitting for 2½" couplings, include 2 pcs	S	3456640001	4.8		

S = Stock unit

Conversion table	
AC120H	AC220 AM
20	18
28	24
34	30
40	36
50	42
60	50
70	60
80	68
90	76
100	87
110	94
120	102
130	110
140	118
150	128
160	136
190	162



AC-230EQ / ACH-230EQ Single circuit

The plate heat exchangers are quality secured according to DIN ISO9001 cert. cate. All including components are made in acid proof stainless steel material and brazed in vacuum furnace using copper filler material. The units are manufactured according to European Directive 97/23/EC, AFS 1999:4, and therefore pressure tested with air and leakage tested with helium.

		PED
Design temperature °C min/max (S3/S4, S1/S2)	AC-230EQ	-196/+150, -196/+150
Design pressure (bar) (S3/S4, S1/S2)	AC-230EQ	32, 32
Max nbr of plates available	AC-230EQ	250
Design temperature °C min/max (S3/S4, S1/S2)	ACH-230EQ	-196/+150, -196/+150
Design pressure (bar) (S3/S4, S1/S2)	ACH-230EQ	45, 45
Max nbr of plates available	ACH-230EQ	250

HEAT EXCHANGER		Article no.	Price	Plate pack dimension (mm) LxWxH	Weight kg/unit
AC-230EQ Single circuit					
Connections					
S3: Soldering H21-L59 (1"1/8)					
S4: Soldering D21 (2"1/8)					
S1/S2: Internal thread C31 (FBSP 1/2")					
T1/T2: Victaulic clamp P32 (2"), P31 (2"1/2)					
AC-230EQ-40H (H21,D21,C31) (P32-T1-T2)B	N	32870 7550 0	1906	183 X 247 X 487	21,2
AC-230EQ-50H (H21, D21,C31) (P32-T1-T2)	N	32870 7640 1	2184	207 X 247 X 487	25,2
AC-230EQ-60H (H21,D21,C31) (P32-T1-T2)B	N	32870 7550 1	2461	227 X 247 X 487	29,0
AC-230EQ-70H (H21,D21,C31) (P32-T1-T2)	N	32870 7951 7	2740	251 X 247 X 487	33,1
AC-230EQ-80H (H21,D21,C31) (P32-T1-T2)B	N	32870 7550 2	3017	271 X 247 X 487	37,1
AC-230EQ-90H (H21,D21,C31) (P32-T1-T2)	N	32870 7951 8	3294	295 X 247 X 287	41,1
AC-230EQ-100H (H21,D21,C31) (P32-T1-T2)B	N	32870 7550 3	3572	315 X 247 X 487	45,0
AC-230EQ-120H (L59,D21,C31) (P31-T1-T2)B	N	32870 7550 4	4219	359 X 247 X 487	53,5
AC-230EQ-150H (L59,D21,C31) (P31-T1-T2)B	N	32870 7550 5	5051	425 X 247 X 487	65,4
AC-230EQ-180H (L59,D21,C31) (P31-T1-T2)B	N	32870 7550 6	5882	491 X 247 X 487	77,4
AC-230EQ-210H (L59,D21,C31) (P31-T1-T2)B	N	32870 7550 7	6717	557 X 247 X 487	89,3
ACH-230EQ Single circuit all soldering					
Connections					
S3: Soldering H21 (1"1/8)					
S4: Soldering D21 (2"1/8)					
S1/S2: Internal thread C31 (FBSP 1/2")					
T1/T2: Soldering D38 (1"5/8), D39 (2"1/8)					
ACH-230EQ-60H (H21,D21) (D38-T1-T2)B	N	32870 7550 9	2503	217 X 250 X 490	28,6
ACH-230EQ-80H (H21,D21) (D38-T1-T2)B	N	32870 7551 0	3079	260 X 250 X 490	36,6
ACH-230EQ-100H (H21,D21) (D39-T1-T2)B	N	32870 7551 1	3671	303 X 250 X 490	44,7
ACH-230EQ-120H (H21,D21) (D39-T1-T2)B	N	32870 7551 2	4246	346 X 250 X 490	52,6
ACH-230EQ-150H (H21,D21) (D39-T1-T2)B	N	32870 7551 3	5113	410 X 250 X 490	64,6
ACH-230EQ-180H (H21,D21) (D39-T1-T2)B	N	32870 7551 4	5978	474 X 250 X 490	76,5
ACH-230EQ-210H (H21,D21) (D39-T1-T2)B	N	32870 7551 5	6844	538 X 250 X 490	88,5

N = Non stocked unit. Delivery time depending on volume and model. For accurate delivery time, please visit the Global Delivery Time list online. If no access to the web, application for registration to online tools or for additional questions, please contact your Alfa Laval sales representative.

EXTRAS		Article no.	Price	Weight kg/unit
Kit water connections				
(Included in kit: 2 flexible joint clamps, 2 counter pipes)				
Kit for P32 connection (2")	S	3456109601	104	2.3
Kit for P31 connection (2" 1/2)	S	3456109101	112	3.2
Kit feet and lifting lugs				
Kit feet (2 feet, 4 nuts M8, 2 washers)	S	3456290001	34	1.1
Kit lifting lugs (2 lifting lugs - 4 nuts M8)	S	3456141501	27	0.4

S = Stock unit



AC-230DQ / ACH-230DQ Dual circuit

The plate heat exchangers are quality secured according to DIN ISO9001 cert. cate. All including components are made in acid proof stainless steel material and brazed in vacuum furnace using 100% copper filler material. The units are manufactured according to European Directive 97/23/EC, AFS 1999:4, and therefore pressure tested with air and leakage tested with helium.

		PED
Design temperature °C min/max (S3/S4, S1/S2)	AC-230DQ	-196/+150, -196/+150
Design pressure (bar) (S3/S4, S1/S2)	AC-230DQ	32, 32
Max nbr of plates available	AC-230DQ	250
Design temperature °C min/max (S3/S4, S1/S2)	ACH-230DQ	-196/+150, -196/+150
Design pressure (bar) (S3/S4, S1/S2)	ACH-230DQ	45, 45
Max nbr of plates available	ACH-230DQ	250

HEAT EXCHANGER		Article no.	Price	Plate pack dimension (mm) LxWxH	Weight kg/unit
AC-230DQ Dual circuit					
Connections					
S3: Soldering H21 (1"1/8)					
S4: Soldering H25 (1"5/8), D21 (2"1/8)					
S1/S2: Internal thread C31 (FBSP 1/2")					
T1/T2: Victaulic clamp P32 (2"), P31 (2"1/2)					
AC-230DQ-62H (H21,H25,C31)(P32-T1-T2)B	N	3287071617	2545	222 X 250 X 490	29.9
AC-230DQ-82H (H21,H25,C31)(P32-T1-T2)B	N	3287069856	3108	264 X 250 X 490	37.9
AC-230DQ-102H (H21,H25,C31)(P32-T1-T2)B	N	3287069857	3664	307 X 250 X 490	45.9
AC-230DQ-122H (H21,D21,C31)(P31-T1-T2)B	N	3287069859	4311	358 X 250 X 490	54.4
AC-230DQ-142H (H21,D21,C31)(P31-T1-T2)B	N	3287069860	4865	401 X 250 X 490	62.4
AC-230DQ-162H (H21,D21,C31)(P31-T1-T2)B	N	3287069861	5420	444 X 250 X 490	70.4
AC-230DQ-182H (H21,D21,C31)(P31-T1-T2)B	N	3287069863	5975	486 X 250 X 490	78.3
AC-230DQ-202H (H21,D21,C31)(P31-T1-T2)B	N	3287069864	6530	529 X 250 X 490	86.3
AC-230DQ-222H (H21,D21,C31)(P31-T1-T2)B	N	3287069865	7086	572 X 250 X 490	94.2
ACH-230DQ Dual circuit – High pressure units					
Connections					
S3: Soldering L59 (1"1/8)					
S4: Soldering H25 (1"5/8), D21 (2"1/8)					
S1/S2: Internal thread C31 (FBSP 1/2")					
T1/T2: Victaulic clamp P32 (2"), P31 (2"1/2)					
ACH-230DQ-102H (L59,H21,H25,C31)(P32-T1-T2)B	N	3287069867	3827	307 X 250 X 490	45.9
ACH-230DQ-142H (H21,D21,C31)(P31-T1-T2)B	N	3287069852	5059	401 X 250 X 490	62.4
ACH-230DQ-182H (H21,D21,C31)(P31-T1-T2)B	N	3287069868	6214	486 X 250 X 490	78.3
ACH-230DQ-222H (H21,D21,C31)(P31-T1-T2)B	N	3287069869	7367	572 X 250 X 490	94.2

N = Non stocked unit. Delivery time depending on volume and model. For accurate delivery time, please visit the Global Delivery Time list online. If no access to the web, application for registration to online tools or for additional questions, please contact your Alfa Laval sales representative.

EXTRAS		Article no.	Price	Weight kg/unit
Kit water connections				
Kit for P32 connection (2")	S	3456109601	104	2.3
Kit for P31 connection (2" 1/2)	S	3456109101	112	3.2
Kit feet and lifting lugs				
Kit feet (2 feet, 4 nuts M8, 2 washers)	S	3456290001	34	1.1
Kit lifting lugs (2 lifting lugs - 4 nuts M8)	S	3456141501	27	0.4

S = Stock unit


AC-500EQ / ACH-500EQ Single circuit

The plate heat exchangers are quality secured according to DIN ISO9001 cert cate. All including components are made in acid proof stainless steel material and brazed in vacuum furnace using copper filler material. The units are manufactured according to European Directive 97/23/EC, AFS 1999:4, and therefore pressure tested with air and leakage tested with helium.

		PED	
Design temperature °C min/max (S3/S4, S1/S2)	AC-500EQ	-196/+150, -196/+150	
Design pressure (bar) (S3/S4, S1/S2)	AC-500EQ	32, 32	
Max nbr of plates available	AC-500EQ	270	
Design temperature °C min/max (S3/S4, S1/S2)	ACH-500EQ	-196/+150, -196/+150	
Design pressure (bar) (S3/S4, S1/S2)	ACH-500EQ	45, 45	
Max nbr of plates available	ACH-500EQ	270	

HEAT EXCHANGER		Article no.	Price	Plate pack dimension (mm) LxWxH	Weight kg/unit
AC-500EQ Single circuit					
Connections					
S3: Soldering M66-M65-M64 (42.2 mm)					
S4: Soldering L33 (2"5/8), L35 (3"1/8)					
S1/S2: Internal thread C31 (FBSP 1/2")					
T1/T2: Victaulic clamp P35 (3")					
AC-500EQ-70H (M66, L33, C31)(P35-T1-T2)B	N	3287076461	5550	311 X 322 X 739	21.7
AC-500EQ-80H (M66, L33, C31)(P35-T1-T2)B	N	3287076462	5957	340 X 322 X 739	22.9
AC-500EQ-90H (M66, L33, C31)(P35-T1-T2)B	N	3287076463	6365	368 X 322 X 739	24.0
AC-500EQ-100H (M66, L33, C31)(P35-T1-T2)B	N	3287076464	6772	396 X 322 X 739	25.2
AC-500EQ-210H (M65, L35, C31)(P35-T1-T2)B	N	3287076468	11249	706 X 322 X 739	37.7
AC-500EQ-240H (M64, L35, C31)(P35-T1-T2)B	N	3287076469	12481	791 X 322 X 739	41.1
ACH-500EQ Single circuit all soldering					
Connections					
S3: Soldering M66-M58 (42.2 mm)					
S4: Soldering L33 (2"5/8), L35 (3"1/8)					
T1/T2: Welding J31(2"1/2)					
ACH-500EQ-70H (M66, L33)(J31-T1-T2)B	N	3287076470	5734	311 X 322 X 739	21.5
ACH-500EQ-80H (M66, L33)(J31-T1-T2)B	N	3287076471	6159	340 X 322 X 739	22.7
ACH-500EQ-90H (M66, L33)(J31-T1-T2)B	N	3287076472	6582	368 X 322 X 739	23.8
ACH-500EQ-100H (M66, L33)(J31-T1-T2)B	N	3287076473	7006	396 X 322 X 739	25.0
ACH-500EQ-120H (M66, L35)(J31-T1-T2)B	N	3287076474	7852	452 X 322 X 739	27.2
ACH-500EQ-150H (M66, L35)(J31-T1-T2)B	N	3287076475	9122	537 X 322 X 739	30.6
ACH-500EQ-166H (M66, L35)(J31-T1-T2)B	N	3287076534	9800	582 X 322 X 739	32.4
ACH-500EQ-180H (M58, L35)(J31-T1-T2)B	N	3287076479	10403	622 X 322 X 739	34.0
ACH-500EQ-210H (M58, L35)(J31-T1-T2)B	N	3287076480	11674	706 X 322 X 739	37.5

N = Non stocked unit. Delivery time depending on volume and model. For accurate delivery time, please visit the Global Delivery Time list online. If no access to the web, application for registration to online tools or for additional questions, please contact your Alfa Laval sales representative.

EXTRAS		Article no.	Price	Weight kg/unit
Kit water connections				
(Included in kit: 2 flexible joint clamps, 2 counter pipes)				
Kit for P35 connection 3"	S	3456106601	125	4.1
Kit feet and lifting lugs				
Kit feet (2 feet, 8 nuts M10, 4 washers)				
Kit lifting lugs (2 lifting lugs, 4 nuts M10, 2 washers)	S	3456137801	33	0.6

S = Stock unit



AC-500DQ / ACH-500DQ Dual circuit

The plate heat exchangers are quality secured according to DIN ISO9001 certifi cate. All including components are made in acid proof stainless steel material and brazed in vacuum furnace using copper filler material. The units are manufactured according to European Directive 97/23/EC, AFS 1999:4, and therefore pressure tested with air and leakage tested with helium. Auxiliaries: Couplings and fastening device.

		PED	
Design temperature °C min/max (S3/S4, S1/S2)	AC-500DQ	-196/+150, -196/+150	
Design pressure (bar) (S3/S4, S1/S2)	AC-500DQ	32, 32	
Max nbr of plates available	AC-500DQ	270	
Design temperature °C min/max (S3/S4, S1/S2)	ACH-500DQ	-196/+150, -196/+150	
Design pressure (bar) (S3/S4, S1/S2)	ACH-500DQ	45, 45	
Max nbr of plates available	ACH-500DQ	270	

HEAT EXCHANGER		Article no.	Price	Plate pack dimension (mm) LxWxH	Weight kg/unit
AC-500DQ Dual circuit					
Connections					
S3: Soldering D41 (1"3/8)					
S4: Soldering L33 (2"5/8), L35 (3"1/8)					
S1/S2: Internal thread C31 (FBSP 1/2")					
T1/T2: Victaulic clamp P35 (3")					
AC-500DQ-102H (D41,L33,C31)(P35-T1-T2)B	N	3287069873	6974	381 X 322 X 739	98.5
AC-500DQ-122H (D41,L33,C31)(P35-T1-T2)B	N	3287069874	7788	433 X 322 X 739	115.3
AC-500DQ-142H (D41,L33,C31)(P35-T1-T2)B	N	3287069875	8603	485 X 322 X 739	132.0
AC-500DQ-162H (D41,L33,C31)(P35-T1-T2)B	N	3287069876	9417	537 X 322 X 739	148.8
AC-500DQ-182H (D41,L33,C31)(P35-T1-T2)B	N	3287069877	10230	590 X 322 X 739	165.6
AC-500DQ-202H (D41,L33,C31)(P35-T1-T2)B	N	3287069878	11043	642 X 322 X 739	182.4
AC-500DQ-222H (D41,L35,C31)(P35-T1-T2)B	N	3287069879	11859	694 X 322 X 739	199.0
AC-500DQ-250H (D41,L35,C31)(P35-T1-T2)B	N	3287069880	12998	767 X 322 X 739	222.5
ACH-500DQ Dual circuit – High pressure units					
Connections					
S3: Soldering M57 (1"3/8)					
S4: Soldering L33 (2"5/8), L35 (3"1/8)					
S1/S2: Internal thread C31 (FBSP 1/2")					
T1/T2: Victaulic clamp P35 (3")					
ACH-500DQ-122H (M57,L33,C31)(P35-T1-T2)B	N	3287069881	8124	433 X 322 X 739	115.3
ACH-500DQ-162H (M57,L33,C31)(P35-T1-T2)B	N	3287069882	9820	537 X 322 X 739	148.8
ACH-500DQ-202H (M57,L33,C31)(P35-T1-T2)B	N	3287069883	11513	642 X 322 X 739	182.4
ACH-500DQ-250H (M57,L35,C31)(P35-T1-T2)B	N	3287069884	13545	767 X 322 X 739	222.5

N = Non stocked unit. Delivery time depending on volume and model. For accurate delivery time, please visit the Global Delivery Time list online. If no access to the web, application for registration to online tools or for additional questions, please contact your Alfa Laval sales representative.

EXTRAS		Article no.	Price	Weight kg/unit
Kit water connections				
(Included in kit: 2 flexible joint clamps, 2 counter pipes)				
Kit for P35 connection 3"	S	3456106601	125	4.1
Kit feet and lifting lugs				
Kit feet (2 feet, 8 nuts M10, 4 washers)	S	3456294101	87	2.3
Kit lifting lugs (2 lifting lugs, 4 nuts M10, 2 washers)	S	3456137801	33	0.6

S = Stock unit



CB200

The plate heat exchangers are quality secured according to DIN ISO9001 certificate. All including components are made in acid proof stainless steel material and brazed in vacuum furnace using 100% copper filler material.

The units are manufactured according to European Directive 97/23/EC, AFS 1999:4, and therefore pressure tested and leakage tested with water. For refrigeration applications, the units are dried with hot air. Auxiliaries: Couplings. The units are delivered with flanges as standard design.

	PED
Design temperature °C min/max (S3/S4, S1/S2)	-196/+125
Design pressure (bar) (S3/S4, S1/S2)	27 , 27
Max nbr of plates available	230

HEAT EXCHANGER		Article no.	Price	Plate pack dimension (mm) LxWxH	Weight kg/unit
Connections					
Water side (S1/S2): Flange connection (loose type) DN80 - PN25, denomination: LFS23					
Refrigerant side (S3/S4): Welding connection (88.9 mm), denomination: WS21					
High theta units					
CB200-64H (WS21, LFS23)	N	3287072672	5263	344 X 324 X 742	73.1
CB200-80H (WS21, LFS23)	S	3287073397	5960	387 X 324 X 742	82.7
CB200-100H (WS21, LFS23)	S	3287072671	6831	441 X 324 X 742	94.7
CB200-124H (WS21, LFS23)	N	3287073398	7877	506 X 324 X 742	109.1
CB200-150H (WS21, LFS23)	N	3287073399	9012	576 X 324 X 742	124.7
CB200-174H (WS21, LFS23)	N	3287073400	10057	641 X 324 X 742	139.1
CB200-200H (WS21, LFS23)	N	3287073401	11189	711 X 324 X 742	154.7

S = Stock unit

N = Non stocked unit. Delivery time depending on volume and model. For accurate delivery time, please visit the Global Delivery Time list online. If no access to the web, application for registration to online tools or for additional questions, please contact your Alfa Laval sales representative.



CB300

The plate heat exchangers are quality secured according to DIN ISO9001 certif cate. All including components are made in acid proof stainless steel material and brazed in vacuum furnace using 100% copper filler material.

The units are manufactured according to European Directive 97/23/EC, AFS 1999:4, and therefore pressure tested and leakage tested with water. For refrigeration applications, the units are dried with hot air. Auxiliaries: Couplings. The units are delivered with fanges as standard design.

	PED
Design temperature °C min/max (S3/S4, S1/S2)	-160/+175
Design pressure (bar) (S3/S4, S1/S2)	27, 16
Max nbr of plates available	250

HEAT EXCHANGER		Article no.	Price	Plate pack dimension (mm) LxWxH	Weight kg/unit
Connections					
Water side (S1/S2):		Flange connection DN100 - PN16, denomination: FS12			
Refrigerant side, inlet (S3):		alt 1) Soldering connection (ODS 35.2 mm), denomination: BS16			
		alt 2) Soldering connection (ODS 42 mm), denomination: BS14			
		alt 3) Soldering connection (ODS 64.2 mm), denomination: BS17			
Refrigerant side, outlet (S4):		alt 1) Soldering connection (ODS 64.2 mm), denomination: BS17			
		alt 2) Soldering connection (ODS 76.2 mm), denomination: BS19			
High theta units with distributor					
CB300X-30H (BS16,BS17,FS12)	N	3287053582	6131	112 X 366 X 990	89.0
CB300X-40H (BS16,BS17,FS12)	N	3287053583	6882	112 X 366 X 990	101.6
CB300X-50H (BS16,BS17,FS12)	N	3287053584	7642	112 X 366 X 990	114.2
CB300X-64H (BS16,BS17,FS12)	N	3287053585	8700	112 X 366 X 990	131.9
CB300X-80H (BS16,BS17,FS12)	N	3287051120	9905	112 X 366 X 990	152.0
CB300X-100H (BS16,BS17,FS12)	N	3287051121	11415	112 X 366 X 990	177.2
CB300X-124H (BS14,BS19,FS12)	N	3287051122	13226	112 X 366 X 990	207.5
CB300X-150H (BS14,BS19,FS12)	N	3287050877	15068	112 X 366 X 990	240.2
CB300X-180H (BS14,BS19,FS12)	N	3287050876	17241	112 X 366 X 990	278.0
CB300X-210H (BS14,BS19,FS12)	N	3287051061	19720	112 X 366 X 990	315.8
CB300X-250H (BS14,BS19,FS12)	N	3287053586	22740	112 X 366 X 990	371.2
High theta units without distributor					
CB300-110H (BS17,FS12)	N	3287051123	10847	400 X 366 X 990	194.8
CB300-150H (BS17,FS12)	N	3287051062	13435	505 X 366 X 990	240.2
CB300-180H (BS17,FS12)	N	3287051124	15380	584 X 366 X 990	278.0
CB300-210H (BS17,FS12)	N	3287051125	17322	662 X 366 X 990	320.8
CB300-250H (BS17,FS12)	N	3456037010	19912	767 X 366 X 990	370.3

N = Non stocked unit. Delivery time depending on volume and model. For accurate delivery time, please visit the Global Delivery Time list online. If no access to the web, application for registration to online tools or for additional questions, please contact your Alfa Laval sales representative.



CB400

The plate heat exchangers are quality secured according to DIN ISO9001 cert. cate. All including components are made in acid proof stainless steel material and brazed in vacuum furnace using 100% copper filler material.

The units are manufactured according to European Directive 97/23/EC, AFS 1999:4, and therefore pressure tested and leakage tested with water. For refrigeration applications, the units are dried with hot air. Auxiliaries: Couplings. The units are delivered with flanges as standard design.

	PED
Design temperature °C min/max (S3/S4, S1/S2)	-196/+150
Design pressure (bar) (S3/S4, S1/S2)	32 , 27
Max nbr of plates available	270

HEAT EXCHANGER		Article no.	Price	Plate pack dimension (mm) LxWxH	Weight kg/unit
Connections					
Water side (S1/S2):, Vitaulic clamp (4"), denomination: CS11					
Refrigerant side (S3/S4):, Welding connection (114.3 mm), denomination: WS14					
High theta units					
CB400-30H (WS14, CS11)	N	3287075720	6058	351 X 390 X 990	86.1
CB400-40H (WS14, CS11)	N	3287075721	6750	376 X 390 X 990	99.6
CB400-50H (WS14, CS11)	N	3287075722	7443	402 X 390 X 990	113.1
CB400-64H (WS14, CS11)	N	3287075723	8412	438 X 390 X 990	132.0
CB400-80H (WS14, CS11)	N	3287075724	9521	479 X 390 X 990	153.6
CB400-100H (WS14, CS11)	N	3287075725	10906	530 X 390 X 990	180.6
CB400-124H (WS14, CS11)	N	3287075726	12567	591 X 390 X 990	213.0
CB400-150H (WS14, CS11)	N	3287075727	14370	658 X 390 X 990	248.1
CB400-180H (WS14, CS11)	N	3287075728	16445	735 X 390 X 990	288.6
CB400-210H (WS14, CS11)	N	3287075729	18523	812 X 390 X 990	334.1
CB400-250H (WS14, CS11)	N	3287075730	21294	914 X 390 X 990	388.1

N = Non stocked unit. Delivery time depending on volume and model. For accurate delivery time, please visit the Global Delivery Time list online. If no access to the web, application for registration to online tools or for additional questions, please contact your Alfa Laval sales representative.



CBXP & AXP

The plate heat exchangers are quality secured according to DIN ISO9001 certif cate. All including components are made in acid proof stainless steel material and brazed in vacuum furnace using 100% copper filler material. The units are manufactured according to European Directive 97/23/EC, AFS 1999:4, and therefore pressure tested with air and leakage tested with helium. Auxiliaries: feet.

CBXP27

Design temperature °C min/max (S3/S4, S1/S2) Design pressure (S3/S4, S1/S2) at 90°C Max nbr of plates available	PED
	-196/+225
	90
	150

HEAT EXCHANGER		Article no.	Price	Plate pack dimension (mm) LxWxH	Weight kg/unit
Connections S1/S2 Soldering 1 3/8". S3/S4 Soldering 7/8".					
CBXP27-10L-F	S	3287123665	659	351 X 390 X 990	86.1

S = Stock unit

AXP27

Design temperature °C min/max (S3/S4, S1/S2) Design pressure (bar) (S3/S4, S1/S2) Max nbr of plates available	PED
	-10/+150
	130, 130
	150

HEAT EXCHANGER		Article no.	Price	Plate pack dimension (mm) LxWxH	Weight kg/unit
Connections S1/S2 External thread 1 1/4". S3/S4 Welding 33.7 mm.					
AXP27-20L-F	S	3287107520	1558	351 X 390 X 990	86.1

S = Stock unit

AXP52

Design temperature °C min/max (S3/S4, S1/S2) Design pressure (bar) (S3/S4, S1/S2) Max nbr of plates available	PED
	-10/+150
	130, 130
	150

HEAT EXCHANGER		Article no.	Price	Plate pack dimension (mm) LxWxH	Weight kg/unit
Connections S1/S2 External thread 1". S3/S4 Soldering 7/8".					
AXP52-64H-F	S	3287107094	2805	351 X 390 X 990	86.1
Connections S1/S2 External thread 1 1/4". S3/S4 Welding 33.7 mm					
AXP52-150H-F	S	3287106412	4641	351 X 390 X 990	86.1

S = Stock unit



Brazed heat exchangers Asia Pacific Standard Units REF

The plate heat exchangers are quality secured according to DIN ISO9001 certificate. All including components are made in acid proof stainless steel material and brazed in vacuum furnace using 100% copper filler material.

The units are manufactured according to European Directive 97/23/EC, AFS 1999:4, and therefore pressure tested with air and leakage tested with helium.

Auxiliaries: couplings and fastening device.

All units can be used as condensers and evaporators.

The capacity (RT) refers to the evaporation temperature 2°C, chill water temperature from 12 to 7°C.

HEAT EXCHANGER						
Model		Article no.	Price	Plate pack dimension (mm) LxWxH	Weight kg/unit	Capacity (RT)
Distributor models – AC-30						
Connections						
S3: Soldering H27 (3/8"), H62 (1/2"), H65 (5/8")						
S4: Soldering H23 (7/8")						
S1/S2: Conical external thread E26 (BSP 1")						
AC-30-10EQ (H27, H23, E26)	S	3288101427	287	48 X 95 X 325	2.1	1
AC-30-20EQ (H27, H23, E26)	S	3288101428	360	63 X 95 X 325	2.9	2
AC-30-30EQ (H62, H23, E26)	S	3288101429	436	79 X 95 X 325	3.8	3
AC-30-40EQ (H62, H23, E26)	S	3288101430	512	94 X 95 X 325	4.6	4
AC-30-50EQ (H65, H23, E26)	S	3288101431	589	109 X 95 X 325	5.5	5
AC-30-60EQ (H65, H23, E26)	S	3288101432	663	124 X 95 X 325	6.3	6
Distributor models – AC-70						
Connections						
S3: Soldering H39 G65 G67 G68 (16.1 mm), H30 (22.3 mm)						
S4: Soldering H21 (1"1/8), H34 (1"3/8)						
S1/S2: Conical external thread E26 (BSP 1"), E32 (BSP 1"1/4)						
AC-70X-22M (H39,H21,E26)	S	3287066695	595	86 X 111 X 526	6.1	5
AC-70X-26M (H39,H21,E26)	S	3287066696	660	95 X 111 X 526	6.8	6
AC-70X-34M (G65,H21,E26)	S	3287066697	789	113 X 111 X 526	8.2	8
AC-70X-42M (G67,H21,E26)	S	3287066698	919	132 X 111 X 526	9.7	10
AC-70X-54M (G67,H21,E26)	S	3287066699	1113	159 X 111 X 526	11.8	13
AC-70X-66M (G68,H34,E32)	S	3287066700	1317	187 X 111 X 526	14.1	15
AC-70X-100M (H30,H34,E32)	S	3287066701	1867	265 X 111 X 526	20.2	20
Distributor models – AC-120						
Connections						
S3: Soldering L55 L56 (1"1/8)						
S4: Soldering D21 (2"1/8)						
S1/S2: Conical external thread E27 (BSP 2")						
AC-120-70EQ (L55, D21, E27)	S	3288101397	3144	224 X 192 X 617	37.2	25
AC-120-86EQ (L55, D21, E27)	S	3288101398	3694	261 X 192 X 617	44.3	30
AC-120-120EQ (L55, D21, E27)	S	3288101399	4800	341 X 192 X 617	59.3	40
AC-120-170EQ (L56, D21, E27)	S	3288101400	6179	459 X 192 X 617	81.3	50

APR countries only!

S = Stock unit

AlfaNova heat exchangers



AlfaNova 14

The plate heat exchangers are secured according to DIN ISO9001 certif cate. All including components are made in acid proof stainless steel material 1.4401, and fusion bonded with AlfaFusion™ technology using stainless steel material. The units are manufactured according to European Directive 97/23/EC and therefore pressure tested with air and leakage tested with helium.

Auxiliaries: Couplings and fastening device.

	14	HP 14
Max. design temperature °C	-196/+550	-196/+550
Design pressure (S3/S4, S1/S2) at 175°C	21 / 21	36 / 36
Max nbr of plates available	50	50

HEAT EXCHANGER					
Model		Article no.	Price	Plate pack dimension (mm) LxWxH	Weight kg/unit
Connections					
S1/S2: ISO G 3/4" External thread					
S3/S4: 3/4" Soldering connections					
AlfaNova 14-20H (G21, A21)	N	3287052314	671	82 X 77 X 207	2
AlfaNova 14-28H (G21, A21)	N	3287052315	783	101 X 77 X 207	2.5
EXTRAS					
Protective insulation type P: Prefabricated insulation jacket with 19 mm closed cell expanded elastomer with 0.5 mm external PVC protection layer.					
Max. temperature: 100°C Min. temperature: -45°C					

N = Non stocked unit. Delivery time depending on volume and model. For accurate delivery time, please visit the Global Delivery Time list online. If no access to the web, application for registration to online tools or for additional questions, please contact your Alfa Laval sales representative.


AlfaNova 27 - HP 27

The plate heat exchangers are secured according to DIN ISO9001 certif cate. All including components are made in acid proof stainless steel material 1.4401, and fusion bonded with AlfaFusion™ technology using stainless steel material. The units are manufactured according to European Directive 97/23/EC and therefore pressure tested with air and leakage tested with helium.

Auxiliaries: Insulations, couplings and fastening device.

	27	HP 27
Max. design temperature °C	-196/+550	-196/+550
Design pressure (S3/S4, S1/S2) at 175°C	27 / 22	36 / 36
Max nbr of plates available	100	100

HEAT EXCHANGER					
Model		Article no.	Price	Plate pack dimension (mm) LxWxH	Weight kg/unit
Connections					
S1/S2: BSP 1" External thread					
S3/S4: 1"1/8 Soldering connections					
AlfaNova 27-20H (H21, B21)	S	3287000926	972	83 X 111 X 310	4.4
AlfaNova 27-24H (H21, B21)	N	3287000927	1076	93 X 111 X 310	4.9
AlfaNova 27-30H (H21, B21)	S	3287000928	1230	108 X 111 X 310	5.7
AlfaNova 27-34H (H21, B21)	N	3287000929	1334	117 X 111 X 310	6.2
AlfaNova 27-40H (H21, B21)	S	3287000930	1484	132 X 111 X 310	7
AlfaNova 27-50H (H21, B21)	S	3287000931	1740	156 X 111 X 310	8.3
AlfaNova HP 27-20H (H21, B21)	S	3287000932	1337	83 X 111 X 310	4.7
AlfaNova HP 27-24H (H21, B21)	N	3287000933	1440	93 X 111 X 310	5.2
AlfaNova HP 27-30H (H21, B21)	S	3287000934	1595	108 X 111 X 310	6
AlfaNova HP 27-34H (H21, B21)	N	3287000935	1700	117 X 111 X 310	6.5
AlfaNova HP 27-40H (H21, B21)	S	3287000936	1849	132 X 111 X 310	7.3
AlfaNova HP 27-50H (H21, B21)	N	3287000937	2107	156 X 111 X 310	8.6

S = Stock unit

N = Non stocked unit. Delivery time depending on volume and model. For accurate delivery time, please visit the Global Delivery Time list online. If no access to the web, application for registration to online tools or for additional questions, please contact your Alfa Laval sales representative.



AlfaNova 52 - HP 52

The plate heat exchangers are secured according to DIN ISO9001 certif cate. All including components are made in acid proof stainless steel material 1.4401, and fusion bonded with AlfaFusion™ technology using stainless steel material. The units are manufactured according to European Directive 97/23/EC and therefore pressure tested with air and leakage tested with helium.

Auxiliaries: Insulations, couplings and fastening device.

	52	HP 52
Max. design temperature °C	-196/+550	-196/+550
Design pressure (S3/S4, S1/S2) at 175°C	27 / 22	36 / 36
Max nbr of plates available	150	150

HEAT EXCHANGER					
Model		Article no.	Price	Plate pack dimension (mm) LxWxH	Weight kg/unit
Connections					
S1/S2: BSP 1" External thread					
S3/S4: 1"1/8 Soldering connections					
AlfaNova 52-20H (H21,B21)	S	3287000938	1434	85 X 111 X 526	7
AlfaNova 52-24H (H21,B21)	N	3287000939	1580	95 X 111 X 526	7.9
AlfaNova 52-30H (H21,B21)	S	3287000940	1811	109 X 111 X 526	9.2
AlfaNova 52-34H (H21,B21)	N	3287000941	1965	119 X 111 X 526	10.1
AlfaNova 52-40H (H21,B21)	S	3287000942	2194	134 X 111 X 526	11.4
AlfaNova 52-50H (H21,B21)	S	3287000943	2578	159 X 111 X 526	13.5
AlfaNova 52-60H (H21,B21)	S	3287051926	2961	184 X 111 X 526	15.7
AlfaNova HP 52-20H (H21,B21)	N	3287000944	1920	85 X 111 X 526	7.4
AlfaNova HP 52-24H (H21,B21)	N	3287000945	2068	95 X 111 X 526	8.3
AlfaNova HP 52-30H (H21,B21)	S	3287000946	2297	109 X 111 X 526	9.6
AlfaNova HP 52-34H (H21,B21)	N	3287000947	2451	119 X 111 X 526	10.4
AlfaNova HP 52-40H (H21,B21)	S	3287000948	2682	134 X 111 X 526	11.7
AlfaNova HP 52-50H (H21,B21)	N	3287000949	3064	159 X 111 X 526	13.9

S = Stock unit

N = Non stocked unit. Delivery time depending on volume and model. For accurate delivery time, please visit the Global Delivery Time list online. If no access to the web, application for registration to online tools or for additional questions, please contact your Alfa Laval sales representative.


AlfaNova 76 - HP 76

The plate heat exchangers are secured according to DIN ISO9001 certifi cate. All including components are made in acid proof stainless steel material.4401, and fusion bonded with AlfaFusion™ technology using stainless steel material. The units are manufactured according to European Directive 97/23/EC and therefore pressure tested with air and leakage tested with helium.

Auxiliaries: Couplings and fastening device.

	76	HP 76
Max. design temperature °C	-196/+550	-196/+550
Design pressure (S3/S4, S1/S2) at 175°C	27 / 27	36 / 36
Max nbr of plates available	150	150

HEAT EXCHANGER					
Model		Article no.	Price	Plate pack dimension (mm) LxWxH	Weight kg/unit
Connection J23 (2 welding) Stud bolts for feet included					
AlfaNova 76-30H (J23,J23)	S	3287000849	3384	137 X 191 X 618	23.5
AlfaNova 76-40H (J23,J23)	N	3287000850	4029	165 X 191 X 618	28.6
AlfaNova 76-50H (J23,J23)	S	3287000851	4642	194 X 191 X 618	33.5
AlfaNova 76-64H (J23,J23)	S	3287050285	5575	233 X 191 X 618	40.3
AlfaNova 76-80H (J23,J23)	S	3287000853	6607	279 X 191 X 618	48
AlfaNova 76-90H (J23,J23)	N	3287000854	7251	308 X 191 X 618	52.9
AlfaNova 76-100H (J23,J23)	S	3287000855	7897	336 X 191 X 618	57.7
AlfaNova HP 76-30H (J23,J23)	S	3287000775	4370	137 X 191 X 618	25.7
AlfaNova HP 76-40H (J23,J23)	N	3287000776	5022	165 X 191 X 618	30.8
AlfaNova HP 76-50H (J23,J23)	S	3287000777	5609	194 X 191 X 618	35.7
AlfaNova HP 76-64H (J23,J23)	S	3287000778	6510	233 X 191 X 618	42.5
AlfaNova HP 76-80H (J23,J23)	S	3287000779	7469	279 X 191 X 618	50.2
AlfaNova HP 76-90H (J23,J23)	N	3287000780	8121	308 X 191 X 618	55.1
AlfaNova HP 76-100H (J23,J23)	S	3287000774	8709	336 X 191 X 618	59.9
Kit/Adaptor for sensor					
2" to 1/2" adaptor for water connect. B23		3456111401	43		0.3
Rigid feet					
		3456108301	121		3.8

S = Stock unit

N = Non stocked unit. Delivery time depending on volume and model. For accurate delivery time, please visit the Global Delivery Time list online. If no access to the web, application for registration to online tools or for additional questions, please contact your Alfa Laval sales representative.

Gasketed heat exchangers



Semi-welded plate heat exchangers for refrigeration

Flooded and DX Evaporators for general cooling and refrigeration. Condensers including foulant and corrosive cooling waters. Desuperheaters including Heat Recovery. Oil coolers with water. Common refrigerants are Ammonia, HFC and HC. Among media to cool or heat are solutions of Glycol, inorganic salts, organic non aromatic fluids, Ammonia - water, corrosive and hygienic fluids.

Model	M6-MW	M10-BW	MK15-BW	M20-MW/T20-BW	MA30-W
Capacity range, RT	10-70	50-250	100-450	300-1100	700-3000
Capacity range, kW	35-250	175-875	350-1575	2100-8750	2450-10500
Pressure range, bar (g), vacuum to...	25	40	40	25*	25
Temperature range, °C	-45 to +120				
Connection size (mm)	50	100	150	200	300
Height, mm	940	981	1486	2260/2140	3061
Width, mm	330	470	650	780	1170
Length, mm	545-1595	575-2175	1110-3810	1125-3825	1620-4520
Weight, kg	175-425	375-1100	1400-2700	2350-5050	6350-11950

* higher than 25 bar on request

Construction

Refrigerant 2-phase enclosed within laser welded plate pairs to form a channel. Liquid enclosed within gasketed channels. Double gaskets and welds with vents to prevent internal contamination. Materials as standard are stainless AISI 316, AISI 304, 20/18/6 and Titanium.

Features

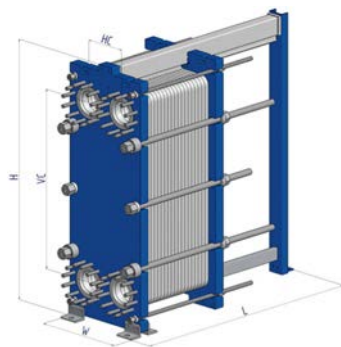
Thermal efficiency giving small dimensions and low weight. Small fouling and efficient chemical cleaning. Flexible construction giving resistance to pressure/temperature cycling and freezing. Serviceable by easy opening. Extendable and adaptable by adding plates and changing plates. External leak detection with no internal contamination.

Pressure vessel codes

Standard codes are PED, ASME and others on request.

Gasketed plate heat exchangers

The plate heat exchanger consists of a pack of corrugated metal plates with portholes for the passage of the two fluids between which heat transfer will take place. The plate pack is assembled between a fixed frame plate and a movable pressure plate and compressed by tightening bolts. The plates are fitted with a gasket which seals the interplate channel and directs the fluids into alternate channels. The number of plates is determined by the flow rate, physical properties of the fluids, pressure drop and temperature program.



Small gasketed plate heat exchangers

Model	T2	M3	TL3	T5	TL6	M6	TS6
Height, mm H	380	480	790	737	1264	920	704
Width, mm W	140	180	190	245	320	320	400
Min. standard length, mm L	165	400	420	190	615	500	530
Max. standard length, mm L	275	650	1370	365	1665	1500	1430
Vertical port distance, mm VC	298	357	668	553	1036	640	380
Horizontal port distance, mm HC	50	60	60	100	140	140	203
Max. temperature, °C	180	180	180	180	180	180	180
Max. pressure, bar	16	16	16	16	10	16	16
Flow principle	Parallel	Parallel	Parallel	Parallel	Parallel	Parallel	Parallel

Medium gasketed plate heat exchangers

Model	M10	TL10	M15	TL15
Height, mm H	1084	1885	1885	2672
Width, mm W	470	480	610	610
Min. standard length, mm L	700	850	1150	928
Max. standard length, mm L	2300	2350	2050	4368
Vertical port distance, mm VC	719	1338	1294	2035
Horizontal port distance, mm HC	225	225	298	288
Max. temperature, °C	180	160	180	180
Max. pressure, bar	10	10	10	10
Flow principle	Parallel	Parallel	Parallel	Parallel

Large gasketed plate heat exchangers

Model	TS20	T20	MX25	TS35	T35	TL35
Height, mm H	1405	2150	2595	2375	2875	3210
Width, mm W	740	750	920	1174	1174	1506
Min. standard length, mm L	900	1250	1550	2116	2116	2195
Max. standard length, mm L	2700	3350	3350	6280	6280	4595
Vertical port distance, mm VC	698	1478	1939	1433	1933	2177
Horizontal port distance, mm HC	363	353	439	578	578	578
Max. temperature, °C	180	180	180	180	180	180
Max. pressure, bar	10	10	10	10	10	10
Flow principle	Parallel	Parallel	Parallel	Parallel	Parallel	Parallel

¹⁾ Height and width based on 10 bar (g) frames. Height may differ when the number of plates/unit is large. Max. flow rate should be seen as an indication only, as it depends on media, permitted pressure drop and temperature program.

Plate and gasket materials

Plates can be obtained in all pressable materials. The most common materials are: stainless steel AISI 304, AISI 316, and titanium. Gaskets are available in a wide range of elastomers. The most common are: nitrile and EPDM.

Max pressure and temperature

All models are available with different frame designs and different plate thickness depending on the required design pressure. The maximum temperature is depending on the gasket material used, and the working pressure.

Approvals

Alfa Laval PHEs are available with different PV approvals, CE mark according to PED, ASME and other local approvals.

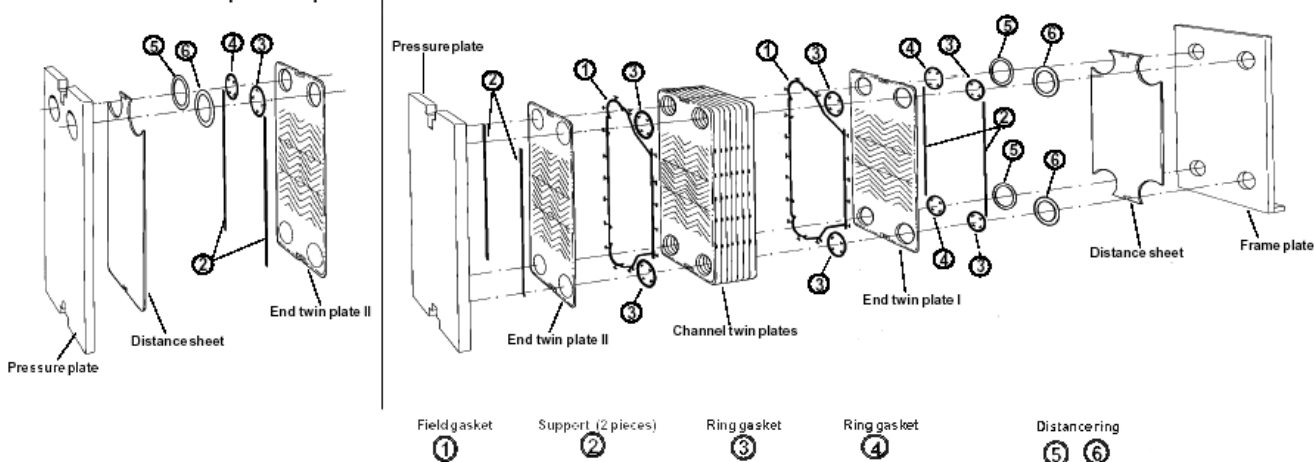
Accessories

Product accessories like insulation (heating and cooling) and drip trays are available.

Selection and pricing

Please contact your local Alfa Laval representative for design assistance and pricing. You can find contact details for Alfa Laval companies around the world on our Internet site www.alfalaval.com.

With connections in the pressure plate



Non-stop performance

Nonstop performance of the plate heat exchanger (PHE) depends on how clean the plates are, and on the PHE:s gasket conditions.

Cleaning

Cleanness, or lack of fouling and scaling is dependent on the medias passing through and how well and frequently the unit is cleaned. A Cleaning-In-Place (CIP) unit can be used when cleaning the unit. Depending of what one expects to find as restraint in the unit one uses different kind of CIP chemicals in order to remove oil and other deposits.

When the PHE shows signs of over-heating and/or poor efficiency it is time for CIP. In order to prevent reaching this point one should clean the unit on regular basis in a Preventive Maintenance program.

Spare parts

Depending of duty and environment the gaskets reach a point where they do not function well. The gasket material has reached the end of its operational life time. This is caused by the working environment, as pressure, temperature, time, processing medias, amount of starts and stops. If the heat exchanger is serviced and monitored regularly in a Preventive Maintenance program the unit does not have to start leak or function poor. Exchange of gaskets shall be performed at regular base, before malfunction as leakage or loss of efficiency occurs.

In order to minimize the risk of emergency shutdowns and loss of production capacity the maintenance stops as CIP and re-gasketing should be well planned ahead. If the PHE process is critical for the installation it could be advisable to have an exchange plate pack in stand-by, is called a strategic plate pack.

Cleaning In Place

Cleanliness, or lack of fouling and scaling is dependent on the media passing through and how well and frequently the unit is cleaned. A Cleaning-In-Place (CIP) unit can be used when cleaning the unit. Depending on what one expects to find as restraint in the unit one uses different kind of CIP chemicals in order to remove oil and other deposits.

Please note that it is important to follow the procedures and instructions that Alfa Laval has issued when cleaning the heat exchanger; the brazed-, welded-, semi-welded- as well as the gasketed heat exchanger.



CIP modules

Model	Article no.	Weight (kg)	Price
CIP 20 230V/50 Hz	3284000501	8	1195
CIP 40 230V/50 Hz	3284000001	15	3511
CIP 40 110V/60 Hz	3284043601	15	3815
CIP 200L 380-415V/50 Hz	969951-00	145	19072
CIP 200L 440-480V/60 Hz	969951-01	145	18210
CIP 200LT Steam	969951-06	145	35571
CIP 200L 380-415V/50 Hz	969951-10	145	17314
CIP 200L 440-480V/60 Hz	969951-11	145	20127
CIP 400L 380-415V/60 Hz	969952-00	235	25546
CIP 400L 440-480V/60 Hz	969952-01	235	25934
CIP 800L 380-415V/50 Hz	969953-00	500	30350
CIP 800L 440-480V/60 Hz	969953-01	500	28650
CIP 800L 380-415V/50 Hz	969953-10	500	32246
CIP 800L 440-480V/60 Hz	969953-11	500	32400
CIP 1800L 380-415V/50 Hz	969954-00	644	42704
CIP 1800L 440-480V/60 Hz	969954-01	644	42912
CIP 1800L 380-415V/50 Hz	969954-10	644	46571
CIP 1800L 440-480V/60 Hz	969954-11	644	47691
CIP 2800L 380-415V/50 Hz	969955-00	788	56190
CIP 2800L 440-480V/60 Hz	969955-01	788	56313

Cleaning chemicals

Model	Article no.	Weight / Volume	Price
Alfa Add (10 litres plastic containers)	3284001902	5 l	197
Alfa Caus (25 litres plastic containers)	3180126126	20 l	150
Alfa Neutra (25 litres plastic containers)	3180126124	20 l	99
Alfa Phos (25 litres plastic containers)	3180126125	20 l	230
Alfa P-Neutra (powder, 5x0.3 kg bags/pcs, min. qty 42 pcs)	3284000601	5x0.3 kg	38
Alfa P-Scale (powder, 5x1 kg bags/pcs, min. qty 17 pcs)	3284000602	5x1 kg	93
Alpacon Descalant (To be ordered from DC TUMBA)	179640413	25 l	203
Alpacon Degreaser (To be ordered from DC TUMBA)	179640514	25 l	191

Technical specification standard CIP units

	CIP20	CIP 40	CIP 200 / 400	CIP 800 / 1800 / 2800
Tank volume in liters	20	40	200 / 400	800 / 1800 / 2800
Pump	Rotor	Rotor	Centrifugal	Centrifugal
Flow rate at 3 mwc	1.1 m ³ /h	2.1 m ³ /h	10 m ³ /h	40 m ³ /h
Electrical heater	n/a	n/a	6 kW alt 12 kW	12 kW
Connection	R 3/4"	R 3/4"	DIN 11851, DN 65	DIN 11851, DN 65
Length of hose	Approx. 2 m	Approx. 2 m	4 m	4 m
Voltage	230V/50 Hz	230V/50 Hz 110V/60 Hz	380-415V/50 Hz 440-480V/60 Hz	380-415V/50 Hz 440-480V/60 Hz
Max. operating temp.	60°C	60°C	70°C	70°C
Material	Polymer	Polymer	SS	SS
Weight empty	8 kg	15 kg	145 / 235 kg	500 / 644 / 788 kg
Size (W X L X H) mm	250 x 500 x 350	320 x 730 x 530	1550 x 475 x 1025	1735 x 2160 x 1260



Auxiliary equipment / Tightening devices

No more excuses of not being able to open and service the gasketed PHE exist. There is a universal pneumatic tightening device that eases the opening and closure of the heat exchanger. This one is available in both single and double models. When compressed air is not available an electric tightening device is available. If neither air nor electricity is available a Ratchet spanner is the only tool to use in order to open and close the PHE. Please specify width of the jaws and the measurements over the flats across the bolts.

Model	Description	Article no.	Weight / Volume	Price
Pneumatic tightening devices				
PHETD80: single*	As below	3284042101	20 kg	13992
PHETD80: double**	As below	3284043301	40 kg	26226
Electric tightening devices				
PHE-ETD80	As below	3284043501	23 kg	17195
Socket key				
Socket key 80/75	M48, NV75, M15	3284000401		1367
Socket key 80/60	M39, NV6	3284000402		1114
Socket key 80/46	M30	3284000403		888
Socket key 46/36	M24	3284000404		756
Socket key 80/65		3284000405		1146
Socket key 80/55		3284000406		984
Other				
Pneumatic wrench unit LMP51 0001-25		3284042201		9565
Adapter		3284042301		1743
Bracket for air handling unit		3284042401		259
Y-piece connector		3284042501		28
Nipple Ergoquick 10	M15 R1½"	3284042601		20
Coupling Ergoquick 10	M15 R1½"	3284042701		137
Set of air hoses	5 m incl. connectors	3284042801		162
Air handling unit with regulator/f lter/lubricator		3284042901		630
Lubrication oil		3284043001	1 l	61
Hard box	1140 x 740 x 400 mm	3284043101		209
Gearbox SG80A		3450149401		2479
Safety cover x 2		3284043201		316

* Incl.	** Incl.
3284042401	3284042401
3284042501	3284042501
3284042601	3284042601
3284042701	3284042701
3284042901	3284042901
	3284042801

Technical specification tightening devices

	PHETD80	PHE-ETD80
Nut width	80 mm	80 mm
Torque max.	3 270 Nm	3 200 Nm
Speed max.	3.75/9 rpm	6 rpm
Weight per piece	17 kg	23 kg
Max. sound level	79 dB (A)	86 dB (A)
Max. air pressure	6.3 bar	
Min. air pressure	3.0 bar	
Air consumption at NTP	19 l/s	
Size	540 x 250 mm	620 x 320 mm
Voltage		100-250 V / 45-66 Hz
Current max.		10 A

Auxiliary equipment / Tightening devices


Other equipment that will benefit your heat exchanger and help you to service, protect and maintain it are: Ratchet spanners to manually open and close the unit. Filters help you to get a trouble-free operation, increases the operating lifetime for the heat exchanger. There are: An automatic self-cleaning pressure filter, mounted directly on the piping system and removes large particles from the liquid. Or a port filter protecting from intermittent fouling or foreign objects from entering during system start-up.

NEWS: The Alfa Laval nutrunner and thread cleaner is a compressed air powered service tool designed to transport nuts on long threads and to efficiently clean bolt threads from rust and dirt.

Model	Description	Article no.	Weight / Volume	Price
Ratchet spanner				
Socket	Width 24 mm, M16	3222031006	0.6 kg	221
Socket	Width 30 mm, M20, NV30	32220310201	0.6 kg	195
Socket	Width 36 mm, M24	3222031016	1.4 kg	314
Socket	Width 46 mm, M30	3222031015	3.0 kg	348
Socket	Width 50 mm, NW50	3222031003	2.5 kg	587
Socket	Width 60 mm, M39, NV6	3222031017	3.5 kg	321
Socket	Width 70 mm, NW70	3222031005	7.4 kg	1278
Socket	Width 75 mm, M48, NV75, M15	3222031018	7.8 kg	1448
Socket	Width 80 mm, M39, M48, M52 NV80	3222031951	8.0 kg	436
Auxiliaries, touch-up and protection				
PHEN80 Thread cleaner of tightening bolts				
Complete kit NUT RUNNER, thread cleaner		3284046801		3106
Nut runner		Incl. drive unit	3284046802	2055
Spare kit A		Washers, o-rings	3284046808	132
Spare kit B		Cutting edges	3284046809	1181
Socket key		AI 80-46	3284046812	130
Socket key		AI 80-65	3284046814	130
Bolt protection sleeves		M24, 50 m	1995101086	10
Bolt protection sleeves		M30, 50 m	1995101082	9
Bolt protection sleeves		M39, 50 m	1995101079	10
Bolt protection sleeves		M48, 50 m	1995101081	14
Glue GC11		2 comp epoxy	3490008393	1 l 253
Glue GC8		Field service 1 comp	3222031793	0.82 l 59
Glue GC1		Adhesive transfer tape	3233084071	14
GC1 gun		Adhesive gun GC1	Tejppistol	279
Thermometers				
Temperature range		10 to 100°C	3224903611	1129
Temperature range		0 to 150°C	3224903613	on request

Training tools	Article no.	Price
Alfa Laval service program PHE reconditioning f lm (in English on CD for PC & Mac)	PS00005ENCD	11
Do it yourself PHE reconditioning instruction f lm (in English on CD for PC & Mac)	PS00004ENCD	11
Cleaning-in-Place for heat exchangers - instruction f lm (in English on CD for PC & Mac)	PS00020EN	11
Heat exchanger service guide (booklet)	VW67222E	20

Model	Minimum flow m ³ /h	Maximum flow m ³ /h	Flushing flow m ³ /h	Comment
Filters, automatic self cleaning				
ALF 10	45	140	25	Please contact your local Alfa Laval representative for quotations.
ALF 20	180	570	95	
ALF 30	400	1300	210	
ALF 40	700	2210	380	
ALF 50	1100	3450	600	
ALF 60	1600	5000	600	

Model	Material	Mesh size	Plate thickness	Design pressure	Comment
Refrigerant distributor					
Available for all plate heat exchangers of M type with porthole size 100 mm and larger					
	AISI 316	1.5 mm & 2.33 mm	1.5 mm	10 barg	Please contact your local Alfa Laval representative for quotations.
Port filters					
Available for all plate heat exchangers of M type with porthole size 100 mm and larger					
	AISI 316	1.5 mm & 2.33 mm	1.5 mm	10 barg	Please contact your local Alfa Laval representative for quotations.

Shell-and-tube heat exchangers

Shell-and-tube heat exchangers

Designations

- OR = On Request
- NA = Not Available

Pressure vessel approvals

To identify the requested pressure vessel approval, please add the following abbreviation after the denomination of the model (for instance DXD 200 CE):

- CE - European Unit (conformity to EU directive PED 97/23/CE)
- SQL - People's Republic of China (Import Boiler and Pressure Vessel Safety quality License)
- GOST - Russia (Conformity to Gost Pressure Vessel Passport of Russia)
- ASME** - USA (Conformity to ASME VIII div. 1 (2010 edition)
- DNV - Conformity to Det Norske Veritas' rules for Classification of Ships
- GL - Conformity to Germanischer Lloyd's Rules for Classification and Construction
- LR - Lloyd's Register
- RINA - Conformity to Registro Italiano Navale's Rules (Boilers and Pressure Vessels)
- RMRS - Conformity to the Rules of Russian Maritime Register of Shipping

The availability of the pressure vessel approval for a specific model needs to be checked in the price list, while the design conditions for different pressure vessel codes need to be checked in the product catalogues.

In case of units required with conformity to a marine classification society rule (DNV, GL, LR, RINA, RMRS), a final test witnessed by an inspector of the classification society is mandatory. A net price contribution, depending on the approval (please check the price list), has to be added. In case units required with conformity to a marine classification society rule (DNV, GL, LR, RINA, RMRS), not present in the price list yet (i.e. evaporators with BV,... approval), please contact the shell-and-tube business support Alfa Laval Alonte, Italy to have the correct price of a dedicated unit design.

Please note that inspection cost has increased from 2013. Please check specific case in the pricelist.

** Evaporators and condensers are supplied with ASME approval and UM stamp. Big size evaporators and condensers are supplied with ASME approval and U stamp requiring the final test of the product witnessed by an ASME inspector. In case of order including U stamp units, a cost contribution of 1200 EUR will be required. Please contact Alfa Laval Alonte, Italy to receive the list of units included in the UM and in the U stamp lists.

Documentation

- The prices of the approved models include the documentation required by the selected approval.
In case of CE approval, the products will be supplied with CE declaration of conformity, instruction manual and CE data label.

- In case of different documentation required consider table below:

Article no.	Documentation description	Details	Net price *
59800302	Welding books	Maps, welder approvals for each item	60
59800303	Mechanical calculation	For each item number	500
59800304	Pressure test	For each unit	50
59800305	Material traceability	For each unit	50
59800306	Non destructive test	Penetrant liquids for each unit	75
59800313	NR13 documentation	For each unit	300

Packaging

Standard prices include fumigated packaging (pallet for deliveries within Italy, wooden crate for shipments outside Italy). Special packaging solutions to be agreed with Alfa Laval Alonte manufacturing.

Painting

Products are supplied with a black (RAL 9011) 30 micron primer painting.

* These prices are fixed and cannot be discounted.

Dryplus-3 Shell-and-tube evaporators – standard models

Easy to order shell-and-tube evaporators - article number based standard models.
These models are defined as standard: without feet and with standard materials.



Model	Article no.	Article no. Optional brackets	Capacity (kW) R407C	Dimensions (mm) L x Ø	Weight (kg)	Price (without brackets)
DXS 18	3287200121	10099200	19	887 x 140	53	1642
DXS 28	3287200122	10099200	28	1037 x 140	62	1685
DXS 35	3287200123	10099200	35	1257 x 140	67	1775
DXS 47	3287200124	10099200	47	1407 x 140	70	1856
DXS 56	3287200125	10099201	56	1281 x 168	92	2266
DXS 65	3287200126	10099201	65	1431 x 168	97	2340
DXS 80	3287200127	10099201	80	1631 x 168	105	2473
DXS 95	3287200128	10099201	95	1781 x 168	109	2522
DXS 120	3287200129	10099202	120	1815 x 164	135	2876
DXS 135	3287200130	10099202	135	2115 x 194	150	3376
DXS 165	3287200131	10099202	165	2315 x 194	165	3474
DXS 200	3287200048	10099203	200	2320 x 219	200	4190
DXS 240	3287200049	10099203	240	2620 x 219	215	4658
DXS 300	3287200050	10099204	300	2654 x 273	325	5790
DXS 345	3287200051	10099204	345	2654 x 273	325	5993
DXS 385	3287200067	10099204	385	2654 x 273	350	6595
DXS 450	3287200052	10099205	450	2697 x 324	440	8466
DXS 505	3287200053	10099205	505	2697 x 324	455	9179
DXS 570	3287200054	10099205	570	2697 x 324	480	9896
DXD 660	3287200055	10099206	660	2744 x 406	655	13024
DXD 770	3287200056	10099206	770	2744 x 406	685	14120
DXD 915	3287200057	10099206	915	2744 x 406	725	15057
DXD 1000	3287200058	10099206	1000	3244 x 406	815	18785
DXS 160R	3287200247	10099203	160	1820 x 219	190	3459
DXS 210R	3287200060	10099203	210	1820 x 219	255	4947
DXS 235R	3287200061	10099204	235	1850 x 273	270	5129
DXS 275R	3287200062	10099204	275	1850 x 273	285	5435
DXS 390R	3287200063	10099205	390	2180 x 324	360	7663
DXS 420R	3287200064	10099205	420	2180 x 324	380	8113
DXS 480R	3287200065	10099205	480	2180 x 324	400	8927

All products are CE approved.

Water connection TOP side.

DXS = 1 refrigerant circuit, DXD = 2 refrigerant circuits.

1P = one water pass, 2P = two water passes, 4P = four water passes.

Refrigerant R407C.

Water inlet temperature = 12°C; Water outlet temperature = 7°C

Evaporation temperature = 2.75°C; superheating = 5 K.

Shell material: carbon steel.

Tubes material: copper.

Packaging is included in weight.



Pure Cooler Shell-and-tube evaporators – standard models
 Easy to order shell-and-tube evaporators - article number based standard models.
 These models are defined as standard: without feet and with standard materials.

Model	Article no.	Article no. Optional brackets	Capacity (kW) R134a	Dimensions (mm) L x Ø	Weight (kg)	Price (without brackets)
PCS226-1 HE	3287200132	10099203	165	2338 x 219	228	5400
PCS227-1 HE	3287200133	10099203	205	2338 x 219	235	5780
PCS227-2 HE	3287200134	10099203	255	2888 x 219	264	5954
PCS276-2 HE	3287200135	10099204	325	2888 x 273	381	6545
PCS277-2 HE	3287200136	10099204	375	2888 x 273	391	6902
PCS326-2 HE	3287200137	10099205	445	2918 x 324	512	9086
PCS327-2 HE	3287200138	10099205	480	2918 x 324	525	9587
PCS328-2 HE	3287200139	10099205	570	2918 x 324	537	9973
PCS416-2 HE	3287200140	10099206	635	2928 x 406	747	13087
PCS417-2 HE	3287200141	10099206	705	2928 x 406	767	13879
PCS418-2 HE	3287200142	10099206	775	2928 x 406	783	14202
PCS419-2 HE	3287200143	10099206	840	2928 x 406	798	14879
PCD226-1 HE	3287200144	10099203	165	2338 x 219	228	5414
PCD227-1 HE	3287200145	10099203	200	2339 x 219	235	5625
PCD227-2 HE	3287200146	10099203	260	2888 x 219	264	5792
PCD276-2 HE	3287200147	10099204	310	2888 x 273	381	6426
PCD277-2 HE	3287200148	10099204	355	2888 x 273	391	6837
PCD326-2 HE	3287200149	10099205	440	2918 x 324	512	9007
PCD327-2 HE	3287200150	10099205	500	2918 x 324	525	9569
PCD328-2 HE	3287200151	10099205	550	2918 x 324	537	9997
PCD416-2 HE	3287200152	10099206	635	2928 x 406	747	12976
PCD417-2 HE	3287200153	10099206	705	2928 x 406	767	13632
PCD418-2 HE	3287200154	10099206	775	2928 x 406	783	14457
PCD419-2 HE	3287200155	10099206	845	2928 x 406	798	14793
PCD416-3 HE	3287200156	10099206	700	3498 x 406	817	13787
PCD417-3 HE	3287200157	10099206	785	3498 x 406	841	14838
PCD418-3 HE	3287200158	10099206	860	3498 x 406	859	15393
PCD419-3 HE	3287200159	10099206	935	3498 x 406	877	15855

All products are CE approved.

R134a high efficiency.

PCS = 1 refrigerant circuit, PCD = 2 refrigerant circuits.

Refrigerant R134a.

Water inlet temperature = 12°C; Water outlet temperature = 7°C

Evaporation temperature = 2.75°C; superheating = 5 K.

Water pressure drop: max. 70 kPa

Shell material: carbon steel.

Tubes material: copper.

Packaging is included in weight.

CDEW Shell-and-tube condensers – standard models

Easy to order shell-and-tube condensers - article number based standard models.
These models are defined as standard: without feet and with standard materials.



Model	Article no.	Capacity (kW) R404A	Dimensions (mm) L x Ø	Weight (kg)	Price
CDEW-60 T	10059400	55	1500 x 168	83	1655
CDEW-80T	10059401	75	1500 x 168	86	1774
CDEW-100 T	10059402	100	1500 x 168	90	1960
CDEW-120 T	10059403	120	1500 x 168	93	2081
CDEW-135 T	10059404	135	1500 x 168	113	2223
CDEW-165 T	10059405	165	1740 x 194	133	2806
CDEW-190 T	10059406	190	1740 x 194	136	2903
CDEW-215 T	10059407	215	1740 x 194	139	3047
CDEW-240 T	10059408	240	1940 x 194	149	3234
CDEW-260 T	10059409	260	1970 x 273	235	4542
CDEW-300 T	10059410	300	1970 x 273	243	5126
CDEW-360 T	10059411	360	1970 x 273	255	5520
CDEW-400 T	10059412	400	1970 x 273	262	5768
CDEW-450 T	10059413	450	1970 x 273	267	5982
CDEW-470 T	10059414	470	1980 x 324	335	7561
CDEW-520 T	10059415	520	1980 x 324	345	7889
CDEW-550 T	10059416	550	1980 x 324	335	8327
CDEW-610 T	10059417	610	1980 x 406	491	11527
CDEW-680 T	10059418	680	1980 x 406	502	11982
CDEW-760 T	10059419	760	1980 x 406	517	12589
CDEW-840 T	10059420	840	1980 x 406	532	13196
CDEW-900 T	10059421	900	2167 x 457	657	16779
CDEW-940 T	10059422	940	2167 x 457	668	17205
CDEW-1040 T	10059423	1040	2167 x 457	687	17963
CDEW-1100 T	10059424	1100	2194 x 508	796	19949
CDEW-1220 T	10059425	1220	2194 x 508	810	20564
CDEW-1360 T	10059426	1360	2194 x 508	833	21397
CDEW-1520 T	10059427	1520	2196 x 558	973	30290
CDEW-1680 T	10060472	1680	2196 x 558	1003	33250

All products are CE approved.

Two water passes version.

Refrigerant R404A.

Water inlet temperature = 29.4°C

Inlet refrigerant temperature = 85°C; condensing temperature = 40°C; subcooling = 3K.

Fouling factor = 0.000043 m² K/W.

Water pressure drop: max. 50 kPa.

Shell material: carbon steel.

Tubes material: copper.

Packaging is included in weight.

CDEW-E Shell-and-tube condensers – standard models

Easy to order shell-and-tube condensers - article number based standard models.
These models are defined as standard: without feet and with standard materials.



Model	Article no.	Capacity (kW) R134a	Dimensions (mm) L x Ø	Weight (kg)	Price
CDEW-E155 T	10060092	155	2540 x 194	199	3844
CDEW-E170 T	10060093	168	2540 x 194	204	3973
CDEW-E185 T	10060094	183	2540 x 194	209	4180
CDEW-E215 T	10060087	215	2570 x 273	302	5465
CDEW-E260 T	10060088	260	2570 x 273	316	6357
CDEW-E315 T	10060089	315	2570 x 273	332	6742
CDEW-E350 T	10060090	350	2570 x 273	341	6968
CDEW-E370 T	10060091	370	2570 x 273	348	7082
CDEW-E395 T	10060084	395	2580 x 324	436	9107
CDEW-E440 T	10060085	440	2580 x 324	450	9322
CDEW-E480 T	10060086	480	2580 x 324	462	9678
CDEW-E520 T	10060080	520	2580 x 406	643	13670
CDEW-E570 T	10060081	570	2580 x 406	658	14086
CDEW-E640 T	10060082	640	2580 x 406	678	14691
CDEW-E705 T	10060083	705	2580 x 406	698	15383

All products are CE approved.

Two water passes version.

Refrigerant R134a.

Water inlet temperature = 29.4°C

Inlet refrigerant temperature = 85°C; condensing temperature = 37.5°C; subcooling = 3K.

Fouling factor = 0.000043 m² K/W.

Water pressure drop: max. 50 kPa.

Shell material: carbon steel.

Tubes material: copper.

Packaging is included in weight.

CXP Shell-and-tube condensers – standard models

Easy to order shell-and-tube condensers - article number based standard models.
These models are defined as standard: without feet and with standard materials.



Model	Article no.	Capacity (kW) R404A	Dimensions (mm) L x Ø	Weight (kg)	Price
CXP 111-XXS-4P	3287220023	8	569 x 114	33	730
CXP 112-XXS-4P	3287220024	13	569 x 114	34	910
CXP 113-XXS-4P	3287220025	17	569 x 114	35	1135
CXP 111-XS-2P	3287220005	19	973 x 114	38	1170
CXP 112-XS-2P	3287220004	25	973 x 114	39	1243
CXP 113-XS-2P	3287220002	32	973 x 114	41	1315
CXP 142-XS-2P	3287220007	42	981 x 141	57	1520
CXP 143-XS-2P	3287220010	52	981 x 141	58	1589
CXP 144-XS-2P	3287220011	60	981 x 141	60	1659
CXP 142-S-2P	3287220000	67	1381 x 141	72	1787
CXP 143-S-2P	3287220012	75	1381 x 141	75	1903
CXP 144-S-2P	3287220013	85	1381 x 141	77	2012
CXP 161-S-2P	3287220014	105	1396 x 168	90	2358
CXP 162-S-2P	3287220009	115	1396 x 168	92	2423
CXP 163-S-2P	3287220001	125	1396 x 168	94	2520
CXP 161-M-1P	3287220015	166	1906 x 168	110	2617
CXP 162-M-1P	3287220016	185	1907 x 168	114	2710
CXP 163-M-1P	3287220017	205	1908 x 168	117	2799

All products are CE approved.

1P = one water pass, 2P = two water passes, 4P = four water passes.

Refrigerant R404A.

Water inlet temperature = 30°C

Inlet refrigerant temperature = 85°C; condensing temperature = 40°C; subcooling = 3K.

Fouling factor = 0.000043 m² K/W.

Water pressure drop: max. 50 kPa.

Shell material: carbon steel.

Tubes material: copper.

Packaging is included in weight.



DM shell-and-tube dry expansion evaporators

The new DM evaporator has been developed for commercial and industrial refrigeration cooling applications medium temperatures, as supermarket or industrial process cooling. The DM design has been optimized for R407F and R134a refrigerants. With its innovative single-pass counter-current design, the Alfa Laval new DM shell and-tube evaporator series guarantees maximum efficiency. Cooling capacity up to 1000 kW in medium temperature conditions (-4/-8°C prop glycol 38%, tevap: -12°C). Design temperature: -40°C

Model	CE Price	Welded supports Price	Vic-Flanges Price
DM1-225-2	7738	113	373
DM1-226-2	8222	113	373
DM1-227-2	8846	113	373
DM1-276-2	11134	186	400
DM1-277-2	11580	186	400
DM1-326-2	14315	186	450
DM1-327-2	14827	186	450
DM1-328-2	15639	186	450
DM1-225-3	8232	113	373
DM1-226-3	8747	113	373
DM1-227-3	9410	113	373
DM1-276-3	11845	186	400
DM1-277-3	12319	186	400
DM1-326-3	15229	186	450
DM1-327-3	15774	186	450
DM1-328-3	16637	186	450
DM2-225-2	7896	113	373
DM2-226-2	8390	113	373
DM2-227-2	9026	113	373
DM2-276-2	11362	186	400
DM2-277-2	11816	186	400
DM2-326-2	14608	186	450
DM2-327-2	15130	186	450
DM2-328-2	15958	186	450
DM2-416-2	19029	265	525
DM2-417-2	19928	265	525
DM2-418-2	20814	265	525
DM2-419-2	21947	265	525
DM2-516-2	29709	645	600
DM2-517-2	31140	645	600
DM2-518-2	32181	645	600
DM2-519-2	33469	645	600
DM2-225-3	8400	113	373
DM2-226-3	8925	113	373
DM2-227-3	9602	113	373
DM2-276-3	12087	186	400
DM2-277-3	12570	186	400
DM2-326-3	15540	186	450
DM2-327-3	16096	186	450
DM2-328-3	16976	186	450
DM2-416-3	20244	265	525
DM2-417-3	21200	265	525
DM2-418-3	22142	265	525
DM2-419-3	23348	265	525
DM2-516-3	31605	645	600
DM2-517-3	33128	645	600
DM2-518-3	34235	645	600

Number of refrigerant circuits

- DM1 models have one refrigerant circuit
- DM2 models have two refrigerant circuits
- DM3 models have three refrigerant circuits

Baffle version	Price multiplier
H = Tube bundle with reduced baffles distance	1.00
M = Tube bundle with increased baffles distance	1.00

Units with different baffle versions have the same price as standard units
 Standard configuration is with TOP water connections. On request we can provide water connection right (R) or left (L) position.

DM shell-and-tube dry expansion evaporators

The new DM evaporator has been developed for commercial and industrial refrigeration cooling applications medium temperatures, as supermarket or industrial process cooling. The DM design has been optimized for R407F and R134a refrigerants. With its innovative single-pass counter-current design, the Alfa Laval new DM shell and-tube evaporator series guarantees maximum efficiency. Cooling capacity up to 1000 kW in medium temperature conditions (-4/-8°C prop glycol 38%, tevap: -12°C). Design temperature: -40°C



Model	CE Price	Welded supports Price	Vic-Flanges Price
DM3-225-2	8133	113	373
DM3-226-2	8641	113	373
DM3-227-2	9297	113	373
DM3-276-2	11702	186	400
DM3-277-2	12171	186	400
DM3-326-2	15046	186	450
DM3-327-2	15584	186	450
DM3-328-2	16436	186	450
DM3-225-3	8652	113	373
DM3-226-3	9193	113	373
DM3-227-3	9890	113	373
DM3-276-3	12449	186	400
DM3-277-3	12947	186	400
DM3-326-3	16006	186	450
DM3-327-3	16579	186	450
DM3-328-3	17486	186	450

Number of refrigerant circuits

DM1 models have one refrigerant circuit

DM2 models have two refrigerant circuits

DM3 models have three refrigerant circuits

Baffle version	Price multiplier
H = Tube bundle with reduced baffles distance	1.00
M = Tube bundle with increased baffles distance	1.00

Units with different baffle versions have the same price as standard units

Standard configuration is with TOP water connections. On request we can provide water connection right (R) or left (L) position.



Dryplus-3 Shell-and-tube dry expansion evaporators

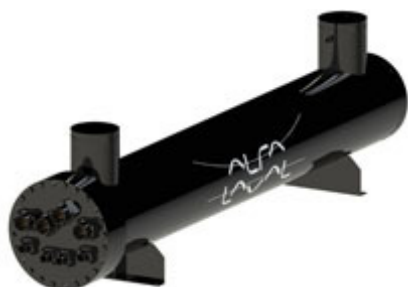
A series of heat exchangers optimized in order to ensure high evaporation performances in combination with R407C, R22, R404A, R507 and the other most used HCFC and HFC refrigerants. Nominal cooling capacities ranging from 18 to 1500 kW. Models from DX_18 to DX_1000 are suitable as a standard for heat pump (condensation) operation.

Model	CE Price	GOST - SQL Price	ASME Price	Welded supports Price	Insulation Price	Flanges* Price	4 pass ref.**
DXS18	1642	1675	1807	78	439	168	A
DXS28	1685	1719	1852	78	444	168	A
DXS35	1775	1810	1952	78	451	183	A
DXS47	1856	1893	2041	78	470	183	A
DXS56	2266	2311	2494	79	558	194	A
DXS65	2340	2387	2573	79	563	194	A
DXS80	2473	2522	2720	79	576	194	A
DXS95	2522	2573	2775	79	578	194	A
DXS120	2876	2933	3163	89	638	248	A
DXS135	3376	3444	3714	89	668	248	A
DXS165	3474	3544	3821	89	677	248	A
DXS200	4190	4274	4609	113	677	399	A
DXS240	4658	4751	5123	113	839	399	A
DXS300	5790	5905	6370	186	1002	450	A
DXS345	5993	6112	6592	186	1002	450	A
DXS385	6595	6727	7255	186	1002	450	A
DXS450	8466	8635	9312	186	1113	467	A
DXS505	9179	9363	10097	186	1113	467	A
DXS570	9896	10094	10885	186	1113	467	A
DXS160R	3459	3528	3805	113	814	248	A
DXS210R	4947	5046	5441	186	901	399	A
DXS235R	5129	5232	5642	186	901	399	A
DXS275R	5435	5544	5979	186	901	399	A
DXS390R	7663	7816	8430	186	1108	467	A
DXS420R	8113	8276	8925	186	1108	467	A
DXS480R	8927	9106	9819	186	1108	467	A
DXD35	1847	1884	2032	78	451	183	NA
DXD47	1927	1966	2119	78	470	183	NA
DXD56	2345	2392	2579	79	558	194	A
DXD65	2415	2464	2656	79	563	194	A
DXD80	2498	2548	2747	79	576	194	A
DXD95	2549	2600	2804	79	578	194	A
DXD120	2978	3037	3275	89	638	248	A
DXD135	3477	3547	3825	89	668	248	A
DXD165	3589	3660	3947	89	677	248	A
DXD200	4204	4289	4625	113	677	399	A
DXD240	4669	4762	5135	113	839	399	A
DXD300	5945	6064	6538	186	1002	450	A
DXD345	6168	6291	6785	186	1002	450	A
DXD385	6749	6884	7423	186	1002	450	A
DXD450	8594	8766	9453	186	1113	467	A
DXD505	9451	9640	10396	186	1113	467	A
DXD570	10141	10344	11155	186	1113	467	A
DXD660	13024	13285	14326	265	1252	580	A
DXD770	14120	14403	15532	265	1252	580	A
DXD915	15057	15358	16562	265	1252	580	A
DXD1000	18785	19161	20664	265	1439	580	A
DXD1100	22127	22570	24341	538	1445	580	A
DXD1200	25065	25566	27572	538	1627	580	A
DXD1350	30544	31154	33598	645	1834	580	A
DXD1500	33186	33849	36504	645	1834	580	A
DXD160R	3589	3660	3947	133	814	248	A
DXD210R	5058	5159	5564	186	901	399	A
DXD235R	5243	5348	5768	186	901	399	A
DXD275R	5616	5728	6177	186	901	399	A
DXD390R	8033	8194	8836	186	1108	467	A
DXD420R	8484	8654	9332	186	1108	467	A
DXD480R	9298	9484	10227	186	1108	467	A

Flanges*: Version with f anges brine side UNI EN 1092-1 PN16
 4 pass ref.**: 4 pass refrigerant side available
 A = Available, NA = Not Available

Dryplus-3 Shell-and-tube dry expansion evaporators

A series of heat exchangers optimized in order to ensure high evaporation performances in combination with R407C, R22, R404A, R507 and the other most used HCFC and HFC refrigerants. Nominal cooling capacities ranging from 18 to 1500 kW. Models from DX_18 to DX_1000 are suitable as a standard for heat pump (condensation) operation.



Model	CE Price	GOST - SQL Price	ASME Price	Welded supports Price	Insulation Price	Flanges* Price	4 pass ref.**
DXT120	3112	3174	3423	89	638	248	NA
DXT135	3631	3703	3993	89	668	248	NA
DXT165	3723	3798	4096	89	677	248	NA
DXT200	4402	4490	4842	113	677	399	NA
DXT240	4925	5024	5419	113	839	399	NA
DXT300	6268	6393	6894	186	1002	450	NA
DXT345	6420	6548	7062	186	1002	450	NA
DXT385	6835	6972	7518	186	1002	450	NA
DXT450	8949	9128	9844	186	1113	467	NA
DXT505	9795	9991	10775	186	1113	467	NA
DXT570	10484	10694	11533	186	1113	467	NA
DXT660	13762	14037	15139	265	1252	580	NA
DXT770	14793	15089	16272	265	1252	580	NA
DXT915	16557	16888	18212	265	1252	580	NA
DXT1000	19710	20104	21680	265	1439	580	NA
DXT1100	22458	22907	24705	538	1445	580	NA
DXT1200	25400	25908	27939	538	1627	580	NA
DXT1350	31931	32570	35125	645	1834	580	NA
DXT1500	34347	35034	37782	645	1834	580	NA
DXT160R	3740	3815	4114	113	814	248	NA
DXT210R	5384	5419	5924	186	901	399	NA
DXT235R	5566	5677	6122	186	901	399	NA
DXT275R	5871	5988	6458	186	901	399	NA
DXT390R	8392	8560	9232	186	1108	467	NA
DXT420R	8845	9022	9728	186	1108	467	NA
DXT480R	9655	9848	10620	186	1108	467	NA
DXQ200	4493	4583	4942	113	677	399	NA
DXQ240	4939	5038	5432	113	839	399	NA
DXQ300	6282	6408	6910	186	1002	450	NA
DXQ345	6473	6602	7119	186	1002	450	NA
DXQ385	6887	7024	7575	186	1002	450	NA
DXQ450	8988	9168	9887	186	1113	467	NA
DXQ505	9833	10030	10817	186	1113	467	NA
DXQ570	10524	10734	11576	186	1113	467	NA
DXQ660	13868	14145	15255	265	1252	580	NA
DXQ770	14967	15266	16465	265	1252	580	NA
DXQ915	16736	17071	18410	265	1252	580	NA
DXQ1000	20408	20817	22449	265	1439	580	NA
DXQ1100	23010	23470	25311	538	1445	580	NA
DXQ1200	26517	27048	29169	538	1627	580	NA
DXQ1350	32029	32669	35232	645	1834	580	NA
DXQ1500	34669	35362	38136	645	1834	580	NA
DXQ160R	3824	3901	4208	113	814	248	NA
DXQ210R	5473	5583	6020	186	901	399	NA
DXQ235R	5620	5732	6182	186	901	399	NA
DXQ275R	5926	6044	6518	186	901	399	NA
DXQ390R	8436	8604	9279	186	1108	467	NA
DXQ420R	8885	9062	9774	186	1108	467	NA
DXQ480R	9698	9892	10669	186	1108	467	NA

Flanges*: Version with flanges brine side UNI EN 1092-1 PN16

4 pass ref.**: 4 pass refrigerant side available

A = Available, NA = Not Available

Baffle version	Price multiplier
H = Tube bundle with reduced baffles distance	1.03
X = Tube bundle with extra-reduced baffles distance. Available only for Dryplus-3 series	1.05



Dryplus-E Shell-and-tube dry expansion evaporators

Specially designed for R134a evaporators, these heat exchangers ensure the most accurate performance for high efficiency cooling systems and chillers. Nominal cooling capacities ranging from 130 to 1420 kW. Special versions for heat pump (condensation) and low temperature operation.

Model	CE Price	GOST / SQL Price	ASME Price	Welded supports Price	Insulation Price	Flanges* Price	4 pass ref.**
DES130	4435	4542	4899	113	677	248	A
DES175	6451	6580	7096	186	901	399	A
DES240	6851	6988	7535	186	901	399	A
DES265	8990	9170	9889	186	1113	450	A
DES315	9299	9485	10229	186	1113	450	A
DES350	9668	9861	10635	186	1113	450	A
DED130	4481	4570	4929	113	677	248	NA
DED175	6538	6669	7192	186	901	399	NA
DED240	6902	7040	7593	186	901	399	NA
DED265	9439	9628	10383	186	1113	450	NA
DED315	9740	9934	10714	186	1113	450	NA
DED350	10108	10311	11119	186	1113	450	NA
DED440	14470	14760	15918	265	1252	467	A
DED535	15218	15523	16741	265	1252	467	A
DED585	16080	16402	17689	265	1439	467	A
DED645	21003	21423	23103	538	1445	580	A
DED715	23824	24300	26207	538	1627	580	A
DED745	26349	26876	28985	645	1834	580	A
DED860	27703	28257	30474	645	1834	580	A
DED955	30233	30837	33257	645	1834	580	A
DED1100	41777	42612	45954	686	1834	580	A
DED1220	44718	45613	49191	686	1834	580	A
DET130	4970	5069	5467	113	677	248	NA
DET175	6511	6641	7162	186	901	399	NA
DET240	7572	7723	8330	186	901	399	NA
DET265	10239	10444	11264	186	1113	450	NA
DET315	10533	10743	11585	186	1113	450	NA
DET350	11271	11497	12398	186	1113	450	NA
DET440	15748	16063	17324	265	1252	467	NA
DET535	17433	17781	19176	265	1252	467	NA
DET585	18347	18714	20183	265	1439	467	NA
DET645	23720	24194	26092	538	1445	580	NA
DET715	26723	27258	29395	538	1627	580	NA
DET745	31231	31855	34354	645	1834	580	NA
DET860	33118	33780	36428	645	1834	580	NA
DET955	36057	36778	39663	645	1834	580	NA
DET1100	42905	43763	47196	686	1834	580	NA
DET1220	46246	47171	50871	686	1834	580	NA
DET1290	50034	51035	55037	825	2152	580	NA
DET1420	55966	57085	61562	825	3465	580	NA
DEQ440	16043	16364	17647	265	1252	467	NA
DEQ535	17781	18137	19559	265	1252	467	NA
DEQ585	18713	19087	20585	265	1439	467	NA
DEQ645	24218	24703	26640	538	1445	580	NA
DEQ715	27260	27805	29985	538	1627	580	NA
DEQ745	31854	32491	35040	645	1834	580	NA
DEQ860	33781	34457	37158	645	1834	580	NA
DEQ955	36779	37515	40457	645	1834	580	NA
DEQ1100	43763	44638	48138	686	1834	580	NA
DEQ1220	47171	48114	51888	686	1834	580	NA
DEQ1290	51032	52053	56135	825	2152	580	NA
DEQ1420	57085	58226	62793	825	3465	580	NA

Flanges *: Version with f anges brine side UNI EN 1032-1 PN16

4 pass ref. **: 4 pass refrigerant side available

A = Available, NA = Not Available

Baffle version	Price multiplier
H = Tube bundle with reduced baffles distance	1.03
Square version	Price multiplier
Round version is standard, on request a square version is available	1.055

Dryplus-3 and Dryplus-E dry expansion evaporators options/accessories

A wide range of options/accessories is available for Dryplus-3 and Dryplus-E evaporators. A series of CE approved integrated tanks, designed to include the evaporator, is available with capacities from 240 to 3,000 litres.



Low temperature version	Price multiplier
BT version for operation up to -40°C with CE approval	1.06
Special material versions	
Exchange tubes and tube sheet stainless steel AISI 316L and carbon steel shell	2.0
Exchange tubes, tube sheet, shell and shell side connections in stainless steel AISI 316L	2.8
Exchange tubes in copper; tube sheet, shell and shell side connections in stainless steel AISI 316L	1.9
Carbon steel tubes (not available for units bigger than DX1350 and DE745)	1.7
Copper/Nickel tubes (Cu/Ni 90/10) with AISI 316L tube sheet	2.0
Plastic buff es for Dryplus-3 and Dryplus-E	1.01
Special 4 passes version	
In case of low refrigerant velocity a special 4P version is available	1.05
Special shell length	
Shell + 500 mm	1.05
Flanges in stainless steel	
Kit fanges, bolts in stainless steel AISI 316L	5.0

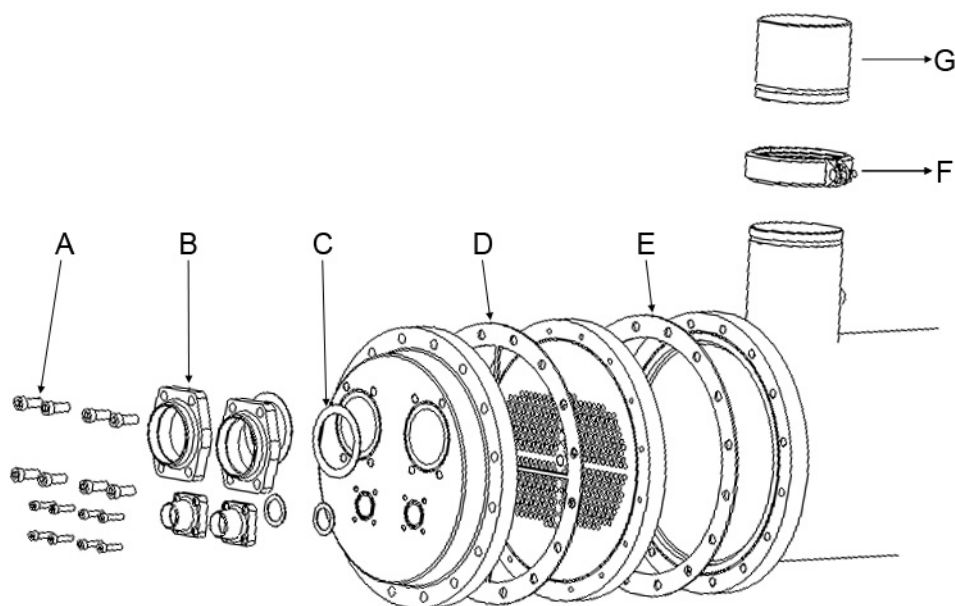
IT integrated water tanks for evaporators	Price multiplier
In case of IT water tanks with a design pressure of 16 bar water side	1.5

Extra price for special execution on refrigerant side (see catalogue)			
Model	ODS mm	ODS inch	Extra price
FA	35 , 42 , 54	2-1/8 , 1-3/8	46
FB	54 , 67	2-5/8 , 2-1/8	58
FC	67 , 89	2-5/8 , 3-1/8	93

IT integrated water tanks for evaporators *				
Model	Capacity L	Shell-and-tube evaporator model	Shell-and-tube evaporator model	Price
IT 240	240	DX 18, 28, 35, 47	NA	939
IT 470	470	DX 56, 65, 80, 95	NA	1735
IT 610	610	DX 120, 135, 165	NA	2218
IT 1100	1100	DX 200, 240, 160R	DE 130	2900
IT 1400	1400	DX 300, 345, 385, 210R, 235R, 275R	DE 175, 240	3792
IT 2000	2000	DX 450, 505, 570, 390R, 420R, 480R	DE 265, 315, 350	5073
IT 2500	2500	DX 660, 770, 915, 1000	DE 440, 535, 585	5400
IT 3000	3000	DX 1000 (+500 mm)	NA	6879

* IT tanks are only sold along with evaporators. Add the tank price to the selected evaporator.

Supports for shell-and-tube evaporators			
Article no.	Model	Shell diameter (mm)	Brackets (couple) Price
10099200	DX 18-28, 35-47	D = 140	196
10099201	DX 56-65, 80-95	D = 168	198
10099202	DX 120-135-165	D = 194	200
10099203	DX 200-240-160R - DE 130	D = 219	204
10099204	DX 300-345-385-210R-235R-275R - DE 175-240	D = 273	248
10099205	DX 450-505-570-390R-420R-480R - DE 265-315-350	D = 324	284
10099206	DX 660-770-915-1000 - DE 440-535-585	D = 406	350



Spare parts for Dryplus-3 Shell-and-tube evaporators

Model	Gasket header kit ^a		Gasket refrigerant connections kit ^b		Refrigerant connections kit ^c		Water connections kit ^d	
	Article no.	Price	Article no.	Price	Article no.	Price	Article no.	Price
DXS18-47	SPDRY0001	137	SPDRY0100	67	SPDRY0200	78	NA*	
DXD35-47	SPDRY0002	115	SPDRY0101	68	SPDRY0201	119	NA*	
DXS56-95	SPDRY0003	143	SPDRY0102	69	SPDRY0202	127	NA*	
DXD56-95	SPDRY0004	143	SPDRY0103	68	SPDRY0203	121	NA*	
DXS120	SPDRY0005	152	SPDRY0104	74	SPDRY0204	156	NA*	
DXD120-165	SPDRY0006	152	SPDRY0105	74	SPDRY0205	170	NA*	
DXS135-165	SPDRY0005	132	SPDRY0106	74	SPDRY0206	156	NA*	
DXT120-165	SPDRY0007	173	SPDRY0107	66	SPDRY0207	156	NA*	
DXS160R*, 200-240	SPDRY0008	183	SPDRY0106	74	SPDRY0206	156	SPDRY0304	172
DXD160R*, 200-240	SPDRY0009	183	SPDRY0109	74	SPDRY0209	203	SPDRY0304	172
DXT160R*, 200-240	SPDRY0010	160	SPDRY0110	74	SPDRY0210	203	SPDRY0304	172
DXQ160R*, 200-240	SPDRY0011	164	SPDRY0111	66	SPDRY0211	203	SPDRY0304	172
DXS210R, 235R, 275R, 300, 345, 385	SPDRY0012	206	SPDRY0112	73	SPDRY0212	203	SPDRY0305	204
DXD210R, 235R, 275R, 300, 345, 385	SPDRY0013	206	SPDRY0113	81	SPDRY0213	273	SPDRY0305	204
DXT210R, 235R, 275R, 300, 345, 385	SPDRY0014	193	SPDRY0114	81	SPDRY0214	273	SPDRY0305	204
DXQ210R, 235R, 275R, 300, 345, 385	SPDRY0015	194	SPDRY0115	67	SPDRY0215	420	SPDRY0305	204
DXS390R, 420R, 480R, 450, 505, 570	SPDRY0016	245	SPDRY0112	73	SPDRY0212	203	SPDRY0307	244
DXD390R, 420R, 480R, 450, 505, 570	SPDRY0017	245	SPDRY0117	80	SPDRY0217	394	SPDRY0307	244
DXT390R, 420R, 480R, 450, 505, 570	SPDRY0018	207	SPDRY0118	88	SPDRY0218	506	SPDRY0307	244
DXQ390R, 420R, 480R, 450, 505, 570	SPDRY0019	224	SPDRY0119	91	SPDRY0219	404	SPDRY0307	244
DXD660-1000	SPDRY0020	270	SPDRY0117	80	SPDRY0217	394	SPDRY0308	316
DXT660-1000	SPDRY0021	247	SPDRY0121	87	SPDRY0221	513	SPDRY0308	316
DXQ660-1000	SPDRY0022	248	SPDRY0122	96	SPDRY0222	424	SPDRY0308	316
DXD1100-1200	SPDRY0023	321	SPDRY0117	80	SPDRY0217	394	SPDRY0308	316
DXT1100-1200	SPDRY0024	343	SPDRY0124	87	SPDRY0221	513	SPDRY0308	316
DXQ1100-1200	SPDRY0025	343	SPDRY0122	96	SPDRY0222	424	SPDRY0308	316
DXD1350-1500	SPDRY0026	345	SPDRY0126	80	SPDRY0226	541	SPDRY0308	316
DXT1350-1500	SPDRY0027	351	SPDRY0127	87	SPDRY0221	513	SPDRY0308	316
DXQ1350-1500	SPDRY0028	364	SPDRY0122	96	SPDRY0222	424	SPDRY0308	316

*Threaded water connections, no kit available

^a D + E (see picture)

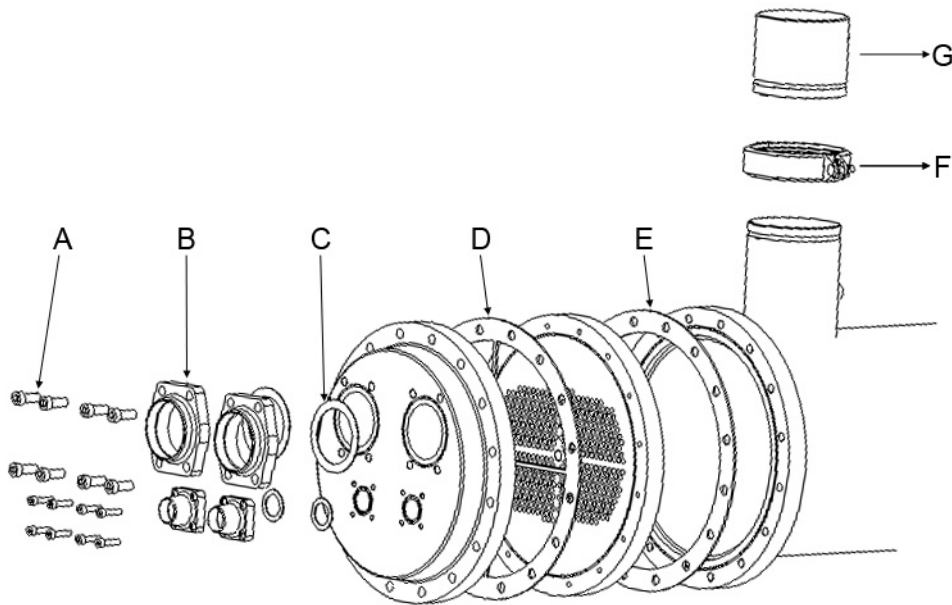
^b C (see picture)

^c A + B + C (see picture)

^d G + F (see picture)

The standard kits are available without LOCTITE 5922 glue. If you need loctite with the kit please add a request for code:

SPDRY0470: Price EUR 76



Spare parts for Dryplus-E Shell-and-tube evaporators

Model	Gasket header kit ^a		Gasket refrigerant connections kit ^b		Refrigerant connections kit ^c		Water connections kit ^d	
	Article no.	Price	Article no.	Price	Article no.	Price	Article no.	Price
DES130	SPDRY0400	171	SPDRY0423	73	SPDRY0446	234	SPDRY0303	143
DES175-240	SPDRY0401	195	SPDRY0424	73	SPDRY0447	234	SPDRY0304	172
DES265-350	SPDRY0402	236	SPDRY0425	73	SPDRY0448	256	SPDRY0305	204
DED130	SPDRY0403	171	SPDRY0426	73	SPDRY0449	256	SPDRY0303	143
DED175-240	SPDRY0404	195	SPDRY0427	73	SPDRY0450	256	SPDRY0304	172
DED265-350	SPDRY0405	236	SPDRY0428	80	SPDRY0451	256	SPDRY0305	204
DED440-585	SPDRY0406	262	SPDRY0429	88	SPDRY0452	256	SPDRY0307	244
DED645-715	SPDRY0407	304	SPDRY0430	88	SPDRY0453	304	SPDRY0308	316
DED745-955	SPDRY0408	373	SPDRY0431	89	SPDRY0454	304	SPDRY0308	316
DED1100-1220	SPDRY0409	364	SPDRY0432	89	SPDRY0455	352	SPDRY0308	316
DET130	SPDRY0410	171	SPDRY0433	89	SPDRY0456	373	SPDRY0303	143
DET175-240	SPDRY0411	195	SPDRY0434	89	SPDRY0457	394	SPDRY0304	172
DET265-350	SPDRY0412	258	SPDRY0435	89	SPDRY0458	506	SPDRY0305	204
DET440-585	SPDRY0413	262	SPDRY0436	89	SPDRY0459	373	SPDRY0307	244
DET645-715	SPDRY0414	304	SPDRY0437	91	SPDRY0460	541	SPDRY0308	316
DET745-955	SPDRY0415	325	SPDRY0438	95	SPDRY0461	513	SPDRY0308	316
DET1100-1220	SPDRY0416	364	SPDRY0439	98	SPDRY0462	373	SPDRY0308	316
DET1290-1420	SPDRY0417	409	SPDRY0440	73	SPDRY0463	541	SPDRY0308	316
DEQ440-585	SPDRY0418	262	SPDRY0441	73	SPDRY0464	513	SPDRY0307	244
DEQ645-715	SPDRY0419	304	SPDRY0442	113	SPDRY0465	373	SPDRY0308	316
DEQ745-955	SPDRY0420	325	SPDRY0443	113	SPDRY0466	541	SPDRY0308	316
DEQ1100-1220	SPDRY0421	364	SPDRY0444	113	SPDRY0467	513	SPDRY0308	316
DEQ1290-1420	SPDRY0422	409	SPDRY0445	113	SPDRY0468	541	SPDRY0308	316

^a D + E (see picture)

^b C (see picture)

^c A + B + C (see picture)

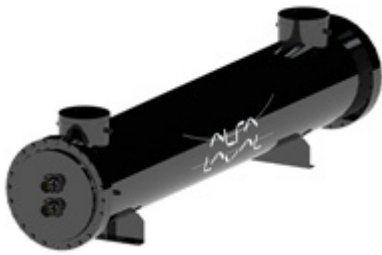
^d G + F (see picture)

The standard kits are available without LOCTITE 5922 glue. If you need loctite with the kit please add a request for code:

SPDRY0470: Price EUR 76

Pure Cooler dry expansion evaporators

Specially new designed for R134a evaporators, these heat exchangers ensure the most accurate performance for high efficiency cooling systems and chillers.



Model	CE Price	GOST Price	Insulation basic* Price	Insulation premium* Price	Welded supports Price	Vic-Flanges Price
PCS226-1-HE	5400	5508	636	972	113	266
PCS227-1-HE	5780	5896	636	972	113	373
PCS227-2-HE	5954	6948	668	1033	113	373
PCS276-2-HE	6545	6676	730	1150	186	400
PCS277-2-HE	6902	7040	730	1150	186	400
PCS326-2-HE	9086	9268	771	1227	186	450
PCS327-2-HE	9587	9779	771	1227	186	450
PCS328-2-HE	9973	10172	771	1227	186	450
PCS416-2-HE	13087	13348	851	1375	265	450
PCS417-2-HE	13879	14156	851	1375	265	525
PCS418-2-HE	14202	14486	851	1375	265	525
PCS419-2-HE	14879	15179	851	1375	265	525
PCD226-1-HE	5414	5522	636	972	113	266
PCD227-1-HE	5625	5738	636	972	113	373
PCD227-2-HE	5792	5908	668	1033	113	373
PCD276-2-HE	6426	6554	730	1150	186	400
PCD277-2-HE	6837	6974	730	1150	186	400
PCD326-2-HE	9007	9187	771	1227	186	450
PCD327-2-HE	9569	9760	771	1227	186	450
PCD328-2-HE	9997	10197	771	1227	186	450
PCD416-2-HE	12976	13235	851	1375	265	450
PCD417-2-HE	13632	13904	851	1375	265	525
PCD418-2-HE	14457	14746	851	1375	265	525
PCD419-2-HE	14793	15089	851	1375	265	525
PCD416-3-HE	13787	14063	950	1560	265	525
PCD417-3-HE	14838	15135	950	1560	265	525
PCD418-3-HE	15393	15701	950	1560	265	525
PCD419-3-HE	15855	16172	950	1560	265	525
PCD516-2-HE	17780	18136	960	1579	645	525
PCD517-2-HE	18719	19093	960	1579	645	525
PCD518-2-HE	20259	20664	960	1579	645	600
PCD519-2-HE	20698	21112	960	1579	645	600
PCD516-3-HE	17867	18224	1079	1801	645	600
PCD517-3-HE	20456	20865	1079	1801	645	600
PCD518-3-HE	23299	23765	1079	1801	645	600
PCD519-3-HE	23803	24279	1079	1801	645	600
PCD616-3-HE	41785	42621	1220	2036	877	600
PCD617-3-HE	42830	43687	1220	2036	877	600
PCD618-3-HE	43902	44780	1220	2036	877	708
PCD619-3-HE	44997	45897	1220	2036	877	708
PCD6110-3-HE	46125	47048	1220	2036	877	708

* Two insulation versions are available for this evaporator's series:

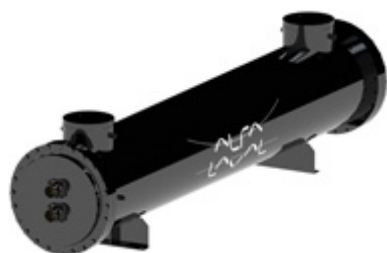
Basic: 10 mm close cell elastomer layer (black) glued to the evaporator surface

Premium: 10 mm close cell elastomer layer (black) glued to the evaporator surface, plus 0.8 mm embossed aluminum external protection

Baffle version	Price multiplier
H = Tube bundle with reduced baffles distance	1.02

Pure Cooler dry expansion evaporators

Specially new designed for R134a evaporators, these heat exchangers ensure the most accurate performance for high efficiency cooling systems and chillers.



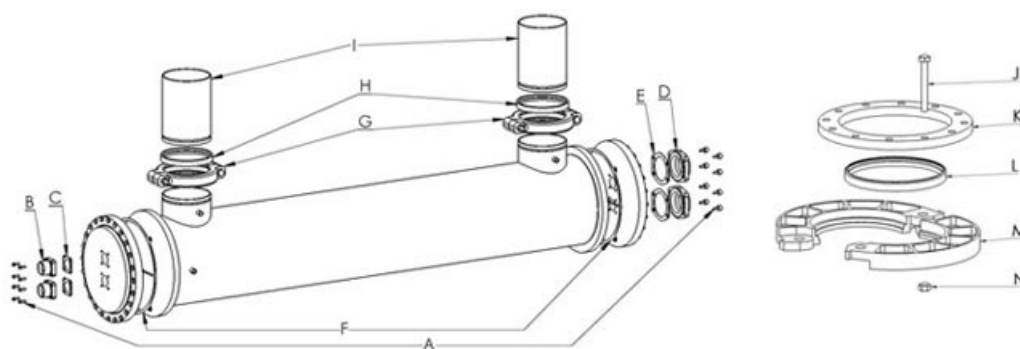
Model	CE Price	GOST Price	Insulation basic* Price	Insulation premium* Price	Welded supports Price	Vic-Flanges Price
PCT226-1-HE	5717	5831	636	972	113	373
PCT226-2-HE	6140	6263	668	1033	113	373
PCT276-2-HE	6811	6948	730	1150	186	400
PCT277-2-HE	7013	7153	730	1150	186	400
PCT326-2-HE	9830	10027	771	1227	186	450
PCT327-2-HE	10184	10387	771	1227	186	450
PCT416-2-HE	13119	13381	851	1375	265	450
PCT417-2-HE	13802	14078	851	1375	265	525
PCT418-2-HE	14444	14733	851	1375	265	525
PCT419-2-HE	15203	15507	851	1375	265	525
PCT416-3-HE	15232	15537	950	1560	265	525
PCT417-3-HE	15445	15753	950	1560	265	525
PCT418-3-HE	15805	16121	950	1560	265	525
PCT419-3-HE	17051	17392	950	1560	265	525
PCT516-2-HE	18327	18693	960	1579	645	525
PCT517-2-HE	19200	19584	960	1579	645	525
PCT518-2-HE	20766	21181	960	1579	645	600
PCT519-2-HE	21389	21816	960	1579	645	600
PCT516-3-HE	19815	20211	1079	1801	645	600
PCT517-3-HE	20955	21374	1079	1801	645	600
PCT518-3-HE	21898	22336	1079	1801	645	600
PCT519-3-HE	23321	23788	1079	1801	645	600
PCT616-3-HE	42278	43124	1220	2036	877	600
PCT617-3-HE	43336	44203	1220	2036	877	600
PCT618-3-HE	44421	45309	1220	2036	877	708
PCT619-3-HE	45529	46439	1220	2036	877	708
PCT6110-3-HE	46670	47603	1220	2036	877	708
PCQ416-2-HE	14769	15065	851	1375	265	450
PCQ417-2-HE	15225	15530	851	1375	265	525
PCQ418-2-HE	15696	16010	851	1375	265	525
PCQ419-2-HE	16182	16506	851	1375	265	525
PCQ416-3-HE	15676	15990	950	1560	265	525
PCQ417-3-HE	16289	16615	950	1560	265	525
PCQ418-3-HE	16793	17129	950	1560	265	525
PCQ419-3-HE	17469	17818	950	1560	265	525
PCQ516-2-HE	20526	20937	960	1579	645	525
PCQ517-2-HE	21504	21934	960	1579	645	525
PCQ518-2-HE	23257	23723	960	1579	645	600
PCQ519-2-HE	23955	24434	960	1579	645	600
PCQ516-3-HE	20315	20722	1079	1801	645	600
PCQ517-3-HE	23469	23939	1079	1801	645	600
PCQ518-3-HE	24526	25016	1079	1801	645	600
PCQ519-3-HE	26120	26642	1079	1801	645	600
PCQ616-3-HE	42777	43633	1220	2036	877	600
PCQ617-3-HE	43835	44712	1220	2036	877	600
PCQ618-3-HE	44920	45818	1220	2036	877	708
PCQ619-3-HE	46028	46948	1220	2036	877	708
PCQ6110-3-HE	47169	48112	1220	2036	877	708

* Two insulation versions are available for this evaporator's series:

Basic: 10 mm close cell elastomer layer (black) glued to the evaporator surface

Premium: 10 mm close cell elastomer layer (black) glued to the evaporator surface, plus 0.8 mm embossed aluminum external protection

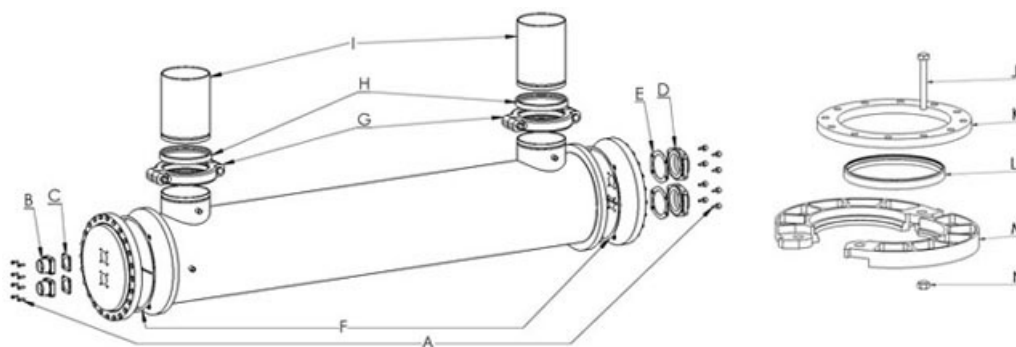
Baffle version	Price multiplier
H = Tube bundle with reduced baffles distance	1.02



Spare parts for Pure Cooler Shell-and-tube evaporators

Model	Refrigerant connections kit ¹		Header gaskets ²		Kit water connections Victaulic ³		Kit water connections Vic-Flange ⁴	
	Article no.	Price	Article no.	Price	Article no.	Price	Article no.	Price
PCS226-1-HE	SPPC0032	210	SPPC0048	135	SPPC001	111	SPPC008	435
PCS227-1-HE	SPPC0032	210	SPPC0048	135	SPPC002	122	SPPC009	625
PCS227-2-HE	SPPC0032	210	SPPC0048	135	SPPC002	122	SPPC009	625
PCS276-2-HE	SPPC0033	248	SPPC0051	168	SPPC003	152	SPPC010	640
PCS277-2-HE	SPPC0033	248	SPPC0051	168	SPPC003	152	SPPC010	640
PCS326-2-HE	SPPC0034	231	SPPC0054	175	SPPC004	173	SPPC011	700
PCS327-2-HE	SPPC0034	231	SPPC0054	175	SPPC004	173	SPPC011	700
PCS328-2-HE	SPPC0035	353	SPPC0054	175	SPPC004	173	SPPC011	700
PCS416-2-HE	SPPC0036	375	SPPC0057	215	SPPC004	173	SPPC011	700
PCS417-2-HE	SPPC0036	375	SPPC0057	215	SPPC005	257	SPPC012	921
PCS418-2-HE	SPPC0036	375	SPPC0057	215	SPPC005	257	SPPC012	921
PCS419-2-HE	SPPC0036	375	SPPC0057	215	SPPC005	257	SPPC012	921
PCD226-1-HE	SPPC0015	308	SPPC0049	135	SPPC001	111	SPPC008	435
PCD227-1-HE	SPPC0015	308	SPPC0049	135	SPPC002	122	SPPC009	625
PCD227-2-HE	SPPC0016	464	SPPC0049	135	SPPC002	122	SPPC009	625
PCD276-2-HE	SPPC0017	330	SPPC0052	168	SPPC003	152	SPPC010	640
PCD277-2-HE	SPPC0017	330	SPPC0052	168	SPPC003	152	SPPC010	640
PCD326-2-HE	SPPC0018	370	SPPC0055	175	SPPC004	173	SPPC011	700
PCD327-2-HE	SPPC0019	365	SPPC0055	175	SPPC004	173	SPPC011	700
PCD328-2-HE	SPPC0019	365	SPPC0055	175	SPPC004	173	SPPC011	700
PCD416-2-HE	SPPC0020	445	SPPC0058	215	SPPC004	173	SPPC011	700
PCD417-2-HE	SPPC0020	445	SPPC0058	215	SPPC005	257	SPPC012	921
PCD418-2-HE	SPPC0020	445	SPPC0058	215	SPPC005	257	SPPC012	921
PCD419-2-HE	SPPC0020	445	SPPC0058	215	SPPC005	257	SPPC012	921
PCD416-3-HE	SPPC0020	445	SPPC0058	215	SPPC005	257	SPPC012	921
PCD417-3-HE	SPPC0020	445	SPPC0058	215	SPPC005	257	SPPC012	921
PCD418-3-HE	SPPC0020	445	SPPC0058	215	SPPC005	257	SPPC012	921
PCD419-3-HE	SPPC0020	445	SPPC0058	215	SPPC005	257	SPPC012	921
PCD516-2-HE	SPPC0021	655	SPPC0061	300	SPPC005	257	SPPC012	921
PCD516-3-HE	SPPC0021	655	SPPC0061	300	SPPC006	1070	SPPC013	1448
PCD517-2-HE	SPPC0021	655	SPPC0061	300	SPPC005	257	SPPC012	921
PCD518-2-HE	SPPC0021	655	SPPC0061	300	SPPC006	1070	SPPC013	1448
PCD519-2-HE	SPPC0021	655	SPPC0061	300	SPPC006	1070	SPPC013	1448
PCD517-3-HE	SPPC0022	698	SPPC0061	300	SPPC006	1070	SPPC013	1448
PCD518-3-HE	SPPC0022	698	SPPC0061	300	SPPC006	1070	SPPC013	1448
PCD519-3-HE	SPPC0022	698	SPPC0061	300	SPPC006	1070	SPPC013	1448
PCD616-3-HE	SPPC0023	672	SPPC0064	500	SPPC006	1070	SPPC013	1448
PCD617-3-HE	SPPC0023	672	SPPC0064	500	SPPC006	1070	SPPC013	1448
PCD618-3-HE	SPPC0023	672	SPPC0064	500	SPPC007	1155	SPPC014	2170
PCD619-3-HE	SPPC0023	672	SPPC0064	500	SPPC007	1155	SPPC014	2170
PCD6110-3-HE	SPPC0023	672	SPPC0064	500	SPPC007	1155	SPPC014	2170

1. A + B + C + D + E (see picture)
2. F (see picture)
3. G + H + I (see picture)
4. J + K + L + M + N (see picture)



Spare parts for Pure Cooler Shell-and-tube evaporators

Model	Refrigerant connections kit 1		Header gaskets 2		Kit water connections Victaulic 3		Kit water connections Vic-Flange 4	
	Article no.	Price	Article no.	Price	Article no.	Price	Article no.	Price
PCT226-1-HE	SPPC0037	437	SPPC0050	135	SPPC002	122	SPPC009	625
PCT226-2-HE	SPPC0037	437	SPPC0050	135	SPPC002	122	SPPC009	625
PCT276-2-HE	SPPC0038	471	SPPC0053	168	SPPC003	152	SPPC010	640
PCT277-2-HE	SPPC0038	471	SPPC0053	168	SPPC003	152	SPPC010	640
PCT326-2-HE	SPPC0039	534	SPPC0056	175	SPPC004	173	SPPC011	700
PCT327-2-HE	SPPC0039	534	SPPC0056	175	SPPC004	173	SPPC011	700
PCT416-2-HE	SPPC0040	529	SPPC0059	215	SPPC004	173	SPPC011	700
PCT417-2-HE	SPPC0041	522	SPPC0059	215	SPPC005	257	SPPC012	921
PCT418-2-HE	SPPC0041	522	SPPC0059	215	SPPC005	257	SPPC012	921
PCT419-2-HE	SPPC0041	522	SPPC0059	215	SPPC005	257	SPPC012	921
PCT416-3-HE	SPPC0040	529	SPPC0059	215	SPPC005	257	SPPC012	921
PCT417-3-HE	SPPC0042	558	SPPC0059	215	SPPC005	257	SPPC012	921
PCT418-3-HE	SPPC0042	558	SPPC0059	215	SPPC005	257	SPPC012	921
PCT419-3-HE	SPPC0042	558	SPPC0059	215	SPPC005	257	SPPC012	921
PCT516-2-HE	SPPC0043	643	SPPC0062	300	SPPC005	257	SPPC012	921
PCT517-2-HE	SPPC0043	643	SPPC0062	300	SPPC005	257	SPPC012	921
PCT518-2-HE	SPPC0043	643	SPPC0062	300	SPPC006	1070	SPPC013	1448
PCT519-2-HE	SPPC0044	626	SPPC0062	300	SPPC006	1070	SPPC013	1448
PCT516-3-HE	SPPC0043	643	SPPC0062	300	SPPC006	1070	SPPC013	1448
PCT517-3-HE	SPPC0044	626	SPPC0062	300	SPPC006	1070	SPPC013	1448
PCT518-3-HE	SPPC0045	594	SPPC0062	300	SPPC006	1070	SPPC013	1448
PCT519-3-HE	SPPC0045	594	SPPC0062	300	SPPC006	1070	SPPC013	1448
PCT616-3-HE	SPPC0046	958	SPPC0065	500	SPPC006	1070	SPPC013	1448
PCT617-3-HE	SPPC0046	958	SPPC0065	500	SPPC006	1070	SPPC013	1448
PCT618-3-HE	SPPC0046	958	SPPC0065	500	SPPC007	1155	SPPC014	2170
PCT619-3-HE	SPPC0046	958	SPPC0065	500	SPPC007	1155	SPPC014	2170
PCT6110-3-HE	SPPC0047	1021	SPPC0065	500	SPPC007	1155	SPPC014	2170
PCQ416-2-HE	SPPC0024	611	SPPC0060	215	SPPC004	173	SPPC011	700
PCQ417-2-HE	SPPC0025	695	SPPC0060	215	SPPC005	257	SPPC012	921
PCQ418-2-HE	SPPC0025	695	SPPC0060	215	SPPC005	257	SPPC012	921
PCQ419-2-HE	SPPC0026	689	SPPC0060	215	SPPC005	257	SPPC012	921
PCQ416-3-HE	SPPC0024	611	SPPC0060	215	SPPC005	257	SPPC012	921
PCQ417-3-HE	SPPC0026	689	SPPC0060	215	SPPC005	257	SPPC012	921
PCQ418-3-HE	SPPC0026	689	SPPC0060	215	SPPC005	257	SPPC012	921
PCQ419-3-HE	SPPC0026	689	SPPC0060	215	SPPC005	257	SPPC012	921
PCQ516-2-HE	SPPC0027	728	SPPC0063	300	SPPC005	257	SPPC012	921
PCQ517-2-HE	SPPC0027	728	SPPC0063	300	SPPC005	257	SPPC012	921
PCQ518-2-HE	SPPC0028	840	SPPC0063	300	SPPC006	1070	SPPC013	1448
PCQ519-2-HE	SPPC0028	840	SPPC0063	300	SPPC006	1070	SPPC013	1448
PCQ516-3-HE	SPPC0027	728	SPPC0063	300	SPPC006	1070	SPPC013	1448
PCQ517-3-HE	SPPC0028	840	SPPC0063	300	SPPC006	1070	SPPC013	1448
PCQ518-3-HE	SPPC0028	840	SPPC0063	300	SPPC006	1070	SPPC013	1448
PCQ519-3-HE	SPPC0028	840	SPPC0063	300	SPPC006	1070	SPPC013	1448
PCQ616-3-HE	SPPC0029	840	SPPC0066	500	SPPC006	1070	SPPC013	1448
PCQ617-3-HE	SPPC0029	840	SPPC0066	500	SPPC006	1070	SPPC013	1448
PCQ618-3-HE	SPPC0030	840	SPPC0066	500	SPPC007	1155	SPPC014	2170
PCQ619-3-HE	SPPC0031	1261	SPPC0066	500	SPPC007	1155	SPPC014	2170
PCQ6110-3-HE	SPPC0031	1261	SPPC0066	500	SPPC007	1155	SPPC014	2170

1. A + B + C + D + E (see picture)

2. F (see picture)

3. G + H + I (see picture)

4. J + K + L + M + N (see picture)



FEV-HP Shell-and-tube flooded evaporators

Flooded evaporators for air conditioning and process cooling applications where the primary driving force is energy efficiency improvement, especially at part load conditions. The FEV HP evaporator series have been designed for use with HFC 134a and HFO1234ze but it can also be utilized for other HFCs as well as natural refrigerants such as propane. The latest high performance boiling tubes ensure that the FEV series have the highest performance available in the market.

Model for oil free centrifugal compressors	CE unit Price	Capacity* (kW)	Capacity** (kW)	Shell diameter (mm)	Total length (mm)	Water passes	Water connection pipe
FEV-HP 1605	13912	276	174	406	2120	4	4"
FEV-HP 1610	17937	574	385	406	3590	2	5"
FEV-HP 1805	15379	314	193	457	2120	4	4"
FEV-HP 1810	19085	656	437	457	3590	2	5"
FEV-HP 2005	16421	387	246	508	2120	4	4"
FEV-HP 2010/1	24901	820	540	508	3590	2	6"
FEV-HP 2010/2	27521	1211	815	508	3590	2	6"
FEV-HP 2205	22398	600	402	559	2120	4	5"
FEV-HP 2210	30756	1152	772	559	3590	2	6"
FEV-HP 2410	35278	1476	995	610	3640	2	8"
FEV-HP 2610	39276	1542	1022	660	3640	2	8"
FEV-HP 2810	55615	1971	1314	711	3710	2	8"

* Nominal cooling capacity at the following conditions: refrigerant R134a, secondary fluid water, evaporation temperature 4.5°C, Tcond 50°C, water temperatures 12/6°C, oil free compressors.

** Nominal cooling capacity at the following conditions: refrigerant R134a, secondary fluid water, evaporation temperature 6°C, Tcond 50°C, water temperatures 12/7°C, oil free compressors.

Model for screw compressor with oil ***	CE unit Price	Capacity* (kW)	Capacity** (kW)	Shell diameter (mm)	Total length (mm)	Water passes	Water connection pipe
FEV-HP 1606	15652	276	174	406	2425	4	4"
FEV-HP 1612	20179	574	385	406	4200	2	5"
FEV-HP 1806	17301	314	193	457	2425	4	4"
FEV-HP 1812	21470	656	437	457	4200	2	5"
FEV-HP 2006	18474	387	246	508	2425	4	4"
FEV-HP 2012/1	28013	820	540	508	4200	2	6"
FEV-HP 2012/2	30961	1211	815	508	4200	2	6"
FEV-HP 2206	25197	600	402	559	2425	4	5"
FEV-HP 2212	34600	1152	772	559	4200	2	6"
FEV-HP 2412	39688	1476	995	610	4250	2	8"
FEV-HP 2612	44186	1542	1022	660	4250	2	8"
FEV-HP 2812	62567	1971	1314	711	4320	2	8"

* Nominal cooling capacity at the following conditions: refrigerant R134a, secondary fluid water, evaporation temperature 4.5°C, Tcond 50°C, water temperatures 12/6°C, screw compressors.

** Nominal cooling capacity at the following conditions: refrigerant R134a, secondary fluid water, evaporation temperature 6°C, Tcond 50°C, water temperatures 12/7°C, screw compressors.

*** Models for use with screw compressors include ports for return oil.

Standard price includes:

- Welded supports for one compressor
- One refrigerant inlet
- One refrigerant outlet
- Bottom welded feet
- One sight glass
- Flexible joint (Vitaulic) water-side connections including clamp and counter-pipe

Each additional refrigerant inlet: 100 EUR

Each additional refrigerant outlet: 200 EUR

Mounting supports for each one additional compressor: 400 EUR

Thermal insulation available on demand.

CDEW Shell-and-tube water cooled condensers

Special water gasket configuration to resist to high water pressure. A standard range of shell and tube condensers includes 17 models optimized for R407C with a capacity range from 60 to 1680 kW. The square tube sheet can be used as support for the condenser. The CDEW-E version has been optimized for R134a high performance applications.



Model	Europe CE Price	Europe CE 45 bar version Price	RUSSIA GOST CHINA SQL Price	USA ASME ¹ Price	ABS Price	DNV Price	Support accessories	
							Welded supports (couple) Price	Brackets* (single) ² Price
CDEW serie								
CDEW 60	1655	1874	1688	2088	2033	OR	79	99
CDEW 80	1774	2009	1809	2216	2179	OR	79	99
CDEW 100	1960	2223	1999	2418	2407	OR	79	99
CDEW 120	2081	2357	2122	2548	2555	OR	79	99
CDEW 135	2223	2444	2267	2700	2730	OR	79	99
CDEW 165	2806	3087	2862	4173 ¹	4405	OR	89 113 ¹	100 102
CDEW 190	2903	3180	2961	4307 ¹	4555	OR	89 113 ¹	100 102
CDEW 215	3047	3352	3108	4505 ¹	4782	OR	89 113 ¹	100 102
CDEW 240	3234	3559	3299	4766 ¹	5079	OR	89 113 ¹	100 102
CDEW 260	4542	5448	4633	5205	5579	5224	186	124
CDEW 300	5126	6010	5229	5835	6296	5895	186	124
CDEW 360	5520	6522	5630	6260	6780	6348	186	124
CDEW 400	5768	6922	5883	6530	7084	6633	186	124
CDEW 450	5982	7178	6102	6760	7348	6880	186	124
CDEW 470	7561	9074	7712	8463	9288	8695	226	142
CDEW 520	7889	9466	8047	8819	9690	9072	226	142
CDEW 550	8327	9992	8493	9293	10230	9575	226	142
CDEW 610	11527	13832	11757	12747	OR	13256	265	177
CDEW 680	11982	14376	12222	13240	OR	13779	265	177
CDEW 760	12589	15108	12840	13897	OR	14477	265	177
CDEW 840	13196	15833	13460	14551	OR	15176	265	177
CDEW 900	16779	OR	17114	OR	OR	19296	538	NA
CDEW 940	17205	OR	17549	OR	OR	19786	538	NA
CDEW 1040	17963	OR	18322	OR	OR	20658	538	NA
CDEW 1100	19949	OR	20348	OR	OR	22941	645	NA
CDEW 1220	20564	OR	20975	OR	OR	23649	645	NA
CDEW 1360	21397	OR	21825	OR	OR	24607	645	NA
CDEW 1520	30290	OR	30896	OR	OR	34834	686	NA
CDEW 1680	33250	OR	33915	OR	OR	38238	686	NA
CDEW-E serie								
CDEW-E 155	3844	OR	3921	OR	4584	OR	89	100
CDEW-E 170	3973	OR	4052	OR	4739	OR	89	100
CDEW-E 185	4180	OR	4263	OR	4984	OR	89	100
CDEW-E 215	5465	OR	5574	OR	6517	6285	186	124
CDEW-E 260	6357	OR	6484	OR	7580	7311	186	124
CDEW-E 315	6742	OR	6877	OR	8040	7754	186	124
CDEW-E 350	6968	OR	7107	OR	8310	8013	186	124
CDEW-E 370	7082	OR	7224	OR	8446	8145	186	124
CDEW-E 395	9107	OR	9289	OR	10964	10473	226	142
CDEW-E 440	9322	OR	9508	OR	11224	10720	226	142
CDEW-E 480	9678	OR	9871	OR	11652	11130	226	142
CDEW-E 520	13670	OR	13944	OR	OR	15721	265	177
CDEW-E 570	14086	OR	14368	OR	OR	16199	265	177
CDEW-E 640	14691	OR	14985	OR	OR	16895	265	177
CDEW-E 705	15383	OR	15691	OR	OR	17691	265	177

¹ Shell diameter 219 mm, version not standard in case of ASME.

² Brackets support are only available loose.

Available on request: LR, GL and RINA approval.

ASME, DNV, LR, RINA, GL, RMRS approvals are subjected to inspection cost according to the below list.

Please note that each cost inspection is valid for max. three units and not for the entire order anymore.

For big batches please contact the Alfa Laval shell-and-tube business support center for specific quotations.

Example:

Two condensers with DNV approval, inspection cost = 1500 EUR.

Five condensers with DNV approval, please contact Alfa Laval shell-and-tube business support center.

- ASME 1200 EUR* per order (max. three units)
- GL 1000 EUR* per order (max. three units)
- ABS, DNV 1500 EUR* per order (max. three units) (Hull number, shipyard and destination always have to be specified)
- LR 1200 EUR* per order (max. three units) (Hull number, shipyard and destination always have to be specified)
- RINA, RMRS 1500 EUR* per order max. three units

* These prices are fixed and cannot be discounted.

Shell-and-tube water cooled condensers – Accessories

A wide range of accessories is available for CDEW water cooled condensers.



Sight glass available for water cooled condenser	Price
Sight glass 1 - Glass diameter D = 35 mm ¹ (sight glass is available only for CE approval ²)	240
Sight glass 2 - Glass diameter D = 30 mm ² (sight glass is available only for CE approval ²)	161

¹ Starting from shell diameter 219 mm

² For different approvals please contact our technical department.

Std version multipliers for different application/construction	Price multiplier
Construction H.R. (desuperheater)	x 1.10
Desuperheater and condenser with indep. water circuit HRC	x 1.15
Condenser models with CE approval for water side work pressure of 16 bar (CDEW, CDEW-E, CXP, CXPM, McDEW)	x 1.10
Condenser models with water side in AISI 316L stainless steel (covers, tube sheets, exchange tubes)	x 2.2
Condenser models with water side in AISI 316L stainless steel (tube sheets, exchange tubes)	x 2
Condenser models all in AISI 316L stainless steel	x 2.8
Condenser models all in carbon steel (exchange tubes not in stock, it needs a minimum lot)	x 1.2

Std version multipliers for twin condenser, 2 ref. circuit and 1 water circuit	Price multiplier
2 passes water side	x 2.0
1 pass water side	x 2.1

Adapters from threaded to flexible joint connection	Price
Kits including adapters in carbon steel for one condenser described in the shell-and-tube condenser brochure)	
Adapter T1-J1	192
Adapter T11-J11	201
Adapter T2-J2	220
Adapter T21-J21	241
Adapter T3-J3	250
Adapter T4-J4	330
Adapter T5-J5	372
In case of a stainless steel adapter, consider a price multiplier of a CS adapter. x 3.0	

Special execution for condenser CDEW Refrigerant connections options (see catalogue)			
Name	ODS mm	Type	Price
Rotalock connections with different ODS			
RB22	22	B	39
RB28	28	C	53
RB35	35	C	53
Refrigerant connection with different soldering ODS			
WA42	42	A	16
WA54	54	A	24
WA67	67	A	31
WA80	80	A	37
Refrigerant connection inlet with flange and counter flange with 90 curve			
FA35	35	A	104
FA42	42	A	115
FB54	54	B	146
FC67	67	C	253
FC80	80	C	289

McDEW Shell-and-tube water cooled condensers

A new series of marine condensers designed to ensure perfect performance and reliability for all sea-water applications. The range includes 25 models of condensers from 15 to 770 kW, available in tower or city configuration. Special water gaskets are used to resist to high water pressure. The square tube sheet can be used as a support for the condenser.



Model	Europe CE Price	RUSSIA GOST CHINA SQL Price	USA ASME ¹ Price	ABS Price	DNV Price	Support accessories	
						Welded supports (couple) Price	Brackets (single) ² Price
McDEW 15	2620	2673	3128	3217	OR	79	99
McDEW 25	2780	2836	3003	3414	OR	79	99
McDEW 34	2988	3048	3527	3670	OR	79	99
McDEW 48	3328	3410	3841	4105	OR	79	99
McDEW 50	3343	3394	3895	4088	OR	79	99
McDEW 67	3552	3624	4061	4362	OR	79	99
McDEW 90	3952	4031	4484	4854	OR	79	99
McDEW 105	4159	4242	4793	5108	OR	79	99
McDEW 123	4481	4570	5140	5504	OR	79	99
McDEW 153	5643	5756	7954 ¹	8598	OR	89	100
						113 ¹	102
McDEW 175	5887	6005	8187 ¹	8970	OR	89	100
						113 ¹	102
McDEW 200	6120	6243	8499 ¹	9324	OR	89	100
						113 ¹	102
McDEW 205	6454	6583	9251 ¹	9835	OR	89	100
						113 ¹	102
McDEW 238	8685	8859	9679	10667	9988	186	124
McDEW 275	9532	9722	10597	11708	10961	186	124
McDEW 330	10560	10771	11705	12969	12143	186	124
McDEW 370	11365	11592	12340	13960	13070	186	124
McDEW 410	11788	12024	12792	14480	13557	186	124
McDEW 430	15019	15320	16214	18446	17272	226	142
McDEW 480	16318	16645	17586	20042	18766	226	142
McDEW 505	17186	17529	18507	21108	19763	226	142
McDEW 555	21948	22387	23553	OR	25241	265	177
McDEW 620	24829	25326	26606	OR	28554	265	177
McDEW 700	26594	27125	28477	OR	30583	265	177
McDEW 770	27394	27942	29320	OR	31503	265	177
McDEW 900	33475	34145	OR	OR	38496	854	NA
McDEW 940	34276	34962	OR	OR	39418	854	NA
McDEW 1040	37620	38372	OR	OR	43263	854	NA
McDEW 1100	44689	45915	OR	OR	51767	955	NA
McDEW 1220	45015	45582	OR	OR	51392	955	NA
McDEW 1360	46935	47874	OR	OR	53975	955	NA
McDEW 1520	56700	57834	OR	OR	65206	1026	NA
McDEW 1680	64546	65837	OR	OR	74228	1026	NA

¹ Shell diameter 219 mm, version not standard in case of ASME.

² Brackets support are only available loose.

Available on request: LR, GL and RINA approval.

ASME, DNV, LR, RINA, GL, RMRS approvals are subjected to inspection cost according to the below list.

Please note that each cost inspection is valid for max. three units and not for the entire order anymore.

For big batches please contact the Alfa Laval shell-and-tube business support center for specific quotations.

Example:

Two condensers with DNV approval, inspection cost = 1500 EUR.

Five condensers with DNV approval, please contact Alfa Laval shell-and-tube business support center.

- ASME 1200 EUR* per order (max. three units)

- GL 1000 EUR* per order (max. three units)

- ABS, DNV 1500 EUR* per order (max. three units) (Hull number, shipyard and destination always have to be specified)

- LR 1200 EUR* per order (max. three units) (Hull number, shipyard and destination always have to be specified)

- RINA, RMRS 1500 EUR* per order (max. three units)

* These prices are fixed and cannot be discounted.

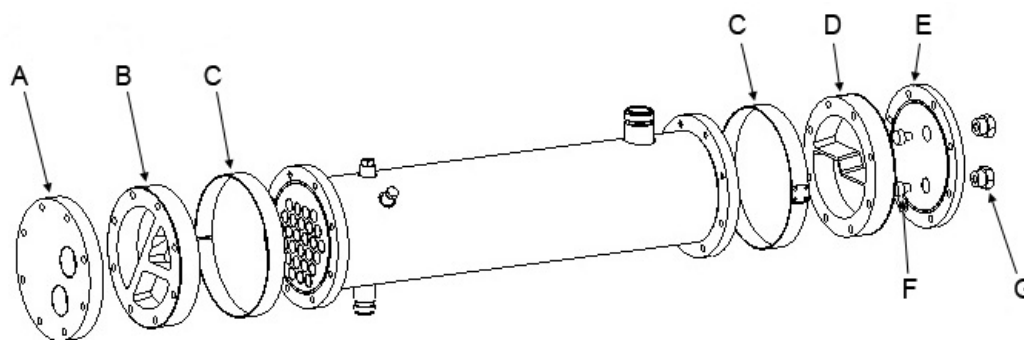
CXP Shell-and-tube water cooled condensers

A new serie of condensers designed for fresh and sea water.
The range includes 15 models of condensers from 15 to 180 kW.



Model	Europe CE Price	Support accessories	
		Welded (couple) Price	Brackets* (single) Price
CXP serie			
CXP 111-XXS-4P	730	79	NA
CXP 112-XXS-4P	910	79	NA
CXP 113-XXS-4P	1135	79	NA
CXP 111-XS-2P	1170	79	NA
CXP 112-XS-2P	1243	79	NA
CXP 113-XS-2P	1315	79	NA
CXP 142-XS-2P	1520	79	98
CXP 143-XS-2P	1589	79	98
CXP 144-XS-2P	1659	79	98
CXP 142-S-2P	1787	79	98
CXP 143-S-2P	1903	79	98
CXP 144-S-2P	2012	79	98
CXP 161-S-2P	2358	79	99
CXP 162-S-2P	2423	79	99
CXP 163-S-2P	2520	79	99
CXP 161-M-1P	2617	79	99
CXP 162-M-1P	2710	79	99
CXP 163-M-1P	2799	79	99
CXPM serie			
CXPM 111-XS-2P	1915	79	NA
CXPM 112-XS-2P	2035	79	NA
CXPM 113-XS-2P	2153	79	NA
CXPM 142-XS-2P	2488	79	98
CXPM 143-XS-2P	2602	79	98
CXPM 144-XS-2P	2716	79	98
CXPM 142-S-2P	2925	79	98
CXPM 143-S-2P	3115	79	98
CXPM 144-S-2P	3292	79	98
CXPM 161-S-2P	3859	79	99
CXPM 162-S-2P	3965	79	99
CXPM 163-S-2P	4125	79	99
CXPM 161-M-1P	4284	79	99
CXPM 162-M-1P	4435	79	99
CXPM 163-M-1P	4580	79	99

* Brackets support are only available loose

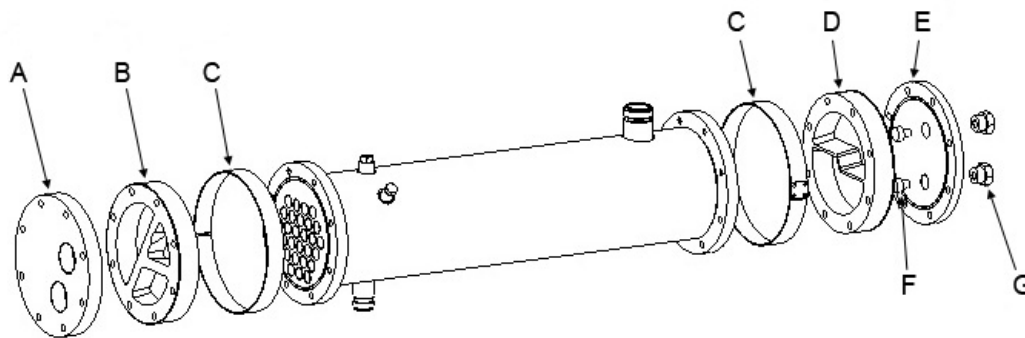


Spare parts for CPlus, CDEW & CXP Shell-and-tube condensers

Article no.	Shell-and-tube model	Price
Kit gasket water connections¹		
SPCP0001	CPS35-80 Tower, McDEW 15-48 Tower	146
SPCP0002	CPS35-80 City, McDEW 15-48 City	159
SPCP0003	CPS70, 100-160 Tower; CDEW 60-135 Tower, McDEW 50-123 Tower	146
SPCP0004	CPS70, 100-160 City; CDEW 60-135 City, McDEW 50-123 City	146
SPCP0005	CPS180-260 Tower; CDEW 165-240 Tower, McDEW 153-205 Tower	171
SPCP0006	CPS180-260 City; CDEW 165-240 City, McDEW 153-205 City	175
SPCP0007	CPS285-520 Tower; CDEW 260-450 Tower, McDEW 238-410 Tower	237
SPCP0008	CPS285-520 City; CDEW 260-450 City, McDEW 238-410 City	693
SPCP0025	CDEW 470-550 Tower, McDEW 430-505 Tower	332
SPCP0026	CDEW 470-550 City, McDEW 430-505 City	704
SPCP0027	CDEW 610-840 Tower, McDEW 555-770 Tower	1475
SPCP0028	CDEW 610-840 City, McDEW 555-770 City	1475
SPCP0013	CFC8-CFC20; CFC/M8-CFC/M20 City	71
SPCP0030	CFC25-CFC40; CFC/M25-CFC/M40 City	76
SPCP0015	CFC50, CFC60; CFC/M50 City, CFC/M60 City	82
SPCP0016	CFC/M8-CFC/M20 Tower	71
SPCP0017	CFC/M25-CFC/M40 Tower	76
SPCP0018	CFC/M50 Tower, CFC/M60 Tower	82
SPCP001	CXP-CXPM 111.112.113 XXS-XS	95
SPCXP002	CXP-CXPM 142.143.144 XS-S	102
SPCXP003	CXP-CXPM 161.162.163 S	107
SPCXP004	CXP-CXPM 161.162.163 M	107
Kit water connections²		
SPCP0100	CPS35-80 Tower	328
SPCP0101	CPS35-80 City	320
SPCP0104	CPS70, 100-160 Tower; CDEW 60-135 Tower	328
SPCP0105	CPS70, 100-160 City; CDEW 60-135 City	328
SPCP0108	CPS180-260 Tower; CDEW 165-240 Tower	475
SPCP0109	CPS180-260 City; CDEW 165-240 City	470
SPCP0112	CPS285-520 Tower; CDEW 260-450 Tower	744
SPCP0113	CPS285-520 City; CDEW 260-450 City	1280
SPCP0130	McDEW 15-48 Tower	985
SPCP0131	McDEW 15-48 City	985
SPCP0132	McDEW 50-123 Tower	1205
SPCP0133	McDEW 50-123 City	1205
SPCP0134	McDEW 153-205 Tower	1698
SPCP0135	McDEW 153-205 City	1698
SPCP0136	McDEW 238-410 Tower	3243
SPCP0137	McDEW 238-410 City	3243
SPCXP005	CXP 111.112.113 XXS	230
SPCXP006	CXP 111.112.113 XS	230
SPCXP007	CXP 142.143.144 XS-S	311
SPCXP008	CXP 161.162.163 S	421
SPCXP009	CXP 161.162.163 M	395
SPCXP010	CXPM 111.112.113 XS	468
SPCXP011	CXPM 142.143.144 XS-S	572
SPCXP012	CXPM 161.162.163 S	912
SPCXP013	CXPM 161.162.163 M	1080

¹ B + C + D (see figure)

² A + B + C + D + E (see figure)



Spare parts for CPlus, CDEW & CXP Shell-and-tube condensers

Spare parts anodes for marine condensers ³									
Article no.	CXPM Model	McDEW Model	CFC/M Model	CFL/M Model	ACFC/M Model	ACFL/M Model	CRS/M Model	Qty per condenser	Price
SPCP0160	111 XS - 144 S		8-20					2	19
SPCP0161	161 S - 163 S	15-123	25-40	42-50			3-12	2	21
SPCP0162		153-205	50-60	56-165			15-25	2	22
SPCP0163					150	180		1	38
SPCP0164		238-505			240	300		2	40
SPCP0165		555-770				750		2	58
SPCP0166		900-1680						1	307


³ F (see figure)

Spare parts anodes for marine condensers ⁴									
Article no.	CXPM Model	McDEW Model	CFC/M Model	CFL/M Model	ACFC/M Model	ACFL/M Model	CRS/M Model	Qty per condenser	Price
SPCP0170	111 XS - 144 S		8-20					2	58
SPCP0171	161 S - 163 S	15-123	25-40	42-50			3-12	2	61
SPCP0172		153-205	50-60	56-165			15-25	2	64
SPCP0173					150	180		1	79
SPCP0174		238-505			240	300		2	95
SPCP0175		555-770				750		2	156
SPCP0176		900-1680						1	414


⁴ G (see figure)

Supports for shell-and-tube condensers			
Article no.	Model	Shell diameter (mm)	Brackets (couple) Price
10099200C	CXP-CXPM 142.143.144 XS-S	D = 140	196
10099201C	CXP-CXPM 161.162.163 S-M	D = 168	198
10099201C	CDEW 60 - 135	D = 168	198
10099201C	McDEW 15-123	D = 168	198
10099202C	CDEW 165- 240	D = 194	200
10099202C	CDEW-E 155-185	D = 194	200
10099202C	McDEW 153-205	D = 194	200
10099204C	CDEW 260-450	D = 273	248
10099204C	CDEW-E 215-370	D = 273	248
10099204C	McDEW 238-410	D = 273	248
10099205C	CDEW 470-550	D = 324	284
10099205C	CDEW-E 395-480	D = 324	284
10099205C	McDEW 430-505	D = 324	284
10099206C	CDEW 610-840	D = 406	354
10099206C	CDEW-E 520-705	D = 406	354
10099206C	McDEW 555-770	D = 406	354


Shell-and-tube spare parts: single connections
Rotalock connection

	Article no.	Refrigerant connections kit	Description	Price
	SPCP0157	RBL 22	Ring nut, gasket, angle connection	58
	SPCP0158	RCL 28	Ring nut, gasket, angle connection	71
	SPCP0159	RCL 35	Ring nut, gasket, angle connection	68
	SPDRY0471	RA16	Ring nut, gasket	52
	SPDRY0472	RB22	Ring nut, gasket	57
	SPDRY0473	RC28	Ring nut, gasket	64
	SPDRY0474	RC35	Ring nut, gasket	63
	Article no.	Kit gasket	Description	Price
	SPDRY0490	RTLK 1"	Only gasket for type RA	15
	SPDRY0491	RTLK 1"1/4	Only gasket for type RB	15
	SPDRY0492	RTLK 1"3/4	Only gasket for type RC	17

Flange connection

	Article no.	Kit gasket	Description	Price
	SPDRY0493	FA35-42-54	Only gasket 55x55	28
	SPDRY0494	FB54-67	Only gasket 70x70	29
	SPDRY0495	FC80	Only gasket 90x90	28
	SPDRY0496	4"SAE	Only gasket	33
	SPDRY0497	5"SAE	Only gasket	35
	SPDRY0498	60x60	Only gasket 60x60	28
	SPDRY0499	100x100	Only gasket 100x100	30
	Article no.	Refrigerant connections kit	Description	Price
	SPDRY0478	FA35	Connection, screws, gasket	81
	SPDRY0479	FA42	Connection, screws, gasket	81
	SPDRY0480	FA54	Connection, screws, gasket	96
	SPDRY0481	FB54	Connection, screws, gasket	92
	SPDRY0482	FB67	Connection, screws, gasket	96
	SPDRY0483	FC67	Connection, screws, gasket	127
	SPDRY0484	FC80	Connection, screws, gasket	130
	SPDRY0485	FC89	Connection, screws, gasket	133
	SPDRY0486	4"SAE ODS=105	Connection, screws, gasket	180
	SPDRY0487	5"SAE ODS=133	Connection, screws, gasket	266

Kit flexible joint

	Article no.	Kit flexible joint	Description	Price
	SPDRY0510	J21	Only flexible joint	40
	SPDRY0511	J3	Only flexible joint	42
	SPDRY0512	J4	Only flexible joint	49
	SPDRY0513	J5	Only flexible joint	59
	SPDRY0514	J6	Only flexible joint	60
	SPDRY0515	J8	Only flexible joint	103

CFC-CPS-CDEW LF Shell-and-tube water cooled condensers Asia market only



Three series of fresh water shell and tube condensers with capacity from 5 to 1500 kW. All the series are equipped with LF (low fouling) tubes that are suitable for all the type of waters including the ones with high content of fouling. Available only ex-works Alfa Laval factory Satara, India.

Model	Alfa Laval Standard Low fouling tubes Price	Support accessories	
		Welded (couple) Price	Brackets* (single) Price
CFC serie			
CFC 8	636	79	NA
CFC 12	661	79	NA
CFC 15	798	79	NA
CFC 20			
CPS serie-LF			
CPS 35-LF	926	79	98
CPS 45-LF	1025	79	98
CPS 60-LF	1141	79	98
CPS 80-LF	1210	79	98
CPS 100-LF	1397	79	98
CPS 120-LF	1531	79	98
CPS 145-LF	1804	79	98
CPS 160-LF	1853	79	98
CPS 180-LF	2344	89	100
CPS 210-LF	2619	89	100
CPS 235-LF	2603	89	100
CPS 260-LF	2763	89	100
CPS 285-LF	3708	186	124
CPS 335-LF	3924	186	124
CPS 390-LF	4302	186	124
CPS 440-LF	4639	186	124
CPS 520-LF	5315	186	124
CDEW serie-LF			
CDEW 400-LF	5264	186	124
CDEW 450-LF	5659	186	124
CDEW 470-LF	6898	226	142
CDEW 520-LF	7374	226	142
CDEW 550-LF	7599	226	142
CDEW 610-LF	9709	265	177
CDEW 680-LF	9988	265	177
CDEW 760-LF	10606	265	177
CDEW 840-LF	11566	265	177
CDEW 900-LF	13088	538	NA
CDEW 940-LF	13511	538	NA
CDEW 1040-LF	14011	538	NA
CDEW 1100-LF	15560	645	NA
CDEW 1220-LF	16040	645	NA
CDEW 1360-LF	16690	645	NA
CDEW 1520-LF	23626	686	NA
CDEW 1680-LF	25935	686	NA

Condensers can be 2P (tower) or 4P (city) versions. Price is the same both for 2P and 4P versions.

Alfa Laval Air Cooled Condensers

Technical specifications

Product range	Setup			Fan rows	Refrigerant		Capacity range* kW	Noise Level range dB(A)	Selection tools			PD Litcode	Prices in RCPL
	Flat	Vert.	V-Type		H(C)FC	NH3			Alfa Select	Helpman Select	Fincoil Select		
Commercial ranges													
AlfaBlue Junior AG(H)	X	X		1	X		5.2 - 240.70	18 - 54	X			ERC00258	X
Alfa-V Single Row VCM			X	1	X		18 - 550	20 - 64	X			ERC00226	X
Industrial ranges													
AlfaBlue BCM	X	X		1	X		15 - 460	20 - 63	X			ERC00031	X
AlfaBlue BCD	X	X		2	X		88 - 952	25 - 66	X			ERC00031	X
AlfaBlue BNM	X	X		1		X	15- 465	20 - 63	X			ERC00031	
AlfaBlue BND	X	X		2		X	84 - 1035	25 - 65	X			ERC00031	
Alfa-V ACV			X	2	X		104 - 1587	25 - 68	X			ERC00275	
Alfa-V ANV			X	2		X	97 - 1682	25 - 68	X			ERC00275	
AlfaSolar	X	X		1-2	X		39 - 1796	33 - 78	X			ERC00402	X
Fincoil Solar Max			X	1-2	X		170 - 1812	39 - 77			X	ERC00135	X
Fincoil Solar ZA/ZZ	X			1-2		X	66 - 948	37 - 70			X	ERC00136	X

* Nominal capacities according to ENV 327.

AlfaBlue Junior AG(H)



Alfa-V Single Row VCM



AlfaBlue BCM



AlfaBlue BCD



AlfaBlue BNM



AlfaBlue BND



Alfa-V ACV



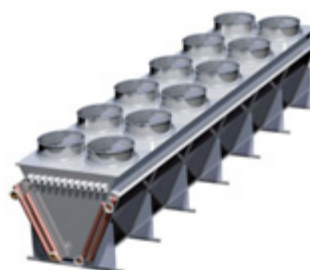
Alfa-V ANV



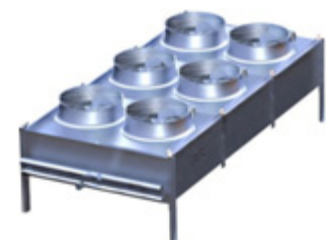
Fincoil AlfaSolar



Fincoil Solar Max



Fincoil Solar ZA/ZZ





AlfaBlue Junior - Single fan row

Prices

The model is ready to be delivered: completely assembled, in vertical position, on a pallet, protected by a plastic film, ex-works.

The basic Air Cooled Condensers includes: the coil, fan motors, caseworks factory.

This version is ready to be installed in vertical position (horizontal air flow) or in horizontal adding the support kit feet.

For more information, please see the accessories page, where you can find more electrical options.

Coil options

- EP: Epoxy coated aluminium fins.
- F-C: F-coat treatment
- SWR: Sea water resistant,(Industrial or sea coast applications).
- IF: Industrial fin
- BY: Blygold treatment
- CU: Copper fin

Model	Series				Coil options Extra price EUR					
	S	L	Q	R**	EP	F-C	SWR	IF	BY	CU
Ø 350 (230V/1Ph - 50 Hz) - ERP 2015										
AG_351A	564	547			49	109	28	22	142	164
AG_351B	647	614			56	123	31	25	160	184
AG_351C	663	658			60	132	33	27	171	198
AG_352A	877	888			99	218	55	43	284	329
AG_352B	1018	1029			110	245	62	49	319	369
AG_352C	1069	1058			118	264	66	53	342	396
AG_353A	1209	1204			147	329	82	66	426	492
AG_353B	1334	1337			166	369	92	74	479	553
AG_353C	1427	1445			178	396	99	79	514	592
AG_354A	1840	1840			197	438	109	88	569	656
AG_354B	2134	2134			221	491	123	98	639	736
AG_354C	2294	2294			237	526	132	105	685	790
AG_356A	2620	2620			296	656	164	131	854	985
AG_356B	2828	2828			332	736	184	147	958	1105
AG_356C	3035	3035			355	790	198	158	1027	1186
AG_358A	3284	3284			393	876	218	175	1138	1313
AG_358B	3574	3574			442	983	245	197	1277	1474
AG_358C	3816	3816			474	1054	264	211	1370	1580
Ø 400 (230V/1Ph - 50 Hz) - ERP 2015										
AG_401A	578	578			56	119	33	19	146	171
AG_401B	662	662			61	143	38	22	183	182
AG_402A	951	951			111	240	67	38	294	343
AG_402B	1082	1082			123	286	75	42	367	365
AG_403A	1294	1294			167	359	100	57	440	514
AG_403B	1448	1448			183	430	113	64	550	547
Ø 500 (400V/3Ph - 50 Hz) - ERP 2015										
AG_501A	1008	1009	1008		111	175	62	36	234	255
AG_501B	1156	1157	1156		125	227	72	41	314	268
AG_501C	1295	1296	1295		138	277	81	46	394	296
AG_502A	1653	1655	1653		222	350	125	71	468	512
AG_502B	1994	1996	1994		249	453	144	82	628	537
AG_502C	2229	2231	2229		276	555	163	94	789	592
AG_503A	2439	2442	2439		334	525	186	107	701	767
AG_503B	2906	2909	2906		374	679	217	124	942	804
AG_503C	3283	3286	3283		414	832	244	140	1183	888
AG_504A	3307	3373	3354		445	700	247	144	935	1022
AG_504B	3871	3875	3871		499	905	289	165	1256	1072
AG_504C	4268	4272	4268		552	1110	324	186	1577	1183
Ø 630 (400V/3Ph - 50 Hz) - ERP 2015										
AG_631A	1622	1622	1622	1622	137	213	94	54	294	546
AG_631B	1878	1878	1878	1878	159	283	107	61	404	637
AG_631C	2112	2112	2112	2112	178	353	117	68	514	711
AG_632A	2497	2497	2497	2497	274	426	186	107	587	1093
AG_632B	2894	2894	2894	2894	318	567	213	123	808	1273
AG_632C	3216	3216	3216	3216	356	707	236	136	1028	1421
AG_633A	3715	3715	3715	3715	411	640	280	161	881	1639
AG_633B	4324	4324	4324	4324	477	850	320	183	1211	1909
AG_633C	4794	4794	4794	4794	534	1061	353	204	1542	2132
AG_634A	4872	4872	4872	4872	547	853	374	213	1173	2185
AG_634B	5702	5702	5702	5702	637	1134	427	245	1614	2545
AG_634C	6351	6351	6351	6351	712	1414	472	272	2055	2843
AG_635A	5692	5405	5892	6239	684	1066	468	267	1467	2731
AG_635B	6487	6684	7294	7646	795	1417	534	306	2018	3182
AG_635C	7476	7688	8783	8212	890	1767	589	339	2569	3555
AG_636A	6667	6852	7444	7875	821	1279	560	320	1760	3277
AG_636B	8201	8437	9176	9229	955	1701	641	367	2422	3818
AG_636C	9639	9896	10117	10119	1068	2121	708	407	3083	4265

**) Available "Y" fan motor connection

Air heat exchangers – AlfaBlue Junior - Single fan row



Model	Series				Coil options Extra price EUR					
	S	L	Q	R**	EP	F-C	SWR	IF	BY	CU
Ø 350 (230V/1Ph - 50 Hz) - ERP 2015										
AGH_351A	555	555			49	109	28	22	142	164
AGH_351B	587	587			56	123	31	25	160	184
AGH_351C	653	653			60	132	33	27	171	198
AGH_352A	920	920			99	218	55	43	284	329
AGH_352B	988	988			110	245	62	49	319	369
AGH_352C	1044	1044			118	264	66	53	342	396
AGH_353A	1174	1174			147	329	82	66	426	492
AGH_353B	1268	1268			166	369	92	74	479	553
AGH_353C	1454	1454			178	396	99	79	514	592
AGH_354A	1962	1962			197	438	109	88	569	656
AGH_354B	2480	2480			221	491	123	98	639	736
AGH_354C	2417	2417			237	526	132	105	685	790
AGH_356A	3052	3052			296	656	164	131	854	985
AGH_356B	2986	2986			332	736	184	147	958	1105
AGH_356C	3231	3231			355	790	198	158	1027	1186
AGH_358A	3449	3449			393	876	218	175	1138	1313
AGH_358B	3812	3812			442	983	245	197	1277	1474
AGH_358C	4310	4310			474	1054	264	211	1370	1580
Ø 400 (230V/1Ph - 50 Hz) - ERP 2015										
AGH_401A	595	595			56	119	33	19	146	171
AGH_401B	682	682			61	143	38	22	183	182
AGH_402A	979	979			111	240	67	38	294	343
AGH_402B	1114	1114			123	286	75	42	367	365
AGH_403A	1334	1334			167	359	100	57	440	514
AGH_403B	1492	1492			183	430	113	64	550	547
Ø 500 (400V/3Ph - 50 Hz) - ERP 2015										
AGH_501A	1038	1039	1038		111	175	62	36	234	255
AGH_501B	1192	1193	1192		125	227	72	41	314	268
AGH_501C	1333	1334	1333		138	277	81	46	394	296
AGH_502A	1704	1706	1704		222	350	125	71	468	512
AGH_502B	2053	2055	2053		249	453	144	82	628	537
AGH_502C	2297	2299	2297		276	555	163	94	789	592
AGH_503A	2513	2516	2513		334	525	186	107	701	767
AGH_503B	2993	2996	2993		374	679	217	124	942	804
AGH_503C	3380	3385	3380		414	832	244	140	1183	888
AGH_504A	3304	3491	3441		445	700	247	144	935	1022
AGH_504B	3987	3992	3987		499	905	289	165	1256	1072
AGH_504C	4396	4400	4396		552	1110	324	186	1577	1183
Ø 630 (400V/3Ph - 50 Hz) - ERP 2015										
AGH_631A	1671	1671	1671	1671	137	215	94	54	297	546
AGH_631B	1934	1934	1934	1934	159	286	107	61	408	637
AGH_631C	2175	2175	2175	2175	178	357	117	68	519	711
AGH_632A	2561	2561	2561	2561	274	430	186	107	592	1093
AGH_632B	2969	2969	2969	2969	318	572	213	123	816	1273
AGH_632C	3302	3302	3302	3302	356	714	236	136	1038	1421
AGH_633A	3811	3811	3811	3811	411	845	280	161	889	1639
AGH_633B	4437	4437	4437	4437	477	858	320	183	1223	1909
AGH_633C	4921	4921	4921	4921	534	1071	353	204	1557	2132
AGH_634A	4998	4998	4998	4998	547	860	374	213	1185	2185
AGH_634B	5852	5852	5852	5852	637	1144	427	245	1630	2545
AGH_634C	6520	6520	6520	6520	712	1428	472	272	2078	2843
AGH_635A	6632	6022	5960	6099	684	1066	468	267	1467	2731
AGH_635B	7247	6636	6636	6998	795	1417	534	306	2018	3182
AGH_635C	7905	7294	7294	7700	890	1767	589	339	2569	3555
AGH_636A	7728	6996	6996	7382	821	1279	560	320	1760	3277
AGH_636B	8476	7744	7744	8178	955	1701	641	367	2422	3818
AGH_636C	9210	8478	8478	8959	1068	2121	708	407	3083	4265

**) Available "Y" fan motor connection

Accessories and options

Axial fan motor				
Model		Price		
		S	L	Q
Ø 350	230V/1ph/50Hz	NEP	NEP	—
	230V/1ph/60Hz	NEP	NEP	—
Ø 400	230V/1ph/50Hz	NEP	NEP	—
	230V/1ph/60Hz	NEP	NEP	—
	400V/3ph/50Hz	—	NEP	—
	400V/3ph/60Hz	—	NEP	—
Ø 500	230V/1ph/50Hz	NEP	NEP	NEP
	230V/1ph/60Hz	NEP	NEP	NEP
	400V/3ph/50Hz	NEP	NEP	NEP
	400V/3ph/60Hz	51	NEP	NEP
Ø 630	400V/3ph/50Hz	NEP	NEP	NEP
	400V/3ph/60Hz	220	NEP	NEP

NEP: no extra price.

Model	AC Electrical options								
	SW	EMC	CB	FP (230V/1ph)			FP (400V/3ph)		
				S	L	Q	S	L	Q
351	135	-	371	424	424	-	-	-	-
352	270	-	371	466	466	-	-	-	-
353	404	-	425	506	506	-	-	-	-
354	539	-	537	646	646	-	-	-	-
356	808	-	803	686	686	-	-	-	-
358	1079	-	968	727	727	-	-	-	-
401	135	-	371	424	424	-	-	-	-
402	270	-	371	466	466	-	-	-	-
403	404	-	425	506	506	-	-	-	-
501	135	183	371	424	424	424	1109	1109	1109
502	270	367	371	485	466	466	1165	1165	1165
503	404	551	425	539	506	506	1227	1227	1227
504	540	734	537	972	547	547	1295	1295	1295
631	135	183	371	-	-	-	1145	1145	1145
632	269	367	371	-	-	-	1201	1201	1201
633	404	551	425	-	-	-	1263	1263	1263
634	539	734	537	-	-	-	1324	1324	1324
635	673	918	629	-	-	-	1511	1400	1400
636	808	1101	856	-	-	-	1579	1468	1468

SW: Local safety switch

EMC: Local safety switch EMC

FP: Fan speed control

CB: Terminal box

EC technology fans		Price
		EC fan not wiring
Ø 500	380-460V/3/50-60Hz	640
Ø 630	380-460V/3/50-60Hz	766

Always specify type unit programming required

Extra price for each fan.

Model	EC Electrical options		
	Price		
	EC CB	EC CB+PT30	EC CB+PT50
501	150	339	339
502	301	489	489
503	450	640	640
504	600	790	790
631	156	345	345
632	311	501	501
633	468	656	656
634	623	812	812
635	779	968	968
636	934	1124	1124

The price option is intended for single unit.

EC CB: EC Terminal box

PT30: Pressure sensor - Transducer (0-10V) for Max 30bars (for AG)

PT50: Pressure sensor - Transducer (0-10V) for Max 50bars (for AGH)

Air heat exchangers – AlfaBlue Junior - Single fan row

Support kit options					
Model	Cover Galvanized steel	Feet			Vibration dampers
		Article no.	H	Price	Price
351	67	10999634	300 mm	103	166
352	67	10999634	300 mm	103	166
353	67	10999634	300 mm	103	166
354	95	10999635	300 mm	114	166
356	95	10999635	300 mm	114	166
358	95	10999635	300 mm	114	166
401	69	10999017	350 mm	108	166
402	69	10999017	350 mm	108	166
403	69	10999017	350 mm	108	166
501	79	10999364	420 mm	140	166
502	79	10999364	420 mm	140	166
503	79	10999364	420 mm	140	166
504	79	10999365	420 mm	197	405
631	108	10999461	500 mm	121	166
632	108	10999461	500 mm	121	166
633	108	10999461	500 mm	121	166
634	108	10999462	500 mm	180	405
635	108	10999463	500 mm	240	541
636	108	10999463	500 mm	240	541

The price option is intended for single unit.

AlfaBlue Condensers - Single fan row

Prices

T, S, L, Q, R Standard Noise Level Fan Motor: 400V/3ph - 50Hz for diameter 630, 800, 910 and 1000 mm.

V: Basic Unit Vertical Transport . The model is delivered: completely assembled, in vertical Position (air flow is horizontal), on a pallet, protected by a plastic film, ex-works factory.

The AlfaBlue Condensers includes: the coil, manifolds, fan motors, caseworks. Wiring has to be done by customer cabling all fans; this can be avoided adding the electrical components (see the ACCESSORIES page).

H: Basic Unit Horizontal Transport. This version is ready to be installed in horizontal position (air flow is vertical) with the support feet mounted (H = 500 mm). Wiring has to be done by customer cabling all fans; this can be avoided adding the electrical components (see the ACCESSORIES page).

Coil options

- EP: Epoxy coated aluminium fans.
- F-C: F-coat treatment
- SWR: Sea water resistant,(Industrial or sea coast applications).
- IF: Industrial fan
- BY: Blygold treatment
- CU: Copper fan

Series	Condenser										Coil options Extra price EUR					
	S		L		Q		R**		EP	F-C	SWR	IF	BY	CU		
	V	H	V	H	V	H	V	H								
Ø 630 (400V/3Ph - 50 Hz) - ERP 2015																
BCM_631A	3060	3703	2823	3466	2802	3444	3449	4092	211	297	183	93	390	1478		
BCM_631B	3320	3962	3082	3726	3061	3704	3709	4351	233	379	204	101	520	1625		
BCM_631C	3601	4245	3364	4008	3343	3986	3990	4634	255	461	210	110	650	1788		
BCM_632A	4936	5535	4462	5061	4417	5017	5714	6313	422	592	367	183	781	2957		
BCM_632B	5605	6205	5132	5732	5087	5687	6383	6983	465	757	407	204	1040	3251		
BCM_632C	6088	6688	5616	6215	5570	6170	6866	7466	512	922	420	220	1299	3575		
BCM_633A	6738	7287	6027	6576	5961	6511	7905	8454	634	889	551	276	1171	4435		
BCM_633B	7635	8186	6925	7476	6861	7410	8802	9353	697	1136	611	305	1560	4876		
BCM_633C	8282	8832	7572	8123	7507	8056	9449	9999	767	1383	630	332	1949	5363		
BCM_634A	8857	9769	7910	8822	7822	8735	10413	11325	846	1186	734	367	1563	5913		
BCM_634B	9590	10502	8644	9555	8556	9467	11146	12058	930	1515	815	407	2081	6501		
BCM_634C	10397	11308	9450	10363	9363	10275	11953	12864	1024	1845	840	442	2599	7150		
630 Long (400V/3Ph - 50 Hz) - ERP 2015																
BCM_631AL	3340	3976	3102	3739	3081	3717	3729	4365	211	343	183	93	464	1478		
BCM_631BL	3658	4294	3422	4057	3400	4037	4047	4683	233	448	204	101	629	1625		
BCM_631CL	3972	4608	3736	4371	3713	4349	4361	4997	255	554	210	110	796	1788		
BCM_632AL	5521	6098	5046	5623	5002	5580	6299	6876	422	686	367	183	927	2957		
BCM_632BL	6345	6923	5871	6449	5828	6405	7123	7701	465	897	407	204	1260	3251		
BCM_632CL	6901	7480	6428	7007	6384	6963	7679	8258	512	1108	420	220	1591	3575		
BCM_633AL	7932	8471	7222	7760	7156	7695	9099	9638	634	1028	551	276	1391	4435		
BCM_633BL	8611	9148	7900	8440	7833	8374	9778	10315	697	1345	611	305	1889	4876		
BCM_633CL	9359	9898	8650	9188	8585	9123	10526	11065	767	1662	630	332	2388	5363		
Ø 800 (400V/3Ph - 50 Hz) - ERP 2015																
BCM_801A	4295	4913	4229	4846	4207	4823	4825	5443	322	522	267	134	745	2255		
BCM_801B	4681	5297	4615	5230	4592	5210	5211	5827	353	717	294	147	1052	2472		
BCM_801C	5141	5758	5075	5691	5053	5669	5671	6288	390	913	325	164	1359	2732		
BCM_802A	7207	7768	7073	7635	7029	7592	8267	8828	644	1043	533	267	1490	4510		
BCM_802B	7853	8414	7720	8281	7677	8237	8913	9474	707	1434	587	294	2103	4944		
BCM_802C	9033	9595	8900	9463	8856	9418	10093	10655	780	1825	652	325	2718	5464		
BCM_803A	10599	11077	10399	10875	10334	10811	12189	12667	967	1566	800	401	2235	6766		
BCM_803B	11628	12105	11429	11905	11363	11840	13218	13695	1060	2152	882	441	3156	7415		
BCM_803C	12429	12905	12230	12705	12162	12640	14019	14495	1170	2738	979	489	4077	8196		
BCM_804A	13739	14542	13472	14273	13385	14186	15859	16662	1289	2088	1067	533	2980	9021		
BCM_804B	15354	16156	15086	15889	14999	15800	17474	18276	1413	2869	1176	587	4208	9887		
BCM_804C	17204	18006	16938	17740	16851	17651	19324	20126	1560	3650	1305	652	5435	10928		
BCM_805A	16596	17652	16265	17318	16155	17209	19246	20302	1611	2609	1334	666	3726	11276		
BCM_805B	18581	19404	18249	19048	18138	19251	21231	22054	1766	3585	1470	734	5259	12359		
BCM_805C	20727	21838	20394	21505	20284	21395	23377	24488	1951	4563	1630	816	6795	13660		

**) EC fan motors only

Air heat exchangers – AlfaBlue Condensers - Single fan row

T, S, L, Q, R Standard noise level fan motor.

V: Basic unit vertical transport .

H: Basic unit horizontal transport.

Coil options

- EP: Epoxy coated aluminium f ns.
- F-C: F-coat treatment
- SWR: Sea water resistant,(Industrial or sea coast applications).
- IF: Industrial f n
- BY: Blygold treatment
- CU: Copper f n

Condenser																
Series	T		S		L		Q		R**		Coil options Extra price EUR					
Position	V	H	V	H	V	H	V	H	V	H	EP	F-C	SWR	IF	BY	CU
Ø 910 (400V/3Ph - 50 Hz) - ERP 2015																
BCM_901A	-	-	4566	5172	4541	5149	4545	5152	5161	5766	322	561	267	134	808	2255
BCM_901B	-	-	4997	5601	4971	5578	4976	5582	5591	6196	353	777	294	147	1145	2472
BCM_901C	-	-	5800	6406	5776	6381	5779	6384	6395	7001	390	992	325	164	1483	2732
BCM_902A	-	-	7730	8251	7680	8202	7688	8209	8918	9440	644	1123	533	267	1615	4510
BCM_902B	-	-	8914	9436	8864	9386	8871	9394	10102	10624	707	1553	587	294	2291	4944
BCM_902C	-	-	9848	10370	9799	10322	9807	10329	11037	11560	780	1984	652	325	2966	5464
BCM_903A	-	-	11748	12190	11675	12117	11686	12128	13533	13975	967	1684	800	401	2422	6766
BCM_903B	-	-	13140	13582	13067	13509	13079	13521	14925	15366	1060	2330	882	441	3436	7415
BCM_903C	-	-	13999	14441	13926	14367	13937	14378	15783	16225	1170	2975	979	489	4450	8196
BCM_904A	-	-	15000	15756	14903	15658	14917	15674	17379	18135	1289	2246	1067	533	3229	9021
BCM_904B	-	-	16596	17352	16498	17254	16514	17269	18975	19732	1413	3106	1176	587	4580	9887
BCM_904C	-	-	18760	19517	18664	19421	18678	19435	21141	21897	1560	3967	1305	652	5933	10928

**) EC fan motors only

Condenser																
Series	T		S		L		Q		R		Coil options Extra price EUR					
Position	V	H	V	H	V	H	V	H	V	H	EP	F-C	SWR	IF	BY	CU
Ø 1000 (400V/3Ph - 50 Hz) - ERP 2015																
BCM_1001A	5264	5869	5264	5869	5209	5813	4764	5369	4727	5334	322	561	267	134	808	2255
BCM_1001B	5694	6301	5694	6301	5638	6245	5193	5799	5157	5765	353	777	294	147	1145	2472
BCM_1001C	6497	7104	6497	7104	6442	7048	5999	6603	5962	6568	390	992	325	164	1483	2732
BCM_1002A	9122	9644	9122	9644	9010	9533	8122	8643	8050	8572	644	1123	533	267	1615	4510
BCM_1002B	10306	10828	10306	10828	10195	10717	9306	9827	9235	9756	707	1553	587	294	2291	4944
BCM_1002C	11241	11764	11241	11764	11130	11652	10241	10765	10169	10691	780	1984	652	325	2966	5464
BCM_1003A	13864	14306	13864	14306	13697	14139	12363	12804	12256	12698	967	1684	800	401	2422	6766
BCM_1003B	15240	15683	15240	15683	15073	15516	13742	14183	13634	14076	1060	2330	882	441	3436	7415
BCM_1003C	16110	16552	16110	16552	15943	16385	14611	15053	14504	14946	1170	2975	979	489	4450	8196
BCM_1004A	17785	18542	17785	18542	17563	18320	15785	16540	15642	16398	1289	2246	1067	533	3229	9021
BCM_1004B	19382	20138	19382	20138	19159	19915	17380	18137	17238	17995	1413	3106	1176	587	4580	9887
BCM_1004C	21543	22300	21543	22300	21321	22077	19544	20300	19401	20158	1560	3967	1305	652	5933	10928



AlfaBlue Condensers - Double fan row

Prices

T, S, L, Q, R Standard Noise Level Fan Motor: 400V/3Ph - 50Hz.

V: Basic Unit Vertical Transport . The model is delivered: completely assembled, in vertical position (air flow is horizontal), on a pallet, protected by a plastic film, ex-works factory.

The AlfaBlue Condensers includes: the coil, manifolds, fan motors, caseworks. Wiring has to be done by customer cabling all fans; this can be avoid adding the electrical components (see the ACCESSORIES page).

H: Basic Unit Horizontal Transport. This version is ready to be installed in horizontal position (air flow is vertical) with the support feet mounted (H = 500 mm). Wiring has to be done by customer cabling all fans; this can be avoid adding the electrical components (see the ACCESSORIES page).

Coil options

- EP: Epoxy coated aluminium f ns.
- F-C: F-coat treatment
- SWR: Sea water resistant,(Industrial or sea coast applications).
- IF: Industrial fn
- BY: Blygold treatment
- CU: Copper fn

Condenser																
Series	T		S		L		Q		R**		Coil options Extra price EUR					
Position	V	H	V	H	V	H	V	H	V	H	EP	F-C	SWR	IF	BY	CU
Ø 800 (400V/3Ph - 50 Hz) - ERP 2015																
BCD_802A	-	-	11485	12099	11213	11829	11128	11744	13610	14226	1032	1870	838	420	2789	7229
BCD_802B	-	-	12824	13438	12552	13168	12467	13083	14949	15565	1168	2675	943	472	4053	8176
BCD_802C	-	-	14163	14777	13891	14507	13806	14422	16288	16904	1293	3478	1028	514	5316	9043
BCD_803A	-	-	15759	16326	15352	15918	15225	15791	18949	19514	1548	2806	1260	629	4184	10842
BCD_803B	-	-	18849	19416	18442	19008	18315	18881	22039	22604	1752	4012	1414	708	6080	12265
BCD_803C	-	-	20394	20961	19987	20553	19860	20426	23584	24149	1937	5218	1543	770	7974	13565
BCD_804A	-	-	20961	21877	20418	21334	20249	21165	25213	26130	2064	3741	1680	839	5580	14456
BCD_804B	-	-	23587	24504	23044	23961	22875	23792	27840	28757	2336	5350	1886	942	8106	16353
BCD_804C	-	-	26214	27130	25671	26587	25502	26418	30466	31383	2584	6957	2057	1029	10632	18087
BCD_805A	-	-	25235	26473	24556	25794	24345	25583	30551	31789	2581	4677	2099	1051	6974	18068
BCD_805B	-	-	28995	30233	28316	29554	28105	29343	34310	35548	2920	6687	2356	1178	10133	20441
BCD_805C	-	-	32703	33941	32024	33262	31813	33051	38018	39256	3230	8696	2571	1285	13290	22609
BCD_806A	-	-	29252	30508	28437	29694	28184	29440	35631	36887	3097	5612	2519	1260	8369	21683
BCD_806B	-	-	34145	35400	33330	34586	33076	34333	40523	41780	3504	8025	2827	1414	12159	24529
BCD_806C	-	-	39037	40293	38222	39479	37969	39225	45416	46672	3876	10436	3086	1543	15949	27130
Ø 910 (400V/3Ph - 50 Hz) - ERP 2015																
BCD_902A	-	-	11948	12551	11850	12453	11868	12471	14328	14932	1032	2191	838	420	3293	7229
BCD_902B	-	-	14008	14611	13910	14513	13928	14531	16388	16992	1168	3155	943	472	4807	8176
BCD_902C	-	-	16068	16671	15970	16573	15988	16591	18448	19052	1293	4119	1028	514	6323	9043
BCD_903A	-	-	16326	16876	16178	16728	16205	16755	19897	20447	1548	3287	1260	629	4939	10842
BCD_903B	-	-	19364	19914	19217	19767	19243	19794	22935	23485	1752	4732	1414	708	7211	12265
BCD_903C	-	-	22454	23004	22307	22857	22333	22884	26025	26575	1937	6179	1543	770	9484	13565
BCD_904A	-	-	18849	19750	18653	19555	18688	19590	23611	24512	2064	4382	1680	839	6586	14456
BCD_904B	-	-	24463	25364	24267	25168	24302	25203	29224	30125	2336	6310	1886	942	9615	16353
BCD_904C	-	-	30128	31029	29932	30833	29967	30868	34889	35790	2584	8239	2057	1029	12646	18087
BCD_905A	-	-	26214	27435	25968	27190	26014	27234	32165	33386	2581	5478	2099	1051	8232	18068
BCD_905B	-	-	31827	33049	31582	32803	31627	32848	37778	39000	2920	7887	2356	1178	12019	20441
BCD_905C	-	-	37492	38714	37247	38468	37292	38513	43443	44665	3230	10298	2571	1285	15807	22609

** EC fan motors only

Condenser																
Series	T		S		L		Q		R		Coil options Extra price EUR					
Position	V	H	V	H	V	H	V	H	V	H	EP	F-C	SWR	IF	BY	CU
Ø 1000 (400V/3Ph - 50 Hz) - ERP 2015																
BCD_1002A	14715	15318	14715	15318	14492	15096	12717	13321	12575	13178	1032	2191	838	420	3293	7229
BCD_1002B	16775	17378	16775	17378	16552	17156	14777	15381	14635	15238	1168	3155	943	472	4807	8176
BCD_1002C	18835	19438	18835	19438	18612	19216	16837	17441	16695	17298	1293	4119	1028	514	6323	9043
BCD_1003A	20475	21025	20475	21025	20142	20692	17480	18030	17267	17816	1548	3287	1260	629	4939	10842
BCD_1003B	23514	24064	23514	24064	23180	23730	20519	21069	20305	20854	1752	4732	1414	708	7211	12265
BCD_1003C	26604	27154	26604	27154	26270	26820	23609	24159	23395	23944	1937	6179	1543	770	9484	13565
BCD_1004A	24382	25283	24382	25283	23937	24838	20389	21290	20104	21005	2064	4382	1680	839	6586	14456
BCD_1004B	29996	30897	29996	30897	29551	30452	26002	26904	25717	26618	2336	6310	1886	942	9615	16353
BCD_1004C	35661	36562	35661	36562	35216	36117	31667	32569	31382	32283	2584	8239	2057	1029	12646	18087
BCD_1005A	33131	34352	33131	34352	32575	33795	28138	29359	27782	29004	2581	5478	2099	1051	8232	18068
BCD_1005B	38744	39965	38744	39965	38188	39409	33751	34973	33396	34617	2920	7887	2356	1178	12019	20441
BCD_1005C	44409	45630	44409	45630	43853	45074	39416	40638	39061	40282	3230	10298	2571	1285	15807	22609

Air heat exchangers – AlfaBlue Condensers Accessories and options

Accessories and options

Axial fan motor				
Model		Price		
		S	L	Q
Fan motor 400V/3ph-60 Hz, IP54, 460V/3ph-60 Hz, IP54, Extra price for each fan.	Ø 630	180	36	57
	Ø 800	484	NEP	NEP
	Ø 910	231	320	224
	Ø 1000	NEP	-	NEP
NEP: No extra price				
Explosion-proof fan motor				
On request				

AC Electrical options														
Model	Price													
	SW	EMC	CB	Switch board									BSFP	
				B	BS	BP	BSP	BFP			T	S	L	
BCM														
631	135	183	295	2259	2552	2956	3214	-	3610	3610	-	3867	3867	
632	270	367	370	2259	2552	2956	3214	-	3841	3841	-	4099	4099	
633	404	552	722	2470	3129	3166	3459	-	4082	4082	-	4410	4410	
634	540	735	1011	3367	3771	4138	4430	-	3617	4993	-	4020	5397	
631L	135	183	295	2259	2552	2956	3214	-	3610	3610	-	3867	3867	
632L	270	367	370	2259	2552	2956	3214	-	3841	3841	-	4099	4099	
633L	404	552	722	2470	3129	3166	3459	-	4082	4082	-	4410	4410	
801	135	183	365	2032	2289	2724	2945	-	3617	3617	-	3837	3837	
802	270	367	596	2264	2556	2956	3214	-	3869	3869	-	4127	4127	
803	404	552	720	2478	3139	3167	3460	-	4160	4125	-	4491	4454	
804	540	735	1037	3387	3788	4140	4433	-	5093	5056	-	5496	5460	
805	674	919	1144	3640	4116	4371	4703	-	5601	5376	-	6040	5815	
901	135	183	376	2032	2289	2730	2949	-	3624	3624	-	3842	3842	
902	270	367	579	2264	2556	2960	3217	-	3879	3879	-	4134	4134	
903	404	552	720	2478	3139	3175	3468	-	4188	4150	-	4517	4481	
904	540	735	1037	3387	3788	4156	4450	-	5128	5093	-	5533	5496	
1001	135	183	376	2032	2289	2730	2949	3624	3624	3624	3842	3842	3842	
1002	270	367	579	2264	2556	2960	3217	3916	3879	3879	4173	4134	4134	
1003	404	552	720	2478	3139	3175	3468	4785	4188	4188	5114	4517	4517	
1004	540	735	1037	3387	3788	4156	4450	5836	5128	5355	6241	5533	5759	
BCD														
802	540	735	1217	2877	3170	3574	3830	-	5310	4848	-	5565	5105	
803	809	1102	1642	3109	3768	3805	4098	-	5750	5153	-	6080	5484	
804	1078	1471	2277	4059	4463	4830	5122	-	7017	6536	-	7421	6940	
805	1348	1838	2624	4430	4908	5164	5457	-	7638	7528	-	8150	8042	
806	1618	2206	3017	4848	5164	5312	5604	-	7943	7592	-	8511	8213	
902	540	735	1261	2882	3175	3579	3837	-	5223	4787	-	5479	5045	
903	809	1102	1707	3114	3773	3811	4104	-	5821	5223	-	6149	5552	
904	1078	1471	2161	4076	4478	4845	5139	-	7007	6635	-	7411	7040	
905	1348	1838	2660	4456	4935	5189	5484	-	7111	7002	-	7623	7514	
1002	540	735	1261	2884	3177	3579	3837	5295	5223	5086	5552	5479	5343	
1003	809	1102	1593	3117	3777	3814	4107	4586	5821	5821	4914	6149	6149	
1004	1078	1471	2161	4076	4478	4845	5139	5824	7007	7116	6226	7411	7521	
1005	1348	1838	2660	4456	4934	5189	5484	5766	7111	5933	6281	7623	6448	

The price option is intended for single unit.

For all these option the equipment is cabled to the electric motors terminal box.

Noise Level: T, S, L, Q, R

SW: Local safety switch

BP: Basic switch board + fan step control press.

EMC: Local safety switch EMC

BSP: Basic switch board + signal + fan step control press.

CB: Terminal box

BFP: Basic switch board + fan speed control press. C option included

B: Basic switch board

BSFP: Basic switch board + signal + fan speed control press. C option included

BS: Basic switch board + signal

Switch board options	
Option to be added to the switch board.	All models
R Anti-condensate resistor 230Vac (Max operating temperature -25°C)	302
C Cooling fan 230Vac (max. operating temperature + 50°C)	337
F Cooling fan + Anti-condensate resistor (operating temperature -25 + 50°C)	639



Air heat exchangers – AlfaBlue Condensers Accessories and options

Model	Price									
	BI					BIC				
	T	S	L	Q	R	T	S	L	Q	R
BCM										
631	-	-	-	-	-	-	-	-	-	-
632	-	-	-	-	-	-	-	-	-	-
633	-	4645	3414	3414	-	-	-	-	-	-
634	-	5136	3865	3699	-	-	-	-	-	-
631L	-	-	-	-	-	-	-	-	-	-
632L	-	-	-	-	-	-	-	-	-	-
633L	-	4663	3433	3433	-	-	-	-	-	-
801	-	-	-	-	-	-	-	-	-	-
802	-	-	-	-	-	-	-	-	-	-
803	-	4460	3616	3451	-	-	-	-	-	-
804	-	4990	4768	3924	-	-	-	-	-	-
805	-	5730	5301	4459	-	-	-	-	-	-
901	-	-	-	-	-	-	-	-	-	-
902	-	-	-	-	-	-	-	-	-	-
903	-	4477	3634	3468	-	-	-	-	-	-
904	-	5020	4799	3790	-	-	-	-	-	-
1001	-	-	-	-	-	-	-	-	-	-
1002	-	-	-	-	-	-	-	-	-	-
1003	4906	4477	4477	3634	3468	-	-	-	-	-
1004	6835	5020	5020	3955	3955	-	-	-	-	-
BCD										
802	-	4942	4719	3878	-	-	5014	4722	4586	-
803	-	7282	5747	4682	-	-	6093	5634	5210	-
804	-	8147	6498	6071	-	-	7035	6383	6031	-
805	-	8568	7769	6013	-	-	8147	7181	6722	-
806	-	-	7872	6058	-	-	10583	8205	7553	-
902	-	4967	4744	3735	-	-	4963	4612	4612	-
903	-	5990	5562	4718	-	-	5914	5562	5132	-
904	-	8207	6353	5287	-	-	7134	6482	5837	-
905	-	8652	6525	6099	-	-	8287	7322	6651	-
1002	6780	4967	4967	3900	3900	5412	4963	5042	4612	4612
1003	-	5990	7542	5562	5562	7155	5914	6154	5562	5269
1004	-	8207	8779	6353	6131	9555	7134	7134	6482	6130
1005	-	8652	-	6525	6321	10828	8287	8287	7322	6863

The price option is intended for single unit.

- BI** Inverter equipment + switchboard by Ziehl-Abegg with integrated Sinus Filter (shielded cable not required).
Operating temperature range: -20/+55°C (the equipment have to be always powered).
- BIC** Electrical Cabinet with Inverter equipment by ABB. Shielded cable included.
Operating temperature range: -25/+55°C (the equipment have to be always powered).
With BIC is possible to install only EMC.

B/BIC Options	
Option to be added to the switch board.	All models
R Anti-condensate resistor 230Vac (Max operating temperature -25°C)	302
C Cooling fan 230Vac (max. operating temperature + 50°C)	Already included

Air heat exchangers – AlfaBlue Condensers Accessories and options

EC technology fans	Model	Price				
		EC fan not wiring				
		T	S	L	Q	R
380-460V/3/50-60Hz Extra price for each fan	Ø 630	-	726	646	646	-
	Ø 630L	-	726	646	646	-
	Ø 800	-	726	572	572	-
	Ø 910	-	742	742	523	-
	Ø 1000	317	317	317	831	831

Always specify type unit programming required

NEP: No extra price, NA = Not Available

EC Electrical options				
Model	Price			
	EC CB	EC CB1	BEC	BEC1
BCM				
631	426	559	1307	1441
632	504	638	1413	1546
633	582	715	1523	1656
634	756	890	1636	1769
631L	426	559	1307	1441
632L	504	638	1413	1546
633L	582	715	1523	1656
801	426	559	1307	1441
802	504	638	1413	1546
803	582	715	1523	1656
804	756	890	1636	1769
805	834	968	1739	1873
901	426	559	1307	1441
902	504	638	1413	1546
903	582	715	1523	1656
904	756	890	1636	1769
1001	426	559	1307	1441
1002	504	638	1413	1546
1003	582	715	1523	1656
1004	756	890	1636	1769
BCD				
802	857	990	1636	1769
803	1012	1145	1886	2019
804	1363	1497	2127	2261
805	1518	1652	2372	2505
806	1674	1808	2624	2757
902	857	990	1636	1769
903	1012	1145	1886	2019
904	1363	1497	2127	2261
905	1518	1652	2372	2505
1002	857	990	1636	1769
1003	1012	1145	1886	2019
1004	1363	1497	2127	2261
1005	1518	1652	2372	2505

The price option is intended for single unit.

For all these option the equipment is cabled to the electric motors terminal box.

Noise Level: T, S, L, Q, R

EC CB: Parallel connection box 0-10V signal

BEC: Parallel switchboard 0-10V signal

EC CB1: Master/slave connection box with pressure signal

BEC1: Master/slave switchboard with pressure signal



Air heat exchangers – AlfaBlue Condensers Accessories and options

Model	Coil options			Support kit options						
	MC	SC	Spray water	Feet						Vibration dampers
				H850 mm		H500 mm		A		
	Price			Article no.	Price	Article no.	Price	Article no.	Price	Price
BCM										
631	61	61	-	10999206	535	10999203	381	10999209	402	166
632	61	61	-	10999206	535	10999203	381	10999209	402	166
633	61	61	-	10999206	535	10999203	381	10999209	402	166
634	61	61	-	10999207	773	10999204	542	10999210	573	405
631L	61	61	-	10999206	535	10999203	381	10999209	402	166
632 L	61	61	-	10999206	535	10999203	381	10999209	402	166
633 L	61	61	-	10999206	535	10999203	381	10999209	402	166
801	61	61	-	10999206	535	10999203	381	10999209	402	166
802	61	61	-	10999206	535	10999203	381	10999209	402	166
803	61	61	-	10999206	535	10999203	381	10999209	402	166
804	61	61	-	10999207	773	10999204	542	10999210	573	405
805	61	61	-	10999208	1012	10999205	703	10999211	746	541
901	61	61	-	10999206	535	10999203	381	10999209	402	166
902	61	61	-	10999206	535	10999203	381	10999209	402	166
903	61	61	-	10999206	535	10999203	381	10999209	402	272
904	61	61	-	10999207	773	10999204	542	10999210	573	405
1001	61	61	-	10999206	535	10999203	381	10999209	402	166
1002	61	61	-	10999206	535	10999203	381	10999209	402	166
1003	61	61	-	10999206	535	10999203	381	10999209	402	272
1004	61	61	-	10999207	773	10999204	542	10999210	573	405
BCD										
802	123	123	657	10999206	535	10999203	381	10999209	402	272
803	123	123	984	10999206	535	10999203	381	10999209	402	272
804	123	123	1282	10999207	773	10999204	542	10999210	573	405
805	123	123	1602	10999208	1012	10999205	703	10999211	746	541
806	123	123	1733	10999208	1012	10999205	703	10999211	746	541
902	123	123	657	10999206	535	10999203	381	10999209	402	272
903	123	123	984	10999206	535	10999203	381	10999209	402	272
904	123	123	1282	10999207	773	10999204	542	10999210	573	405
905	123	123	1602	10999208	1012	10999205	703	10999211	746	541
1002	123	123	657	10999206	535	10999203	381	10999209	402	272
1003	123	123	984	10999206	535	10999203	381	10999209	402	272
1004	123	123	1282	10999207	773	10999204	542	10999210	573	405
1005	123	123	1602	10999208	1012	10999205	703	10999211	746	541

The price option is intended for single unit.

MC: multi-circuits (for each additional circuit)
SC: sub-cooling circuit

Spray water: on the unit
NEP: No extra price

The vibration dampers are delivered without bolts and nuts.

Kit of support feet:

H: Horizontal position

A : Feet adjustable from 350 to 950 mm

Fincoil AlfaSolar Prices

AlfaSolar Model	Solar Model	Aluminium fins		Extra price		Extra price		Epoxy painted casing			
		Fin spacing		Epoxy coated fins		Copper fins		RAL 7040 (light gray)			
		2.3 & 4 mm	3.2 mm	2.3 mm	3.2 mm	2.3 mm	3.2 mm	MU	M1	M2	M3
SCM1A09_N5_3H	SCA(G)-111-09	6568	6498	401	322	2093	1498	971	2137	2137	2137
SCM1A09_N5_4H	SCA(G)-112-09	7282	7189	460	356	2784	1990	971	2137	2137	2137
SCM1B09_N5_4H	SCA(G)-113-09	7755	7635	524	390	3569	2548	971	2137	2137	2186
SCM2A09_N5_3H	SCA(G)-121-09	9639	9499	801	645	4186	2995	1165	2564	2564	2942
SCM2A09_N5_4H	SCA(G)-122-09	10745	10557	921	713	5568	3980	1165	2564	2564	2942
SCM2B09_N5_4H	SCA(G)-123-09	11718	11477	1049	781	7138	5096	1165	2564	2799	3376
SCM3A09_N5_3H	SCA(G)-131-09	13112	12902	1202	967	6279	4493	1271	2797	3172	3827
SCM3A09_N5_4H	SCA(G)-132-09	14581	14300	1381	1069	8352	5970	1271	2797	3172	3827
SCM3B09_N5_4H	SCA(G)-133-09	16066	15705	1573	1171	10707	7645	1271	2797	3645	4406
SCM4A09_N5_3H	SCA(G)-141-09	16450	16170	1603	1290	8372	5990	1519	3341	4278	5170
SCM4A09_N5_4H	SCA(G)-142-09	18334	17959	1842	1426	11136	7960	1519	3341	4278	5170
SCM4B09_N5_4H	SCA(G)-143-09	19800	19318	2097	1561	14276	10193	1519	3341	4870	5893
SCM5A09_N5_3H	SCA(G)-151-09	18776	18424	2003	1612	10465	7488	1624	3574	5006	6055
SCM5A09_N5_4H	SCA(G)-152-09	20925	20457	2302	1782	13920	9950	1624	3574	5006	6055
SCM5B09_N5_4H	SCA(G)-153-09	23289	22687	2621	1952	17845	12741	1868	4110	5757	6964
SCD2B09_N5_3H	SCA(G)-221-09	17679	17408	1397	1096	7980	5684	1413	3108	3906	4718
SCD2B09_N5_4H	SCA(G)-222-09	19605	19244	1615	1213	10632	7570	1413	3108	3906	4718
SCD2C09_N5_4H	SCA(G)-223-09	20703	20282	1778	1310	12403	8831	1519	3341	4278	5170
SCD3B09_N5_3H	SCA(G)-231-09	23174	22768	2095	1644	11971	8525	1660	3651	5367	6495
SCD3B09_N5_4H	SCA(G)-232-09	25833	25291	2423	1820	15947	11356	1660	3651	5367	6495
SCD3C09_N5_4H	SCA(G)-233-09	27500	26868	2667	1965	18605	13247	1660	3651	5367	6495
SCD4B09_N5_3H	SCA(G)-241-09	28085	27543	2793	2192	15961	11367	1907	4195	6948	8416
SCD4B09_N5_4H	SCA(G)-242-09	31295	30573	3230	2427	21263	15141	1907	4195	6948	8416
SCD4B09_N5_5H	-	34861	33958	3646	2641	26549	18894	1907	4195	6948	8416
SCD4C09_N5_4H	SCA(G)-243-09	33430	32587	3556	2620	24807	17662	1907	4195	7540	9139
SCD4C09_N5_5H	-	37506	36453	4009	2839	30974	22046	1907	4195	7540	9139
SCD4C09_N5_6H	-	41569	40305	4491	3086	37158	26442	1907	4195	7540	9139
SCD5B09_N5_3H	SCA(G)-251-09	34109	33432	3492	2740	19951	14209	2278	5011	8312	10069
SCD5B09_N5_4H	SCA(G)-252-09	38020	37117	4038	3033	26579	18926	2278	5011	8312	10069
SCD5B09_N5_5H	-	42815	41687	4558	3301	33187	23618	2278	5011	8312	10069
SCD5C09_N5_4H	SCA(G)-253-09	40771	39718	4444	3275	31008	22078	2278	5011	9022	10936
SCD5C09_N5_5H	-	45741	44425	5011	3548	38718	27558	2278	5011	9022	10936
SCD5C09_N5_6H	-	50712	49132	5613	3857	46448	33053	2278	5011	9022	10936
SCD6B09_N5_3H	SCA(G)-261-09	40261	39448	4190	3288	23941	17051	2543	5594	9895	11993
SCD6B09_N5_4H	SCA(G)-262-09	44857	43773	4845	3640	31895	22711	2543	5594	9895	11993
SCD6B09_N5_5H	SCA(G)-264-09	48070	46716	5469	3961	39824	28341	2543	5594	9895	11993
SCD6B09_N5_6H	SCA(G)-265-09	49840	48215	5951	4141	47759	33984	2543	5594	9895	11993
SCD6C09_N5_4H	SCA(G)-263-09	54627	53363	5333	3930	37210	26494	2543	5594	10842	13150
SCD6C09_N5_5H	SCA(G)-266-09	54296	52716	6013	4258	46461	33069	2543	5594	10842	13150
SCD6C09_N5_6H	SCA(G)-267-09	59343	57447	6736	4629	55737	39663	2543	5594	10842	13150
SCD7B09_N5_3H	SCA(G)-271-09	46224	45276	4888	3836	27932	19892	2755	6060	11351	13763
SCD7B09_N5_4H	SCA(G)-272-09	51504	50240	5653	4247	37211	26497	2755	6060	11351	13763
SCD7B09_N5_5H	SCA(G)-273-09	57280	55700	6381	4622	46461	33065	2755	6060	11351	13763
SCD7B09_N5_6H	SCA(G)-274-09	62753	60857	6943	4831	55719	39648	2755	6060	11351	13763

AlfaSolar Model	Solar Model	Aluminium fins		Extra price		Extra price		Epoxy painted casing			
		Fin spacing		Epoxy coated fins		Copper fins		RAL 7040 (light gray)			
		2.3 & 4 mm	3.2 mm	2.3 mm	3.2 mm	2.3 mm	3.2 mm	MU	M1	M2	M3
SCD2B12_N5_3H	SCA(G)-221-12	20146	19875	1397	1096	7980	5684	1413	3108	3906	4718
SCD2B12_N5_4H	SCA(G)-222-12	22023	21662	1615	1213	10632	7570	1413	3108	3906	4718
SCD2C12_N5_4H	SCA(G)-223-12	23154	22733	1778	1310	12403	8831	1519	3341	4278	5170
SCD3B12_N5_3H	SCA(G)-231-12	26920	26513	2095	1644	11971	8525	1660	3651	5367	6495
SCD3B12_N5_4H	SCA(G)-232-12	29511	28969	2423	1820	15947	11356	1660	3651	5367	6495
SCD3C12_N5_4H	SCA(G)-233-12	31244	30612	2667	1965	18605	13247	1660	3651	5367	6495
SCD4B12_N5_3H	SCA(G)-241-12	33036	32494	2793	2192	15961	11367	1907	4195	6948	8416
SCD4B12_N5_4H	SCA(G)-242-12	36165	35442	3230	2427	21263	15141	1907	4195	6948	8416
SCD4B12_N5_5H	-	39730	38828	3646	2641	26549	18894	1907	4195	6948	8416
SCD4C12_N5_4H	SCA(G)-243-12	38399	37556	3556	2620	24807	17662	1907	4195	7540	9139
SCD4C12_N5_5H	-	42354	41301	4009	2839	30974	22046	1907	4195	7540	9139
SCD4C12_N5_6H	-	46233	44969	4491	3086	37158	26442	1907	4195	7540	9139
SCD5B12_N5_3H	SCA(G)-251-12	40236	39559	3492	2740	19951	14209	2278	5011	8312	10069
SCD5B12_N5_4H	SCA(G)-252-12	44048	43145	4038	3033	26579	18926	2278	5011	8312	10069
SCD5B12_N5_5H	-	48456	47328	4558	3301	33187	23618	2278	5011	8312	10069
SCD5C12_N5_4H	SCA(G)-253-12	46930	45876	4444	3275	31008	22078	2278	5011	9022	10936
SCD5C12_N5_5H	-	51396	50079	5011	3548	38718	27558	2278	5011	9022	10936
SCD5C12_N5_6H	-	56142	54562	5613	3857	46448	33053	2278	5011	9022	10936
SCD6B12_N5_3H	SCA(G)-261-12	47586	46774	4190	3288	23941	17051	2543	5594	9895	11993
SCD6B12_N5_4H	SCA(G)-262-12	52065	50981	4845	3640	31895	22711	2543	5594	9895	11993
SCD6B12_N5_5H	SCA(G)-264-12	55446	54091	5469	3961	39824	28341	2543	5594	9895	11993
SCD6B12_N5_6H	SCA(G)-265-12	56924	55299	5951	4141	47759	33984	2543	5594	9895	11993
SCD6C12_N5_4H	SCA(G)-263-12	61590	60326	5333	3930	37210	26494	2543	5594	10842	13150
SCD6C12_N5_5H	SCA(G)-266-12	61514	59934	6013	4258	46461	33069	2543	5594	10842	13150
SCD6C12_N5_6H	SCA(G)-267-12	66432	64536	6736	4629	55737	39663	2543	5594	10842	13150
SCD7B12_N5_3H	SCA(G)-271-12	54722	53774	4888	3836	27932	19892	2755	6060	11351	13763
SCD7B12_N5_4H	SCA(G)-272-12	59902	58638	5653	4247	37211	26497	2755	6060	11351	13763
SCD7B12_N5_5H	SCA(G)-273-12	65531	63950	6381	4622	46461	33065	2755	6060	11351	13763
SCD7B12_N5_6H	SCA(G)-274-12	70864	68968	6943	4831	55719	39648	2755	6060	11351	13763



Accessories and options

Step control (SC)		
Fan speed	FLC (Full load current)	
	Ø914 mm	Ø1240 mm
350 rpm	1.44A	6.2A
470 rpm	2.6A	7.5A
560 rpm	2.9A	11A
720 rpm	4.9A	16A
950 rpm	9.3A	27A

Step control (SC)			
Rows x Number of fans	Number of steps	Pr	EC
Current / fan: until 6.9A			
1 x 2	2	3026	1291
1 x 3	3	4083	1680
1 x 4	4	4450	2069
1 x 5	5	5884	2447
1 x 6	6	6985	2992
1 x 7	7	7331	3460
2 x 2	2	3972	2047
2 x 3	3	5195	2925
2 x 4	4	6385	3760
2 x 5	5	8366	4828
2 x 6	6	9043	5539
2 x 7	7	9634	5963
Current / fan: 7.0A - 9.9A			
1 x 2	2	3115	1358
1 x 3	3	4216	1769
1 x 4	4	4639	2213
1 x 5	5	6107	2637
1 x 6	6	7309	3215
1 x 7	7	7653	3727
2 x 2	2	4149	2158
2 x 3	3	5395	3092
2 x 4	4	6619	3972
2 x 5	5	8699	5117
2 x 6	6	9333	5863
2 x 7	7	10201	6363
Current / fan: 10A-16A			
1 x 2	2	3270	1358
1 x 3	3	4450	1769
1 x 4	4	4872	2213
1 x 5	5	6429	2637
1 x 6	6	7653	3215
1 x 7	7	7309	3727
Current / fan: 17A-27A			
1 x 2	2	3615	1980
1 x 3	3	4584	2547
1 x 4	4	5406	3370
1 x 5	5	7142	4060
1 x 6	6	8187	4928
1 x 7	7	9388	6218
SC-Pr =	Pressure control for condensers		
SC-EC =	External control.		

Subject to changes without prior notice.



Frequency converter (SCV)												
Fan 914 mm		3/400V 50Hz	350 rpm		470 rpm		560 rpm		720 rpm		950 rpm	
AlfaSolar Model	Solar Model	Fan	SVC	BPA	SVC	BPA	SVC	BPA	SVC	BPA	SVC	BPA
SCM1A09_3	111	1 x 1	3415	489	3415	489	3548	478	3682	489	3760	489
SCM1A09_4	112	1 x 1	3415	489	3415	489	3548	478	3682	489	3760	489
SCM1B09_4	113	1 x 1	3415	489	3415	489	3548	478	3682	489	3760	489
SCM2A09_3	121	1 x 2	3905	489	4038	489	4105	489	4172	489	4528	501
SCM2A09_4	122	1 x 2	3905	489	4038	489	4105	489	4172	489	4528	501
SCM2B09_4	123	1 x 2	3905	489	4038	489	4105	489	4172	489	4528	501
SCM3A09_3	131	1 x 3	4216	489	4160	489	4405	489	4505	489	5061	534
SCM3A09_4	132	1 x 3	4216	489	4160	489	4405	489	4505	489	5061	534
SCM3B09_4	133	1 x 3	4216	489	4160	489	4405	489	4505	489	5061	534
SCM4A09_3	141	1 x 4	4505	489	4483	489	4716	489	5184	501	5752	634
SCM4A09_4	142	1 x 4	4505	489	4483	489	4716	489	5184	501	5752	634
SCM4B09_4	143	1 x 4	4505	489	4483	489	4716	489	5184	501	5752	634
SCM5A09_3	151	1 x 5	4661	489	4872	501	5240	489	5462	501	6452	634
SCM5A09_4	152	1 x 5	4661	489	4872	501	5240	489	5462	534	6452	634
SCM5B09_4	153	1 x 5	4661	489	4872	501	5240	489	5462	534	6452	634
SCD2B09_3	221	2 x 2	4505	489	4483	489	4716	489	5184	501	5752	634
SCD2B09_4	222	2 x 2	4505	489	4483	489	4716	489	5184	501	5752	634
SCD2C09_4	223	2 x 2	4505	489	4483	489	4716	489	5184	501	5752	634
SCD3B09_3	231	2 x 3	4950	489	5629	501	5740	534	6096	534	7531	712
SCD3B09_4	232	2 x 3	4950	489	5629	501	5740	534	6096	534	7531	712
SCD3C09_4	233	2 x 3	4950	489	5629	501	5740	534	6096	534	7531	712
SCD4B09_3	241	2 x 4	5662	489	6574	534	6574	534	7164	623	8143	857
SCD4B09_4	242	2 x 4	5662	489	6574	534	6574	534	7164	623	8143	857
SCD4C09_4	243	2 x 4	5662	489	6574	534	6574	534	7164	623	8143	857
SCD5B09_3	251	2 x 5	6663	512	7164	534	7353	634	8232	634	9222	913
SCD5B09_4	252	2 x 5	6663	512	7164	534	7353	634	8232	634	9222	913
SCD5C09_4	253	2 x 5	6663	512	7164	534	7353	634	8232	634	9222	913
SCD6B09_3	261	2 x 6	7164	501	8021	634	7998	667	9555	857	11546	1179
SCD6B09_4	262	2 x 6	7164	501	8021	634	7998	667	9555	857	11546	1179
SCD6C09_4	263	2 x 6	7164	501	8021	634	7998	667	9555	857	11546	1179
SCD6B09_5	264	2 x 6	7164	501	8021	634	7998	667	9555	857	11546	1179
SCD6B09_6	265	2 x 6	7164	501	8021	634	7998	667	9555	857	11546	1179
SCD6C09_5	266	2 x 6	7164	501	8021	634	7998	667	9555	857	11546	1179
SCD6C09_6	267	2 x 6	7164	501	8021	634	7998	667	9555	857	11546	1179
SCD7B09_3	271	2 x 7	9567	545	10223	612	10757	612	11713	890	17854	2658
SCD7B09_4	272	2 x 7	9567	545	10223	612	10757	612	11713	890	17854	2658
SCD7B09_5	273	2 x 7	9567	545	10223	612	10757	612	11713	890	17854	2658
SCD7B09_6	274	2 x 7	9567	545	10223	612	10757	612	11713	890	17854	2658

BPA = Automatic by-pass

Extra price EUR		
Pressure transmitter (4-20mA)	990	/ pc
Pressure transmitter (1-5V) 2 condensation circuit	301	/ Fan
Thermal contact protection (THC)	111	/ Fan
Safety isolating switch for each fan (Q)	111	/ Fan

Subject to changes without prior notice.

Air heat exchangers – Fincoil AlfaSolar

Frequency converter (SCV)												
Fan 1240 mm		3/400V 50Hz	350 rpm		470 rpm		560 rpm		720 rpm		950 rpm	
AlfaSolar Model	Solar Model	Fan	SVC	BPA	SVC	BPA	SVC	BPA	SVC	BPA	SVC	BPA
SCD2B12_3	221	1 x 2	4294	489	4594	501	4795	534	5317	634	6774	734
SCD2B12_4	222	1 x 2	4294	489	4594	501	4795	534	5317	634	6774	734
SCD2C12_4	223	1 x 2	4294	489	4594	501	4795	534	5317	634	6774	734
SCD3B12_3	231	1 x 3	4962	489	5061	534	5518	634	6519	734	7375	1557
SCD3B12_4	232	1 x 3	4962	489	5061	534	5518	634	6519	734	7375	1557
SCD3C12_4	233	1 x 3	4962	489	5061	534	5518	634	6519	734	7375	1557
SCD4B12_3	241	1 x 4	5206	501	5762	634	6218	712	7164	913	9734	1824
SCD4B12_4	242	1 x 4	5206	501	5762	634	6218	712	7164	913	9734	1824
SCD4C12_4	243	1 x 4	5206	501	5762	634	6218	712	7164	913	9734	1824
SCD5B12_3	251	1 x 5	5907	534	5984	712	7353	857	8699	913	12092	2213
SCD5B12_4	252	1 x 5	5907	534	5984	712	7353	857	8699	913	12092	2213
SCD5C12_4	253	1 x 5	5907	534	5984	712	7353	857	8699	913	12092	2213
SCD6B12_3	261	1 x 6	6596	534	6730	857	7787	857	10656	1557	14049	2625
SCD6B12_4	262	1 x 6	6596	534	6730	857	7787	857	10656	1557	14049	2625
SCD6C12_4	263	1 x 6	6596	534	6730	857	7787	857	10656	1557	14049	2625
SCD6B12_5	264	1 x 6	6596	534	6730	857	7787	857	10656	1557	14049	2625
SCD6B12_6	265	1 x 6	6596	534	6730	857	7787	857	10656	1557	14049	2625
SCD6C12_5	266	1 x 6	6596	534	6730	857	7787	857	10656	1557	14049	2625
SCD6C12_6	267	1 x 6	6596	534	6730	857	7787	857	10656	1557	14049	2625
SCD7B12_3	271	1 x 7	7075	623	7809	734	8955	879	14172	2280	18044	3604
SCD7B12_4	272	1 x 7	7075	623	7809	734	8955	879	14172	2280	18044	3604
SCD7B12_5	273	1 x 7	7075	623	7809	734	8955	879	14172	2280	18044	3604
SCD7B12_6	274	1 x 7	7075	623	7809	734	8955	879	14172	2280	18044	3604

BPA = Automatic by-pass

Extra price EUR		
Pressure transmitter (4-20mA)	990	/ pc
Pressure transmitter (1-5V) 2 condensation circuit	301	/ pc
Thermal contact protection (THC)	111	/ Fan
Safety isolating switch for each fan (Q)	111	/ Fan

Subject to changes without prior notice.



Alfa-V Condensers - Single fan row

Prices

T, S, L, Q, R Standard Noise Level Fan Motor: 400V/3Ph - 50Hz.

Coil options

- EP: Epoxy coated aluminium fns.
- F-C: F-coat treatment
- SWR: Sea water resistant,(Industrial or sea coast applications).
- IF: Industrial f n
- BY: Blygold treatment
- CU: Copper f n

Alfa-V Condensers - Single fan row											
Model	Series				Coil options Extra price						
	S	L	Q	R**	EP	F-C	SWR	BY	BY	CU	
Ø 800 (400V/3Ph - 50Hz) - ERP 2015											
VCM_801A	4389	4325	4304	4923	422	426	107	186	587	2540	
VCM_801B	4645	4582	4561	5181	456	567	123	213	808	2738	
VCM_801C	5158	5095	5074	5693	509	707	136	236	1028	3051	
VCM_802A	6614	6487	6445	7684	846	853	213	7476	1173	5079	
VCM_802B	7282	7155	7113	8352	913	1134	213	7476	1614	5475	
VCM_802C	8153	8027	7985	9224	1017	1414	213	7476	2055	6103	
VCM_803A	8920	8730	8666	10525	1268	1279	320	7476	1760	7619	
VCM_803B	9879	9689	9625	11483	1368	1701	320	7476	2422	8213	
VCM_803C	11419	11228	11165	13023	1525	2121	320	7476	3083	9154	
VCM_804A	11472	11219	11134	13612	1691	1706	427	7476	2347	10159	
VCM_804B	12498	12245	12160	14637	1824	2267	427	7476	3229	10951	
VCM_804C	14430	14176	14091	16570	2033	2828	427	7476	4111	12206	
VCM_805A	13793	13475	13369	16468	2114	2133	534	7476	2934	12698	
VCM_805B	15074	14757	14651	17749	2280	2834	534	7476	4037	13688	
VCM_805C	17637	17319	17213	20312	2542	3535	534	7476	5139	15256	
VCM_806A	16110	15730	15602	19320	2536	2560	641	7476	3521	15238	
VCM_806B	17650	17269	17142	20860	2737	3401	641	7476	4843	16425	
VCM_806C	20725	20345	20218	23935	3050	4243	641	7476	6166	18308	
Ø 910 (400V/3Ph -50Hz)											
VCM_901A	4836	4811	4815	5431	422	482	126	220	674	2540	
VCM_901B	5118	5093	5099	5713	456	650	144	252	937	2738	
VCM_901C	5683	5658	5662	6278	509	818	160	278	1201	3051	
VCM_902A	7288	7240	7248	8479	846	964	252	440	1347	5079	
VCM_902B	7853	7803	7813	9042	913	1300	288	504	1875	5475	
VCM_902C	8982	8933	8941	10172	1017	1636	320	556	2403	6103	
VCM_903A	9895	9822	9835	11681	1268	1445	378	660	2021	7619	
VCM_903B	10885	10811	10824	12670	1368	1949	432	756	2813	8213	
VCM_903C	12578	12505	12519	14363	1525	2452	480	834	3604	9154	
VCM_904A	12641	12543	12561	15022	1691	1927	504	880	2694	10159	
VCM_904B	13771	13673	13691	16151	1824	2599	576	1008	3750	10951	
VCM_904C	16029	15931	15949	18409	2033	3270	640	1112	4805	12206	
VCM_905A	15198	15076	15098	18174	2114	2409	630	1100	3368	12698	
VCM_905B	16609	16486	16509	19584	2280	3249	720	1260	4688	13688	
VCM_905C	19431	19308	19331	22407	2542	4088	800	1390	6007	15256	

**) EC fan motors only



Accessories and options

Axial fan motor		Model	Price		
Fan motor 400V/3ph-60 Hz, IP54, 460V/3ph-60 Hz, IP54, Extra price for each fan			S	L	Q
		Ø 800	484	NEP	NEP
		Ø 910	232	320	244

NEP: No extra price

AC Electrical options											
Model	Price										
	SW	EMC	CB	Switch board							
				B	BS	BP	BSP	BFP		BSFP	
								S	L	S	L
801	135	183	365	1212	1492	-	-	2067	2067	4149	4149
802	269	367	596	1301	1581	1901	2182	2155	2155	4314	4314
803	404	551	720	1399	1435	1999	2035	2253	2253	4255	4255
804	539	734	1037	1593	2050	2194	2651	2547	2447	5154	5053
805	673	918	1144	2017	2577	2617	3179	2972	2871	6095	5995
806	808	1101	1368	2125	2776	2725	3376	3570	2979	6880	6289
901	135	183	376	1214	1496	-	-	2069	2069	4152	4152
902	269	367	579	1305	1585	1906	2186	2159	2159	4319	4319
903	404	551	720	1405	1442	2005	2042	2259	2259	4261	4261
904	539	734	1037	1601	2058	2201	2658	2555	2456	5161	5061
905	673	918	1296	2028	2588	2629	3189	2982	2882	6106	6006

The price option is intended for single unit.

For all these option the equipment is cabled to the electric motors terminal box.

Noise Level: T, S, L, Q, R

SW: Local safety switch

BP: Basic switch board + fan step control press.

EMC: Local safety switch EMC

BSP: Basic switch board + signal + fan step control press.

CB: Terminal box

BFP: Basic switch board + fan speed control press. C option included

B: Basic switch board

BSFP: Basic switch board + signal + fan speed control press. C option included

BS: Basic switch board + signal

Model	Price		
	BI		
	S	L	Q
801			
802	3466	3333	2706
803	4608	3631	3498
804	5057	3822	3688
805	5738	5244	4266
806	7454	5422	4444
901			
902	3471	3471	2710
903	4615	3638	2877
904	5065	4808	3697
905	5512	5255	4278

The price option is intended for single unit.

BI Inverter equipment + switchboard by Ziehl-Abegg with integrated Sinus Filter (shielded cable not required).
Operating temperature range: -20/+55°C (the equipment have to be always powered).

Switchboard Options	
Option to be added to the switch board.	All models
R Anti-condensate resistor 230Vac (Max operating temperature -25°C)	280
C Cooling fan 230Vac (max. operating temperature + 50°C)	328
F Cooling fan + Anti-condensate resistor (operating temperature -25 + 50°C)	511



Air heat exchangers – Alfa-V single fan row: Accessories and options

EC technology fans	Model	Price		
		EC fan not wiring		
		S	L	Q
380-460V/3/50-60Hz Extra price for each fan	Ø 800	726	1353	572
	Ø 910	741	7420	523

Always specify type unit programming required
NEP: No extra price, NA = Not Available

EC Electrical options				
Model	Price			
	EC CB	EC CB1	BEC	BEC1
801	426	559	1307	1441
802	504	638	1413	1546
803	582	715	1523	1656
804	756	890	1636	1769
805	834	968	1739	1873
806	913	1045	1886	2019
901	426	559	1307	1441
902	504	638	1413	1546
903	582	715	1523	1656
904	756	890	1636	1769
905	834	968	1739	1873

For all these option the equipment is cabled to the electric motors terminal box.

Noise Level: T, S, L, Q, R

EC CB: Parallel connection box 0-10V signal

BEC: Parallel switchboard 0-10V signal

EC CB1: Master/slave connection box with pressure signal

BEC1: Master/slave switchboard with pressure signal

Air heat exchangers – Fincoil Solar Max

Fincoil Solar Max Prices

Fan 914 mm	Aluminium fin	Epoxy painted casing	Fan 1240 mm	Aluminium fin			Extra price		
		RAL 7040 (light gray)		350/470 rpm	560/720 rpm	950 rpm	Epoxy coated fins	Copper fins	Spray water (D)
Size	All rpm's	Visible parts	Size				2.3 mm	2.3 mm	
1-4	24396	1557	1-2	24741	25600	25877	2559	*	468
2-4	27168	1557	2-2	27399	28175	28419	3249	*	468
3-4	32326	1557	3-2	32931	33532	33708	4695	*	468
4-6	31835	1902	4-3	32459	33895	34367	3627	*	746
5-6	35226	1902	5-3	36166	37485	37912	4695	*	746
6-6	42335	1902	6-3	43305	44398	44738	6819	*	746
7-8	39912	2336	7-4	40901	42891	43550	4672	*	957
8-8	44130	2336	8-4	45269	47121	47726	6107	*	957
9-8	53197	2336	9-4	54430	55993	56486	8943	*	957
10-10	47510	2781	10-5	48659	51223	52077	5773	*	1157
11-10	52636	2781	11-5	53954	56351	57140	7531	*	1157
12-10	63477	2781	12-5	65151	67196	67847	11091	*	1157
13-12	55279	3203	13-6	56614	59748	60794	6819	*	1358
14-12	61300	3203	14-6	62832	65770	66740	8943	*	1358
15-12	73980	3203	15-6	75930	78454	79264	13226	*	1358

(*): On request

Subject to changes without prior notice.

Accessories and options

Step control (SC)		
Fan speed	FLC (Full load current)	
	Ø914 mm	Ø1240 mm
350 rpm	1.4A	6.2A
470 rpm	2.5A	7.5A
560 rpm	2.8A	11A
720 rpm	4.3A	17A
950 rpm	7.0A	27A

Step control (SC)			
Rows x Number of fans	Number of steps	Pr	EC
Current / fan: until 6.9A			
1 x 2	2	3026	1291
1 x 3	3	4083	1680
1 x 4	4	4450	2069
1 x 5	5	5884	2447
1 x 6	6	6985	2992
1 x 7	7	7331	3460
2 x 2	2	3972	2047
2 x 3	3	5195	2925
2 x 4	4	6385	3760
2 x 5	5	8366	4828
2 x 6	6	9043	5539
2 x 7	7	9634	5963
Current / fan: 7.0A - 9.9A			
1 x 2	2	3115	1358
1 x 3	3	4216	1769
1 x 4	4	4639	2213
1 x 5	5	6107	2637
1 x 6	6	7309	3215
1 x 7	7	7653	3727
2 x 2	2	4149	2158
2 x 3	3	5395	3092
2 x 4	4	6619	3972
2 x 5	5	8699	5117
2 x 6	6	9333	5863
2 x 7	7	10201	6363
Current / fan: 10A-16A			
1 x 2	2	3270	1358
1 x 3	3	4450	1769
1 x 4	4	4872	2213
1 x 5	5	6429	2637
1 x 6	6	7653	3215
1 x 7	7	7309	3727
Current / fan: 17A-27A			
1 x 2	2	3615	1980
1 x 3	3	4584	2547
1 x 4	4	5406	3370
1 x 5	5	7142	4060
1 x 6	6	8187	4928
1 x 7	7	9388	6218
SC-Pr =	Pressure control for condensers		
SC-EC =	External control.		

Subject to changes without prior notice.

Air heat exchangers – Fincoil Solar Max

Frequency converter (SCV)											
Fan 914 mm	3/400V 50Hz	350 rpm		470 rpm		560 rpm		720 rpm		950 rpm	
Size	Fan	SVC	BPA	SVC	BPA	SVC	BPA	SVC	BPA	SVC	BPA
1-4	2x2	4505	489	4483	489	4716	489	5184	501	5752	634
2-4	2x2	4505	489	4483	489	4716	489	5184	501	5752	634
3-4	2x2	4505	489	4483	489	4716	489	5184	501	5752	634
4-6	2x3	4950	489	5629	501	5740	534	6096	534	7531	712
5-6	2x3	4950	489	5629	501	5740	534	6096	534	7531	712
6-6	2x3	4950	489	5629	501	5740	534	6096	534	7531	712
7-8	2x4	5662	489	6574	534	6574	534	7164	623	8143	857
8-8	2x4	5662	489	6574	534	6574	534	7164	623	8143	857
9-8	2x4	5662	489	6574	534	6574	534	7164	623	8143	857
10-10	2x5	6663	512	7164	534	7353	634	8232	634	9222	913
11-10	2x5	6663	512	7164	534	7353	634	8232	634	9222	913
12-10	2x5	6663	512	7164	534	7353	634	8232	634	9222	913
13-12	2x6	7164	501	8021	634	7998	667	9555	857	11546	1179
14-12	2x6	7164	501	8021	634	7998	667	9555	857	11546	1179
15-12	2x6	7164	501	8021	634	7998	667	9555	857	11546	1179

Fan 1240 mm	3/400V 50Hz	350 rpm		470 rpm		560 rpm		720 rpm		950 rpm	
Size	Fan	SVC	BPA	SVC	BPA	SVC	BPA	SVC	BPA	SVC	BPA
1-2	1x2	4294	489	4594	501	4795	534	5317	634	6774	734
2-2	1x2	4294	489	4594	501	4795	534	5317	634	6774	734
3-2	1x2	4294	489	4594	501	4795	534	5317	634	6774	734
4-2	1x3	4962	489	5061	534	5518	634	6519	734	7375	1557
5-3	1x3	4962	489	5061	534	5518	634	6519	734	7375	1557
6-3	1x3	4962	489	5061	534	5518	634	6519	734	7375	1557
7-4	1x4	5206	501	5762	634	6218	712	7164	913	9734	1824
8-4	1x4	5206	501	5762	634	6218	712	7164	913	9734	1824
9-4	1x4	5206	501	5762	634	6218	712	7164	913	9734	1824
10-5	1x5	5907	534	5984	712	7353	857	8699	913	12092	2213
11-5	1x5	5907	534	5984	712	7353	857	8699	913	12092	2213
12-5	1x5	5907	534	5984	712	7353	857	8699	913	12092	2213
13-6	1x6	6596	534	6730	857	7787	857	10656	1557	14049	2625
14-6	1x6	6596	534	6730	857	7787	857	10656	1557	14049	2625
15-6	1x6	6596	534	6730	857	7787	857	10656	1557	14049	2625

BPA = Automatic by-pass

Extra price		
Pressure transmitter (4-20mA)	990	/ pc
Pressure transmitter (1-5V) 2 condensation circuit	301	/ pc
Thermal contact protection (THC)	111	/ Fan
Safety isolating switch for each fan (Q)	111	/ Fan

Subject to changes without prior notice.



Fincoil Solar ZA, ZZ
Prices

Solar-ZA Condenser								
Fan 914 mm	Aluminium fin			D	Fan 1240 mm	Aluminium fin		
	Fin spacing					Fin spacing		
Size	2.5 mm	3.0 mm	4.0 mm		Size	2.5 mm	3.0 mm	4.0 mm
1-2	10824	10724	10724	267				
2-2	11947	11814	11814	267				
3-3	14116	13961	13961	356				
4-3	15607	15396	15396	356				
5-4	17999	17787	17787	468				
6-4	19945	19667	19667	468				
7-5	22749	22493	22493	568				
8-5	25029	24673	24673	568				
9-6	26508	26197	26197	700	9-3	28355	28044	28044
10-6	29690	29289	29289	700	10-3	31548	31136	31136
11-8	33350	32938	32938	968	11-4	35819	35408	35408
12-8	37343	36798	36798	968	12-4	39813	39257	39257

D: Spray water system

Solar-ZZ Condenser						
Fan 914 mm	Fin spacing		D	Fan 1240 mm	Fin spacing	
	3.1 mm	4.5 mm			3.1 mm	4.5 mm
Size	3.1 mm	4.5 mm		Size	3.1 mm	4.5 mm
1-2	16419	14261	267			
2-2	18955	16341	267			
3-3	22671	19500	356			
4-3	26353	22504	356			
5-4	29757	25574	468			
6-4	34318	29178	468			
7-5	36220	30702	568			
8-5	41615	35096	568			
9-6	42761	36887	700	9-3	44618	38745
10-6	50069	42149	700	10-3	51916	43995
11-8	56944	48968	968	11-4	59413	51437
12-8	66944	56232	968	12-4	69414	58701

D: Spray water system

Alfa Laval Air Cooled Liquid Coolers

Technical specifications

Product range	Setup			Fan rows	Capacity range* kW	Noise Level range dB(A)	Selection tools		Product leaflet
	Flat	Vert.	V-Type				Alfa Select	Fincoil Select	Litcode
Commercial ranges									
AlfaBlue Junior DG	X	X		1	5,6-198	18-51	X		ERC00259
Alfa-V Single row VDM			X	1	20-450	20-64			ERC00296
Industrial ranges									
AlfaBlue BDM	X	X		1	7-490	20-63	X		ERC00032
AlfaBlue BDD/BDD6	X	X		2	40-1088	25-66	X		ERC00032
AlfaBlue BDMY	X	X		1	50-600	20-63	X		ERC00032
AlfaBlue BDDY	X	X		2	100-1100	25-66	X		ERC00032
Alfa-V VDD/VDD6			X	2	19-1188	25-68	X		ERC00276
Alfa-V VDDY			X	2	100-1200	25-68	X		ERC00276
AlfaSolar SD	X	X		1-2	37-1651	33-78	X		ERC00331
Fincoil Solar Max G			X	1-2	146-1638	39-77		X	ERC00139
Fincoil Solar ZZ-G	X			1-2	60-830	37-70		X	ERC00140
AlfaBlue Reverse BRC	X			1	6-329	36-65	X		ERC00271
AlfaBlue Reverse BRM	X			1	8-403	36-65	X		ERC00271
AlfaBlue Reverse BRD/BRD6	X			2	17-943	41-68	X		ERC00271
Oil Cooler Compact BOC/BOAC	X	X		1	50-600		X		ERC00323
Oil Cooler Medium BOM/BOAM	X	X		1	50-600		X		ERC00323
Oil Cooler Large BOL/BOAL	X	X		1	50-600		X		ERC00323

Water, ENV1048

AlfaBlue Junior DG



Alfa-V Single Row VDM



Alfa-V VDD/VDD6



AlfaBlue BDM



AlfaBlue BDD/BDD6



AlfaBlue Reverse



AlfaSolar



Fincoil Solar Max G



Fincoil Solar ZA/ZZ



Oil Cooler





AlfaBlue Junior Dry Coolers - Single fan row

Prices

The model is ready to be delivered: completely assembled, in vertical position, on a pallet or crate, protected by a plastic film, ex-works factory. The Dry Cooler includes: the coil, manifolds with threaded connections, fan motors, caseworks. This version is ready to be installed in vertical position (air flow is horizontal) or in horizontal adding the support kit feet (see the ACCESSORIES page). Wiring has to be done by customer cabling all fans; this can be avoided adding the electrical components (see the ACCESSORIES page).

Coil options

- OIL: Version available as oil cooler with PS = 27 bar.
- EP: Epoxy coated aluminium fins.
- F-C: F-coat treatment
- SWR: Sea water resistant,(Industrial or sea coast applications).
- IF: Industrial fin
- BY: Blygold treatment
- CU: Copper fin

Model	Series				Coil options Extra price EUR						
	S	L	Q	R **	OIL	EP	F-C	SWR	IF	BY	CU
Ø 500 (400V/3Ph - 50 Hz) - ERP 2015											
DG_501A	1114	1114	1114		95	116	172	62	36	228	443
DG_501B	1278	1278	1278		105	131	220	72	41	305	618
DG_501C	1431	1431	1431		115	144	270	81	46	382	795
DG_502A	1826	1826	1826		190	233	343	125	71	455	886
DG_502B	2203	2203	2203		209	263	442	144	82	611	1238
DG_502C	2463	2463	2463		231	290	540	163	94	765	1589
DG_503A	2696	2696	2696		283	349	515	186	107	683	1329
DG_503B	3211	3211	3211		314	394	662	217	124	916	1857
DG_503C	3625	3625	3625		346	435	810	244	140	1147	2385
DG_504B	4276	4276	4276		418	526	883	289	165	1221	2475
DG_504C	4713	4713	4713		460	580	1080	324	186	1531	3181
Ø 630 (400V/3Ph - 50 Hz) - ERP 2015											
DG_631A	1790	1790	1790	1790	108	137	210	94	54	288	546
DG_631B	2073	2073	2073	2073	124	159	278	107	61	396	637
DG_631C	2332	2332	2332		137	178	347	117	68	503	711
DG_632A	2734	2734	2734	2734	214	273	419	186	107	576	1091
DG_632B	3171	3171	3171	3171	247	318	556	213	123	791	1273
DG_632C	3528	3528	3528		274	355	693	236	136	1006	1421
DG_633A	4069	4069	4069	4069	322	409	629	280	161	864	1638
DG_633B	4740	4740	4740	4740	372	477	834	320	183	1187	1910
DG_633C	5258	5258	5258		411	533	1040	353	204	1509	2131
DG_634A	5334	5334	5334	5334	431	546	839	374	213	1152	2183
DG_634B	6251	6251	6251	6251	495	637	1112	427	245	1582	2546
DG_634C	6968	6968	6968		547	711	1386	472	272	2012	2842
DG_635A	7295	7295	7295	7295	539	682	1049	468	267	1440	2728
DG_635B	8166	8166	8166	8166	618	795	1391	534	306	1978	3183
DG_635C	8759	8759	8759		683	889	1733	589	339	2514	3554
DG_636A	9054	9054	9054	9054	645	819	1259	560	320	1727	3273
DG_636B	10115	10115	10115	10115	742	955	1670	641	367	2373	3819
DG_636C	11094	11094	11094		820	1066	2080	708	407	3018	4264

**) Available "Y" fan motor connection



Accessories and options

Axial fan motor				
Model		Price		
		S	L	Q
Ø 500	230V/1ph/50Hz	NEP	NEP	NEP
	230V/1ph/60Hz	NEP	NEP	NEP
	400V/3ph/50Hz	NEP	NEP	NEP
	400V/3ph/60Hz	53	NEP	NEP
Ø 630	400V/3ph/50Hz	NEP	NEP	NEP
	400V/3ph/60Hz	220	NEP	NEP

NEP: no extra price

Model	AC Electrical options								
	SW	EMC	CB	FT (230V/1ph)			FT (400V/3ph)		
				S	L	Q	S	L	Q
501	135	183	371	460	460	460	1112	1112	1112
502	270	367	371	488	501	501	1169	1169	1169
503	404	551	425	542	542	542	1231	1231	1231
504	540	734	537	975	582	582	1299	1299	1299
631	135	183	371				1149	1149	1149
632	269	367	371				1205	1205	1205
633	404	551	425				1267	1267	1267
634	539	734	537				1328	1328	1328
635	673	918	629				1515	1403	1403
636	808	1101	856				1583	1471	1471

SW: Local safety switch

EMC: Local safety switch EMC

CB: Terminal box

B: Basic switch board

BFT: Basic switch board + fan speed control press.

FT: Fan speed control

EC technology fans		Price
		EC fan not wiring
Ø 500	380-460V/3/50-60Hz	640
Ø 630	380-460V/3/50-60Hz	766

Always specify type unit programming required

Extra price for each fan.

EC Electrical options	
Model	Price
	EC CB
501	150
502	301
503	450
504	600
631	156
632	311
633	468
634	623
635	779
636	934

The price option is intended for single unit.

EC CB: EC Terminal box



Air heat exchangers – AlfaBlue Junior Dry Coolers - Single fan row

Support kit options					
Model	Cover Galvanized steel	Feet			Vibration dampers
		Article no.	H	Price	Price
501	79	10999364	420 mm	140	166
502	79	10999364	420 mm	140	166
503	79	10999364	420 mm	140	166
504	79	10999365	420 mm	197	405
631	108	10999461	500 mm	121	166
632	108	10999461	500 mm	121	166
633	108	10999461	500 mm	121	166
634	108	10999462	500 mm	180	405
635	108	10999463	500 mm	240	541
636	108	10999463	500 mm	240	541

The price option is intended for single unit.

Flanges AL/SS			
These loose flanges are connected to the manifold. Price for couple of connections:	Connection	Article no.	Price
DN15	1/2" - 1/2"	10999641	79
DN20	3/4" - 3/4"	10999642	92
DN25	1" - 1"	10999643	107
DN32	1"1/4 - 1"1/4	10999644	117
DN40	1"1/2 - 1"1/2	10999645	134
DN50	2"1/2 - 2"1/2	10999646	157
DN65	2" - 2"	10999647	179
DN80	3" - 3"	10999648	214
DN100	4" - 4"	10999649	334

Air heat exchangers – AlfaBlue Dry coolers - Single fan row

AlfaBlue Dry coolers - Single fan row

Prices

T, S, L, Q, R Standard Noise Level Fan Motor: 400V/3Ph - 50Hz for diameter 800, 910 and 1000 mm.

V: Basic Unit Vertical Transport. The model is delivered: completely assembled, in vertical position (air flow is horizontal), on a pallet, protected by a plastic film, ex-works Alonte (Vicenza Italy).

The AlfaBlue includes: the coil, manifolds, fan motors, caseworks. Wiring has to be done by customer cabling all fans; this can be avoided adding the electrical components (see the ACCESSORIES page).

H: Basic Unit Horizontal Transport. This version is ready to be installed in horizontal position (air flow is vertical) with the support feet mounted (H = 500 mm). Wiring has to be done by customer cabling all fans; this can be avoided adding the electrical components (see the ACCESSORIES page).

Coil options

- BDMY: BDM with SS tubes.
- EP: Epoxy coated aluminium fans.
- F-C: F-coat treatment
- OIL: version available as oil cooler with PS = 30 bar.
- SWR: Sea water resistant
- IF: Industrial fan
- BY: Blygold treatment
- CU: Copper fan

Series	T		S		L		Q		R**		Coil options Extra price EUR							
	V	H	V	H	V	H	V	H	V	H	BDMY	OIL	EP	F-C	SWR	IF	BY	CU
Ø 630 (400V/3Ph - 50 Hz) - ERP 2015																		
BDM_631A	-	-	3334	3977	3097	3740	3076	3718	3722	4366	927	152	226	347	193	97	503	1577
BDM_631B	-	-	3692	4334	3455	4097	3432	4075	4079	4722	1648	169	249	484	211	106	717	1741
BDM_631C	-	-	4322	4965	4084	4728	4062	4704	4709	5351	2248	186	274	620	237	119	931	1916
BDM_631D	-	-	4494	5138	4257	4900	4234	4878	4880	5524	2891	210	307	756	254	127	1145	2150
BDM_632A	-	-	4883	5482	4408	5008	4365	4965	5659	6258	1030	306	450	695	386	193	1006	3155
BDM_632B	-	-	5375	5973	4901	5500	4856	5458	6150	6751	1700	339	497	967	423	211	1434	3481
BDM_632C	-	-	5855	6453	5380	5980	5336	5935	6629	7228	2266	374	547	1240	475	237	1862	3832
BDM_632D	-	-	6522	7120	6048	6648	6005	6603	7298	7896	2781	421	614	1512	509	254	2291	4299
BDM_633A	-	-	7095	7646	6384	6935	6320	6869	8260	8809	1523	458	677	1042	579	289	1509	4732
BDM_633B	-	-	7799	8350	7087	7640	7024	7574	8963	9514	1957	509	747	1451	636	318	2152	5223
BDM_633C	-	-	8562	9112	7854	8403	7787	8338	9726	10277	2472	560	821	1860	712	356	2793	5746
BDM_633D	-	-	8796	9344	8083	8633	8018	8570	9960	10509	2884	631	921	2268	763	381	3436	6449
BDM_634A	-	-	9342	10255	8396	9308	8308	9221	10894	11807	1601	611	901	1389	770	386	2013	6309
BDM_634B	-	-	10177	11090	9231	10141	9143	10054	11730	12642	2060	679	995	1934	848	423	2869	6964
BDM_634C	-	-	11248	12159	10301	11214	10213	11126	12799	13711	2678	749	1095	2479	950	475	3726	7662
BDM_634D	-	-	12636	13546	11688	12599	11600	12512	14186	15100	3296	843	1228	3024	1018	509	4581	8597
630 Long (400V/3Ph - 50 Hz) - ERP 2015																		
BDM_631AL	-	-	3804	4439	3567	4201	3545	4181	4192	4827	1174	152	226	424	193	97	624	1577
BDM_631BL	-	-	4197	4833	3959	4596	3940	4573	4586	5220	1951	169	249	598	211	106	898	1741
BDM_631CL	-	-	4579	5215	4342	4978	4322	4957	4968	5604	2524	186	274	774	237	119	1172	1916
BDM_631DL	-	-	5114	5749	4877	5514	4854	5490	5500	6137	3090	210	307	948	254	127	1447	2150
BDM_632AL	-	-	5602	6181	5129	5708	5085	5664	6379	6957	1133	306	450	849	386	193	1247	3155
BDM_632BL	-	-	6167	6744	5693	6270	5650	6226	6942	7520	1854	339	497	1198	423	211	1796	3481
BDM_632CL	-	-	6778	7355	6306	6882	6261	6838	7554	8131	2472	374	547	1547	475	237	2344	3832
BDM_632DL	-	-	7557	8135	7083	7661	7040	7618	8334	8911	3090	421	614	1896	509	254	2893	4299
BDM_633AL	-	-	7434	7972	6722	7262	6657	7196	8596	9136	2034	458	677	1273	579	289	1872	4732
BDM_633BL	-	-	8099	8637	7388	7928	7322	7862	9262	9801	2563	509	747	1796	636	318	2694	5223
BDM_633CL	-	-	8956	9496	8247	8785	8180	8720	10120	10659	2944	560	821	2320	712	356	3517	5746
BDM_633DL	-	-	10132	10671	9421	9961	9358	9896	11297	11836	3512	631	921	2844	763	381	4340	6449

**) EC fan motors only

T, S, L, Q, R Standard noise level fan motor.

V: basic unit vertical transport.

H: basic unit horizontal transport.

Coil options

- DBMY: BDM with SS tubes.
- EP: Epoxy coated aluminium f ns.
- F-C: F-coat treatment
- OIL: version available as oil cooler with PS = 30 bar.
- SWR: Sea water resistant
- IF: Industrial f n
- BY: Blygold treatment
- CU: Copper f n

Series	T		S		L		Q		R**		Coil options Extra price EUR								
	Position	V	H	V	H	V	H	V	H	V	H	DBMY	OIL	EP	F-C	SWR	IF	BY	CU
Ø 800 (400V/3Ph - 50 Hz) - ERP 2015																			
BDM_801A	-	-	4351	4969	4284	4901	4263	4879	4883	5499	1442	217	311	607	268	134	903	2184	
BDM_801B	-	-	4808	5424	4742	5357	4718	5336	5340	5955	2112	242	345	866	301	150	1311	2416	
BDM_801C	-	-	5279	5895	5212	5828	5190	5806	5811	6426	2799	284	405	1126	331	165	1720	2836	
BDM_801D	-	-	5861	6476	5795	6410	5771	6388	6393	7008	3245	317	455	1385	368	183	2128	3185	
BDM_802A	-	-	7304	7865	7170	7732	7127	7688	8368	8928	1339	434	624	1213	535	268	1808	4368	
BDM_802B	-	-	8023	8585	7889	8452	7846	8409	9087	9649	1957	484	691	1732	600	301	2623	4831	
BDM_802C	-	-	8825	9385	8690	9254	8648	9208	9888	10450	2678	569	810	2253	661	331	3439	5671	
BDM_802D	-	-	9882	10443	9748	10310	9704	10266	10946	11507	3524	636	909	2772	736	368	4255	6371	
BDM_803A	-	-	10335	10810	10134	10610	10067	10545	11930	12405	2987	651	935	1821	803	402	2711	6552	
BDM_803B	-	-	11985	12461	11784	12259	11718	12195	13582	14056	3486	726	1035	2600	901	450	3935	7247	
BDM_803C	-	-	13128	13604	12930	13404	12863	13340	14725	15201	3850	853	1214	3378	990	495	5159	8508	
BDM_803D	-	-	14257	14732	14057	14533	13993	14467	15854	16329	4170	952	1365	4157	1103	552	6383	9555	
BDM_804A	-	-	13551	14352	13283	14084	13196	13998	15679	16480	3605	868	1247	2428	1071	535	3614	8736	
BDM_804B	-	-	15668	16471	15403	16204	15315	16116	17797	18599	4354	969	1380	3466	1201	600	5246	9663	
BDM_804C	-	-	16850	17652	16584	17384	16496	17298	18980	19780	4692	1138	1619	4505	1320	661	6878	11343	
BDM_804D	-	-	19030	19833	18766	19568	18677	19479	21160	21961	5150	1270	1820	5543	1472	736	8510	12740	
BDM_805A	-	-	17077	17510	16746	17176	16636	17067	19117	20169	4223	1086	1559	3034	1339	670	4518	10920	
BDM_805B	-	-	18756	19869	18424	19535	18315	19425	21418	22529	5221	1210	1725	4332	1502	751	6558	12079	
BDM_805C	-	-	21185	22296	20852	21963	20743	21855	23846	24958	5533	1421	2025	5631	1651	825	8598	14179	
BDM_805D	-	-	23930	25039	23595	24707	23486	24597	26589	27701	6130	1587	2275	6929	1840	920	10638	15926	
Ø 910 (400V/3Ph - 50 Hz) - ERP 2015																			
BDM_901A	-	-	4762	5367	4736	5343	4741	5347	5356	5963	1649	217	311	732	268	134	1088	2184	
BDM_901B	-	-	5191	5797	5166	5772	5170	5776	5786	6392	2308	242	345	1043	301	150	1577	2416	
BDM_901C	-	-	5969	6574	5944	6550	5947	6554	6562	7169	3090	284	405	1354	331	165	2066	2836	
BDM_901D	-	-	6320	6925	6295	6902	6298	6905	6915	7520	3551	317	455	1667	368	183	2555	3185	
BDM_902A	-	-	8374	8896	8324	8847	8333	8854	9564	10086	1669	434	624	1465	535	268	2176	4368	
BDM_902B	-	-	9266	9786	9217	9740	9225	9747	10456	10977	2172	484	691	2087	600	301	3155	4831	
BDM_902C	-	-	10297	10820	10249	10772	10258	10779	11488	12010	2989	569	810	2710	661	331	4133	5671	
BDM_902D	-	-	11662	12184	11612	12134	11621	12144	12852	13375	3842	636	909	3332	736	368	5112	6371	
BDM_903A	-	-	11534	11975	11460	11902	11472	11914	13319	13760	3193	651	935	2197	803	402	3264	6552	
BDM_903B	-	-	12759	13202	12687	13126	12697	13137	14544	14983	3708	726	1035	3130	901	450	4732	7247	
BDM_903C	-	-	14201	14642	14127	14567	14138	14580	15984	16426	4069	853	1214	4064	990	495	6200	8508	
BDM_903D	-	-	16693	17132	16617	17059	16629	17071	18475	18918	4378	952	1365	4999	1103	552	7667	9555	
BDM_904A	-	-	15399	16153	15301	16057	15315	16073	17777	18534	4017	868	1247	2929	1071	535	4352	8736	
BDM_904B	-	-	17032	17788	16934	17690	16950	17705	19411	20168	4635	969	1380	4174	1201	600	6309	9663	
BDM_904C	-	-	19108	19863	19010	19766	19024	19782	21486	22243	4944	1138	1619	5420	1320	661	8266	11343	
BDM_904D	-	-	20947	21703	20851	21605	20866	21623	23327	24084	5459	1270	1820	6665	1472	736	10223	12740	

**) EC fan motors only

Series	T		S		L		Q		R		Coil options Extra price EUR								
	Position	V	H	V	H	V	H	V	H	V	H	DBMY	OIL	EP	F-C	SWR	IF	BY	CU
Ø 1000 (400V/3Ph - 50 Hz) - ERP 2015																			
BDM_1001A	5459	6066	5459	6066	5403	6010	4958	5566	4923	5528	1649	217	311	732	268	134	1088	2184	
BDM_1001B	5889	6495	5889	6495	5833	6440	5389	5995	5354	5960	2308	242	345	1043	301	150	1577	2416	
BDM_1001C	6666	7272	6666	7272	6611	7216	6166	6772	6130	6735	3090	284	405	1354	331	165	2066	2836	
BDM_1001D	7017	7623	7017	7623	6962	7567	6517	7125	6483	7088	3551	317	455	1667	368	183	2555	3185	
BDM_1002A	9767	10291	9767	10291	9656	10179	8766	9290	8696	9217	1669	434	624	1465	535	268	2176	4368	
BDM_1002B	10658	11181	10658	11181	10547	11069	9658	10182	9586	10108	2172	484	691	2087	600	301	3155	4831	
BDM_1002C	11692	12214	11692	12214	11580	12103	10691	11214	10619	11142	2989	569	810	2710	661	331	4133	5671	
BDM_1002D	13055	13578	13055	13578	12944	13467	12055	12578	11984	12506	3842	636	909	3332	736	368	5112	6371	
BDM_1003A	13649	14089	13649	14089	13482	13923	12148	12589	12041	12482	3193	651	935	2197	803	402	3264	6552	
BDM_1003B	14873	15315	14873	15315	14706	15148	13371	13814	13266	13706	3708	726	1035	3130	901	450	4732	7247	
BDM_1003C	16315	16756	16315	16756	16148	16589	14814	15255	14706	15147	4069	853	1214	4064	990	495	6200	8508	
BDM_1003D	18807	19248	18807	19248	18640	19081	17306	17746	17198	17641	4378	952	1365	4999	1103	552	7667	9555	
BDM_1004A	18185	18940	18185	18940	17962	18717	16182	16940	16040	16797	4017	868	1247	2929	1071	535	4352	8736	
BDM_1004B	19817	20574	19817	20574	19595	20352	17816	18573	17674	18430	4635	969	1380	4174	1201	600	6309	9663	
BDM_1004C	21893	22649	21893	22649	21670	22426	19891	20649	19749	20506	4944	1138	1619	5420	1320	661	8266	11343	
BDM_1004D	23733	24489	23733	24489	23511	24267	21733	22488	21589	22346	5459	1270	1820	6665	1472	736	10223	12740	

Air heat exchangers – AlfaBlue Dry coolers

Accessories and options

Accessories and options

Axial fan motor				
Model		Price		
		S	L	Q
Fan motor 400V/3ph-60 Hz, IP54, 460V/3ph-60 Hz, IP54, Extra price for each fan.	Ø 630	180	36	57
	Ø 800	484	NEP	NEP
	Ø 910	231	320	224
	Ø 1000	NEP	-	NEP
NEP: No extra price				
Explosion-proof fan motor				
On request				

AC Electrical options													
Model	Price												
	SW	EMC	CB	Switch board									
				B	BS	BT	BST	BFT			BSFT		
BDM													
								T	S	L	T	S	L
631	135	183	295	2259	2552	2920	3175	-	3560	3560	-	3815	3815
632	270	367	370	2259	2552	2920	3175	-	3787	3787	-	4045	4045
633	404	552	722	2470	3129	3091	3423	-	4023	4023	-	4317	4317
634	540	735	1011	3367	3771	3990	4395	-	3565	4922	-	3859	5216
631L	135	183	295	2259	2552	2920	3175	-	3560	3560	-	3815	3815
632L	270	367	370	2259	2552	2920	3175	-	3787	3787	-	4045	4045
633L	404	552	722	2470	3129	3091	3423	-	4023	4023	-	4317	4317
801	135	183	365	2032	2289	2688	2908	-	3565	3565	-	3785	3785
802	270	367	596	2264	2556	2920	3175	-	3814	3814	-	4072	4072
803	404	552	720	2478	3139	3093	3424	-	4102	4065	-	4396	4361
804	540	735	1037	3387	3788	3992	4397	-	5020	4986	-	5315	5279
805	674	919	1144	3640	4116	4225	4667	-	5521	5298	-	5852	5630
901	135	183	376	2032	2289	2692	2911	-	3573	3573	-	3793	3793
902	270	367	579	2264	2556	2923	3182	-	3824	3824	-	4080	4080
903	404	552	720	2478	3139	3102	3433	-	4129	4091	-	4422	4385
904	540	735	1037	3387	3788	4009	4411	-	5058	5020	-	5351	5315
1001	135	183	376	2032	2289	2692	2911	3573	3573	3573	3793	3793	3793
1002	270	367	579	2264	2556	2923	3182	3860	3824	3824	4116	4080	4080
1003	404	552	720	2478	3139	3102	3433	4717	4129	4129	5010	4422	4422
1004	540	735	1037	3387	3788	4009	4411	5755	5058	5280	6048	5351	5572

The price option is intended for single unit. For all these option the equipment is cabled to the electric motors terminal box. Noise Level: T, S, L, Q, R

SW: Local safety switch

BS: Basic switch board + signal

BST: Basic switch board + signal + fan step control temp.

EMC: Local safety switch EMC

CB: Terminal box

BFT: Basic switchboard + fan speed control temp. C option included

B: Basic switch board

BT: Basic switchboard + fan step control temp.

BSFT: Basic switchboard + signal + fan speed control temp. C option included

Switch board options	
Option to be added to the switch board.	All models
R Anti-condensate resistor 230Vac (Max operating temperature -25°C)	302
C Cooling fan 230Vac (max. operating temperature + 50°C)	337
F Cooling fan + Anti-condensate resistor (operating temperature -25 + 50°C)	639



Air heat exchangers – AlfaBlue Dry coolers Accessories and options

Model	Price				
	BI				
	T	S	L	Q	R
BDM					
631	-	-	-	-	-
632	-	-	-	-	-
633	-	4645	3414	3414	-
634	-	5136	3865	3699	-
631L	-	-	-	-	-
632L	-	-	-	-	-
633L	-	4663	3433	3433	-
801	-	-	-	-	-
802	-	-	-	-	-
803	-	4460	3616	3451	-
804	-	4990	4768	3924	-
805	-	5730	5301	4459	-
901	-	-	-	-	-
902	-	-	-	-	-
903	-	4477	3634	3468	-
904	-	5020	4799	3790	-
1001	-	-	-	-	-
1002	-	-	-	-	-
1003	4906	4477	4477	3634	3468
1004	6835	5020	5020	3955	3955

BI Inverter equipment + switchboard by Ziehl-Abegg with integrated Sinus Filter (shielded cable not required). Operating temperature range: -20/+55°C (the equipment have to be always powered).

BI/BIC Options	
Option to be added to the switch board.	All models
R Anti-condensate resistor 230Vac (Max operating temperature -25°C)	302
C Cooling fan 230Vac (max. operating temperature + 50°C)	Already included

EC technology fans	Model	Price				
		EC fan not wiring				
		T	S	L	Q	R
380-460V/3/50-60Hz Extra price for each fan	Ø 630	-	726	646	646	-
	Ø 630L	-	726	646	646	-
	Ø 800	-	726	572	572	-
	Ø 910	-	742	742	523	-
	Ø 1000	317	317	317	831	831

Always specify type unit programming required
NEP: No extra price, NA = Not Available

EC Electrical options				
Model	Price			
	EC CB	EC CB2	BEC	BEC2
BDM				
631	426	504	1307	1385
632	504	582	1413	1490
633	582	659	1523	1601
634	756	834	1636	1713
631L	426	504	1307	1385
632L	504	582	1413	1490
633L	582	659	1523	1601
801	426	504	1307	1385
802	504	582	1413	1490
803	582	659	1523	1601
804	756	834	1636	1713
805	834	913	1739	1817
901	426	504	1307	1385
902	504	582	1413	1490
903	582	659	1523	1601
904	756	834	1636	1713
1001	426	504	1307	1385
1002	504	582	1413	1490
1003	582	659	1523	1601
1004	756	834	1636	1713

The price option is intended for single unit.

For all these option the equipment is cabled to the electric motors terminal box.

Noise Level: T, S, L, Q, R

EC CB: Parallel connection box 0-10V signal

BEC: Parallel switchboard 0-10V signal

EC CB2: Master/slave connection box with temperature signal

BEC2: Master/slave switchboard with temperature signal



Air heat exchangers – AlfaBlue Dry coolers Accessories and options

Support kit options							
Model	Feet						Vibration dampers
	H850 mm		H500 mm		A		
	Article no.	Price	Article no.	Price	Article no.	Price	Price
631	10999206	535	10999203	381	10999209	402	166
632	10999206	535	10999203	381	10999209	402	166
633	10999206	535	10999203	381	10999209	402	166
634	10999207	773	10999204	542	10999210	573	405
631L	10999206	535	10999203	381	10999209	402	166
632L	10999206	535	10999203	381	10999209	402	166
633L	10999206	535	10999203	381	10999209	402	166
801	10999206	535	10999203	381	10999209	402	166
802	10999206	535	10999203	381	10999209	402	166
803	10999206	535	10999203	381	10999209	402	166
804	10999207	773	10999204	542	10999210	573	405
805	10999208	1012	10999205	703	10999211	746	541
901	10999206	535	10999203	381	10999209	402	166
902	10999206	535	10999203	381	10999209	402	166
903	10999206	535	10999203	381	10999209	402	272
904	10999207	773	10999204	542	10999210	573	405
1001	10999206	535	10999203	381	10999209	402	166
1002	10999206	535	10999203	381	10999209	402	166
1003	10999206	535	10999203	381	10999209	402	272
1004	10999207	773	10999204	542	10999210	573	405

The price option is intended for single unit.

Kit of support feet:

V: Vertical position

H: Horizontal position

A: Feet adjustable from 350 to 950 mm

The vibration dampers are delivered without bolts and nuts.

NEP: No extra price

Flanges stainless steel		
These loose fanges are connected to the manifold.	Connection	Price
Price for couple of connections:		
PN16 DN32 - AISI	1"	318
PN16 DN40 - AISI	1"1/2	343
PN16 DN50 - AISI	2"	427
PN16 DN65 - AISI	2"1/2	522
PN16 DN80 - AISI	3"	607
PN16 DN100 - AISI	4"	662

Alfa Laval Air Coolers

Technical specifications

Technical specifications								
Geometry	Cooler model	Capacity kW (1)	Air volume m³/h	Coil material	Refrigerant			
					(H)CFC	NH ₃	CO ₂	Brine
Draw through unit coolers	Optigo CC	1 - 52	770 - 30000	Cu/AL	X		X	X
	Airmax II	6 - 200	8000 - 127000	Cu/AL	X		X	X
	Alfacubic	1.5 - 57	1500 - 30000	Cu/AL	X		X	X
	Arctigo ISD	3 - 230	3000 - 74000	Cu/AL - SS/Al	X	X	X	X
	Helpman THOR-A	4 - 41	-	Cu/Al	X		X	X
	Helpman THOR-Z	5 - 115	4000 - 67000	Cu/Al	X		X	X
	Helpman TYR-A	4 - 41	-	SS/Al	X	X	X	X
	Helpman TYR-Z	5 - 115	4000 - 67000	SS/Al	X	X	X	X
	Helpman ZLA	4 - 125	4000 - 63000	FeZn	X	X		X
	Helpman HRC	12 - 29	-	Cu/Al	X			X
	Fincoil Polar Cat	1.1 - 44	720 - 17420	Cu/Al	X		X	X
Fincoil AHB	1.8 - 189	2160 - 88560	FeZn	X	X	X	X	
Blow through unit coolers	Helpman LEX	1.3 - 40	1080 - 26000	Cu/Al	X			
	Helpman LFX	7 - 29	5100 - 22400	Cu/Al	X			X
	Arctigo ISB	3 - 230	3000 - 74000	Cu/AL - SS/Al	X	X	X	X
	Helpman THOR-B	5 - 115	4000 - 67000	Cu/Al	X		X	X
	Helpman THOR-F	18 - 52	13000 - 36000	Cu/Al	X		X	X
	Helpman TYR-B	5 - 115	4000 - 67000	SS/Al	X	X	X	X
	Helpman TYR-F	18 - 52	13000 - 36000	SS/Al	X	X	X	X
Low silhouette	Optigo CS	0.65 - 7. 8	517 - 4262	Cu/Al	X			
Dual discharge	Optigo CD	0.8 - 24	615 - 14160	Cu/AL	X		X	X
	Ceiling BFG/B	3.5 - 32	3800 - 18300	Cu/AL	X		X	X
	Ceiling TFG	3.5 - 32	2800 - 15300	Cu/AL	X		X	X
	Big Top IT	22 - 63	20800 - 40800	Cu/AL	X		X	X
	Helpman THOR-D	4.5 - 123	3000 - 60000	Cu/Al	X		X	X
	Helpman TYR-D	4.5 - 123	3000 - 60000	SS/Al	X	X	X	X
	Helpman HRC-D	8 - 38	-	Cu/Al	X			X
	Fincoil Polar Cat Duo	1.1 - 5.2	580 - 2950	Cu/Al	X		X	X
	Fincoil FMP	3.1 - 73	2520 - 36360	Cu/Al	X	X	X	X
Fincoil AMK	1.6 - 106	2160 - 48600	FeZn	X	X	X	X	
Blast freezer	AlfaBlast	12 - 117	13600 - 74200	Cu/AL	X		X	X
	Helpman THOR-T	11 - 114	11800 - 66400	Cu/Al	X		X	X
	Helpman TYR-T	11 - 114	11800 - 66400	SS/Al	X	X	X	X
Centrifugal	ISC II	13 - 127	-	Cu/Al	X			X
Gravity coils	Fincoil FK	0.2 - 4.5	-	Cu/Al	X		X	X

Applications													
Geometry	Cooler model	Applications			Temp. area		General packed	Agri-cultural (2)	Meat	Air-sock	Process-ing (3)	Banana ripening	
		Small	Medium	Large	Cool-ing	Freezing							
Draw through unit coolers	Optigo CC	X	X		X	X	X						
	Airmax II		X	X	X	X			X	X	X		
	Alfacubic	X	X		X	X	X						
	Arctigo ISD		X	X	X	X			X				
	Helpman THOR-A		X		X					X	X		
	Helpman THOR-Z		X	X	X	X			X				
	Helpman TYR-A		X		X					X	X		
	Helpman TYR-Z		X	X	X	X			X				
	Helpman ZLA		X	X	X	X			X				
	Helpman HRC		8 - 28 pallets										TARP
Fincoil Polar Cat	X	X		X	X	X	X	X	X	X			
Fincoil AHB		X	X	X	X	X			X	X			
Blow through unit coolers	Helpman LEX	X	X		X	X	X	X	X				
	Helpman LFX	X	X		X			X					
	Arctigo ISB		X	X	X	X		X	X				
	Helpman THOR-B		X	X	X	X		X	X				
	Helpman THOR-F		X	X	X			X					
	Helpman TYR-B		X	X	X	X		X	X				
Helpman TYR-F		X	X	X			X						
Low silhouette	Optigo CS	X	X		X	X	X						
Dual discharge	Optigo CD	X	X		X	X		X	X		X		
	Ceiling BFG/B	X	X		X	X		X	X		X		
	Ceiling TFG	X	X		X	X		X	X		X		
	Ceiling Big Top IT		X	X	X	X		X	X		X		
	Helpman THOR-D		X	X	X	X		X	X		X		
	Helpman TYR-D		X	X	X	X		X	X		X		
	Helpman HRC-D		6 - 30 pallets										AIRBAG
	Fincoil Polar Cat Duo	X			X						X		
Fincoil FMP		X	X	X	X		X	X		X			
Fincoil AMK		X	X	X	X		X	X		X			
Blast freezer	AlfaBlast			X	X	X			X				
	Helpman THOR-T			X	X	X			X				
	Helpman TYR-T			X	X	X			X				
Centrifugal	ISC II	X		X					X	X			
Gravity coils	Fincoil FK	X			X						X		

Not all applications that are theoretically possible are listed in the tables, only the most common.

1) Nominal capacities according to Eurovent SC2

2) Optimised capacity/air volume ratio

3) Low air velocity

Air heat exchangers – Air coolers - Quick selection

<p>Optigo CC CE PG</p> 	<p>Airmax II CE PG</p> 	<p>Alfacubic CE PG</p> 
<p>Arctigo IS</p> 	<p>Helpman ZLA CE PG</p> 	<p>Helpman HRC CE PG</p> 
<p>Fincoil Polar CAT (G) CE</p> 	<p>Fincoil AHB (G) CE</p> 	<p>Helpman LEX CE PG</p> 
<p>Helpman LFX CE PG</p> 	<p>Helpman THOR / TYR - F CE PG</p> 	<p>Helpman THOR / TYR - A CE PG</p> 
<p>Optigo CS CE PG</p> 	<p>Optigo CD CE PG</p> 	<p>Ceiling TFG CE PG</p> 
<p>Ceiling BFG/B CE PG</p> 	<p>Big Top CE PG</p> 	<p>Helpman THOR/TYR - D CE PG</p> 
<p>Ceiling HRC-D CE PG</p> 	<p>Fincoil Polar Cat Duo (G) CE</p> 	<p>Fincoil Polar FMP (G) CE</p> 
<p>Fincoil AMK (G) CE</p> 	<p>Alfablast CE PG</p> 	<p>Helpman THOR/TYR - T CE PG</p> 
<p>Fincoil FK (G)</p> 	<p>Helpman THOR/TYR - Z/B CE PG</p> 	

**Optigo CS
Prices**

C: Cataphoresis treatment
EP: Epoxy coated aluminium f ns.

A = Air
E = Electric

CB: Connection box

Model Direct Expansion (E)	Fan motors ERP 2015	Defrost	General description		Price			Coil options Extra price	
					direct expansion (E)	CO2 direct expansion (X)	Water/Glycol (W)	EP	C
CS_201B	230V	A	CB	AL 4.0 CU	389	585	510	5	16
CS_202B	230V	A	CB	AL 4.0 CU	545	840	754	10	32
CS_203B	230V	A	CB	AL 4.0 CU	729	1132	1035	22	55
CS_301B	230V	A	CB	AL 4.0 CU	537	763	681	30	48
CS_301C	230V	A	CB	AL 4.0 CU	603	811	717	48	79
CS_302B	230V	A	CB	AL 4.0 CU	735	1049	947	28	66
CS_302C	230V	A	CB	AL 4.0 CU	787	1133	1011	31	93
CS_303B	230V	A	CB	AL 4.0 CU	972	1373	1252	54	111
CS_303C	230V	A	CB	AL 4.0 CU	1028	1488	1339	60	153
CS_304B	230V	A	CB	AL 4.0 CU	1230	1667	1519	106	182
CS_304C	230V	A	CB	AL 4.0 CU	1292	1861	1677	115	239
CS_305B	230V	A	CB	AL 4.0 CU	1478	1976	—	159	265
CS_305C	230V	A	CB	AL 4.0 CU	1523	2203	—	169	315
CS_201B	230V	E	CB	AL 7.0 CU	389	583	508	3	9
CS_202B	230V	E	CB	AL 7.0 CU	545	832	747	7	19
CS_203B	230V	E	CB	AL 7.0 CU	722	1115	1019	10	28
CS_301B	230V	E	CB	AL 7.0 CU	515	759	677	5	15
CS_301C	230V	E	CB	AL 7.0 CU	563	800	708	6	23
CS_302B	230V	E	CB	AL 7.0 CU	724	1022	920	10	31
CS_302C	230V	E	CB	AL 7.0 CU	774	1138	1018	12	46
CS_303B	230V	E	CB	AL 7.0 CU	942	1362	1241	16	46
CS_303C	230V	E	CB	AL 7.0 CU	996	1471	1321	19	69
CS_304B	230V	E	CB	AL 7.0 CU	1156	1653	1506	22	61
CS_304C	230V	E	CB	AL 7.0 CU	1213	1841	1655	25	92
CS_305B	230V	E	CB	AL 7.0 CU	1347	1959	—	27	76
CS_305C	230V	E	CB	AL 7.0 CU	1410	2178	—	31	115

In case of inconsistency of data between this book and selection software, please refer always to the last one.

Model	Electric defrost element (4 mm)		Wall mounted installation
	Article no.	Price	Price
201	10999866	39	21
202	10999867	41	47
203	10999868	50	72
301	10999869	58	-
302	10999870	62	-
303	10999871	79	-
304	10999872	83	-
305	10999873	90	-

Air heat exchangers – Optigo CC

Optigo CC Prices

A: Air defrost
 E: Electrical defrost
 HG: Hot gas defrost in coil and drip tray
 HG+HD: Hot gas defrost on coil and electric in drip tray
 EP: Epoxy coated aluminium f ns.
 C: Cataphoresis treatment
 PC: Power coated
 SS: Cabinet all part in stainless steel

Model - ERP 2015	Fin spacing	Prices								
		Defrost					Coil options Extra price			Special casing Extra price
		A	E	HG	HG+HD		Re-heating coil	EP	CA	SS
Ø 250 (230V/1ph - 50HZ) - ERP 2015										
CCE_251A	3.3	681	804	911	753		66	42	84	607
CCE_251B	3.3	708	831	938	780		66	64	127	607
CCE_251C	3.3	753	876	983	825		-	84	169	607
CCE_252A	3.3	883	1021	1283	969		95	84	169	785
CCE_252B	3.3	986	1124	1386	1072		95	128	253	785
CCE_252C	3.3	1064	1202	1464	1150		—	169	338	785
CCE_253A	3.3	1130	1283	1560	1219		116	127	253	1045
CCE_253B	3.3	1227	1380	1657	1316		115	192	380	1045
CCE_253C	3.3	1330	1483	1760	1419		—	253	507	1045
CCE_254A	3.3	1388	1556	1818	1483		131	168	336	1327
CCE_254B	3.3	1613	1781	2043	1708		130	256	508	1327
CCE_251A	4	676	799	906	748		66	35	71	607
CCE_251B	4	703	826	933	775		65	53	106	607
CCE_251C	4	746	869	976	818		66	71	141	607
CCE_252A	4	874	1012	1274	960		94	70	142	785
CCE_252B	4	978	1116	1378	1064		95	105	212	785
CCE_252C	4	1055	1193	1455	1141		95	142	282	785
CCE_253A	4	1121	1274	1551	1210		116	105	213	1045
CCE_253B	4	1217	1370	1647	1306		115	158	318	1045
CCE_253C	4	1319	1472	1749	1408		115	213	423	1045
CCE_254A	4	1377	1545	1807	1472		112	140	284	1327
CCE_254B	4	1600	1768	2030	1695		111	212	424	1327
CCE_251A	5.5	670	793	900	742		—	27	53	607
CCE_251B	5.5	697	820	927	769		—	39	79	607
CCE_251C	5.5	740	863	970	812		—	53	105	607
CCE_252A	5.5	867	1005	1267	953		—	54	105	785
CCE_252B	5.5	969	1107	1369	1055		—	78	159	785
CCE_252C	5.5	1045	1183	1445	1131		—	105	210	785
CCE_253A	5.5	1112	1265	1542	1201		—	80	158	1045
CCE_253B	5.5	1206	1359	1636	1295		—	117	238	1045
CCE_253C	5.5	1308	1461	1738	1397		—	158	315	1045
CCE_254A	5.5	1366	1534	1796	1461		128	108	212	1327
CCE_254B	5.5	1588	1756	2018	1683		127	157	316	1327
CCE_251A	7	665	788	895	737		66	22	42	607
CCE_251B	7	691	814	921	763		66	32	64	607
CCE_251C	7	732	855	962	804		66	42	85	607
CCE_252A	7	859	997	1259	945		95	43	84	785
CCE_252B	7	961	1099	1361	1047		95	64	128	785
CCE_252C	7	1036	1174	1436	1122		94	84	171	785
CCE_253A	7	1102	1255	1532	1191		116	65	127	1045
CCE_253B	7	1196	1349	1626	1285		115	96	192	1045
CCE_253C	7	1296	1449	1726	1385		115	127	256	1045
CCE_254A	7	1355	1523	1785	1450		110	88	168	1327
CCE_254B	7	1575	1743	2005	1670		109	128	256	1327



- A: Air defrost
- E: Electrical defrost
- HG: Hot gas defrost in coil and drip tray)
- HG+HD: Hot gas defrost on coil and electric in drip tray
- EP: Epoxy coated aluminium fins.
- C: Cataphoresis treatment
- PC: Power coated
- SS: Cabinet all part in stainless steel

Model - ERP 2015	Fin spacing	Prices								
		Defrost					Coil options Extra price			Special casing Extra price
		A	E	HG	HG+HD		Re-heating coil	EP	CA	SS
Ø 350 (230V/1ph - 50HZ) - ERP 2015										
CCE_351A	3.3	814	970	1044	886		95	68	135	725
CCE_351B	3.3	932	1088	1162	1004		95	101	203	725
CCE_351C	3.3	970	1126	1200	1042		—	135	271	725
CCE_352A	3.3	1098	1278	1498	1184		157	136	270	943
CCE_352B	3.3	1356	1536	1756	1442		157	202	406	943
CCE_352C	3.3	1594	1774	1994	1680		—	270	542	943
CCE_353A	3.3	1549	1744	1979	1638		169	204	405	1256
CCE_353B	3.3	1773	1968	2203	1862		169	303	609	1256
CCE_353C	3.3	2040	2235	2470	2129		—	405	813	1256
CCE_354A	3.3	1908	2112	2338	2003		235	272	540	1569
CCE_354B	3.3	2311	2515	2741	2406		235	404	812	1569
CCE_351A	4	806	962	1036	878		94	57	113	725
CCE_351B	4	923	1079	1153	995		95	84	170	725
CCE_351C	4	961	1117	1191	1033		95	113	226	725
CCE_352A	4	1088	1268	1488	1174		157	113	227	943
CCE_352B	4	1344	1524	1744	1430		156	169	340	943
CCE_352C	4	1580	1760	1980	1666		157	227	451	943
CCE_353A	4	1535	1730	1965	1624		169	170	340	1256
CCE_353B	4	1757	1952	2187	1846		168	253	510	1256
CCE_353C	4	2022	2217	2452	2111		169	340	677	1256
CCE_354A	4	1890	2094	2320	1985		234	227	453	1569
CCE_354B	4	2291	2495	2721	2386		235	338	680	1569
CCE_351A	5.5	799	955	1029	871		—	42	84	725
CCE_351B	5.5	915	1071	1145	987		—	63	127	725
CCE_351C	5.5	952	1108	1182	1024		—	84	169	725
CCE_352A	5.5	1077	1257	1477	1163		—	84	169	943
CCE_352B	5.5	1331	1511	1731	1417		—	126	253	943
CCE_352C	5.5	1565	1745	1965	1651		—	169	338	943
CCE_353A	5.5	1521	1716	1951	1610		—	127	253	1256
CCE_353B	5.5	1741	1936	2171	1830		—	188	380	1256
CCE_353C	5.5	2003	2198	2433	2092		—	253	507	1256
CCE_354A	5.5	1874	2078	2304	1969		235	169	338	1569
CCE_354B	5.5	2269	2473	2699	2364		235	251	507	1569
CCE_351A	7	792	948	1022	864		95	34	68	725
CCE_351B	7	907	1063	1137	979		94	52	102	725
CCE_351C	7	944	1100	1174	1016		95	68	136	725
CCE_352A	7	1068	1248	1468	1154		157	68	136	943
CCE_352B	7	1319	1499	1719	1405		157	103	204	943
CCE_352C	7	1551	1731	1951	1637		156	136	272	943
CCE_353A	7	1507	1702	1937	1596		169	102	204	1256
CCE_353B	7	1725	1920	2155	1814		169	155	306	1256
CCE_353C	7	1986	2181	2416	2075		169	204	408	1256
CCE_354A	7	1856	2060	2286	1951		234	136	272	1569
CCE_354B	7	2249	2453	2679	2344		235	206	408	1569

Air heat exchangers – Optigo CC

A: Air defrost
 E: Electrical defrost
 HG: Hot gas defrost in coil and drip tray)
 HG+HD: Hot gas defrost on coil and electric in drip tray
 EP: Epoxy coated aluminium f ns.
 C: Cataphoresis treatment
 PC: Power coated
 SS: Cabinet all part in stainless steel

Model - ERP 2015	Fin spacing	Prices								
		Defrost					Coil options Extra price			Special casing Extra price
		A	E	HG	HG+HD		Re-heating coil	EP	CA	SS
Ø 400 (400V/3ph - 50HZ) - ERP 2015										
CCE_401A	3.3	1040	1406	1270	1114		124	109	216	964
CCE_401B	3.3	1268	1634	1498	1342		123	162	325	964
CCE_401C	3.3	1391	1757	1621	1465		—	216	433	964
CCE_402A	3.3	1751	2135	2151	1840		184	218	432	1377
CCE_402B	3.3	1872	2256	2272	1961		182	324	650	1377
CCE_402C	3.3	2098	2482	2498	2187		—	432	866	1377
CCE_403A	3.3	2163	2568	2593	2258		237	327	648	1762
CCE_403B	3.3	2416	2821	2846	2511		235	486	975	1762
CCE_403C	3.3	2819	3224	3249	2914		—	648	1299	1762
CCE_404A	3.3	2936	3401	3366	3039		323	436	864	2291
CCE_404B	3.3	3296	3761	3726	3399		320	648	1300	2291
CCE_404C	3.3	3502	3967	3932	3605		—	864	1732	2291
CCE_401A	4	1030	1396	1260	1104		104	91	181	964
CCE_401B	4	1255	1621	1485	1329		103	135	272	964
CCE_401C	4	1377	1743	1607	1451		102	181	361	964
CCE_402A	4	1734	2118	2134	1823		175	182	362	1377
CCE_402B	4	1853	2237	2253	1942		173	270	544	1377
CCE_402C	4	2078	2462	2478	2167		172	362	722	1377
CCE_403A	4	2142	2547	2572	2237		216	273	543	1762
CCE_403B	4	2393	2798	2823	2488		214	405	816	1762
CCE_403C	4	2792	3197	3222	2887		212	543	1083	1762
CCE_404A	4	2907	3372	3337	3010		293	364	724	2291
CCE_404B	4	3264	3729	3694	3367		291	540	1088	2291
CCE_404C	4	3468	3933	3898	3571		287	724	1444	2291
CCE_401A	5.5	1020	1386	1250	1094		—	68	135	964
CCE_401B	5.5	1243	1609	1473	1317		—	101	203	964
CCE_401C	5.5	1364	1730	1594	1438		—	135	270	964
CCE_402A	5.5	1717	2101	2117	1806		—	136	270	1377
CCE_402B	5.5	1835	2219	2235	1924		—	202	406	1377
CCE_402C	5.5	2057	2441	2457	2146		—	270	540	1377
CCE_403A	5.5	2121	2526	2551	2216		—	204	405	1762
CCE_403B	5.5	2369	2774	2799	2464		—	303	609	1762
CCE_403C	5.5	2764	3169	3194	2859		—	405	810	1762
CCE_404A	5.5	2879	3344	3309	2982		—	272	540	2291
CCE_404B	5.5	3232	3697	3662	3335		—	404	812	2291
CCE_404C	5.5	3434	3899	3864	3537		—	540	1080	2291
CCE_401A	7	1010	1376	1240	1084		101	54	109	964
CCE_401B	7	1231	1597	1461	1305		126	82	163	964
CCE_401C	7	1350	1716	1580	1424		126	109	218	964
CCE_402A	7	1700	2084	2100	1789		170	108	218	1377
CCE_402B	7	1817	2201	2217	1906		187	164	326	1377
CCE_402C	7	2037	2421	2437	2126		186	218	436	1377
CCE_403A	7	2100	2505	2530	2195		210	162	327	1762
CCE_403B	7	2346	2751	2776	2441		242	246	489	1762
CCE_403C	7	2737	3142	3167	2832		239	327	654	1762
CCE_404A	7	2850	3315	3280	2953		285	216	436	2291
CCE_404B	7	3200	3665	3630	3303		330	328	652	2291
CCE_404C	7	3400	3865	3830	3503		326	436	872	2291



- A: Air defrost
- E: Electrical defrost
- HG: Hot gas defrost in coil and drip tray)
- HG+HD: Hot gas defrost on coil and electric in drip tray
- EP: Epoxy coated aluminium fins.
- C: Cataphoresis treatment
- PC: Power coated
- SS: Cabinet all part in stainless steel

Model - ERP 2015	Fin spacing	Prices								
		Defrost					Coil options Extra price			Special casing Extra price
		A	E	HG	HG+HD		Re-heating coil	EP	CA	SS
Ø 500 (400V/3ph - 50HZ) - ERP 2015										
CCE_501A	4	1632	2037	1862	1740		155	146	290	1045
CCE_501B	4	1836	2241	2066	1944		154	216	435	1045
CCE_501C	4	2040	2445	2270	2148		163	290	578	1045
CCE_502A	4	2565	3015	2965	2682		244	292	580	1742
CCE_502B	4	3043	3493	3443	3160		241	432	870	1742
CCE_502C	4	3279	3729	3679	3396		256	580	1156	1742
CCE_503B	4	4284	4770	4714	4419		408	648	1305	2786
CCE_503C	4	4911	5397	5341	5046		404	870	1734	2786
CCE_504B	4	5324	5867	5784	5477		507	864	1740	3443
CCE_504C	4	6202	6745	6662	6355		501	1160	2312	3443
CCE_501A	5,5	1616	2021	1846	1724		—	109	216	1045
CCE_501B	5,5	1818	2223	2048	1926		—	162	325	1045
CCE_501C	5,5	2020	2425	2250	2128		—	216	432	1045
CCE_502A	5,5	2539	2989	2939	2656		—	218	432	1742
CCE_502B	5,5	3013	3463	3413	3130		—	324	650	1742
CCE_502C	5,5	3247	3697	3647	3364		—	432	864	1742
CCE_503B	5,5	4242	4728	4672	4377		—	486	975	2786
CCE_503C	5,5	4862	5348	5292	4997		—	648	1296	2786
CCE_504B	5,5	5272	5815	5732	5425		—	648	1300	3443
CCE_504C	5,5	6141	6684	6601	6294		—	864	1728	3443
CCE_501A	7	1600	2005	1830	1708		157	86	174	1045
CCE_501B	7	1800	2205	2030	1908		175	131	261	1045
CCE_501C	7	2000	2405	2230	2108		173	174	349	1045
CCE_502A	7	2514	2964	2914	2631		246	172	348	1742
CCE_502B	7	2983	3433	3383	3100		290	262	522	1742
CCE_502C	7	3215	3665	3615	3332		286	348	698	1742
CCE_503B	7	4200	4686	4630	4335		425	393	783	2786
CCE_503C	7	4814	5300	5244	4949		420	522	1047	2786
CCE_504B	7	5220	5763	5680	5373		527	524	1044	3443
CCE_504C	7	6080	6623	6540	6233		522	696	1396	3443
CCE_501A	8	1568	1973	1798	1676		184	85	172	1045
CCE_501B	8	1764	2169	1994	1872		182	130	258	1045
CCE_501C	8	1960	2365	2190	2068		182	172	346	1045
CCE_502A	8	2464	2914	2864	2581		304	170	344	1742
CCE_502B	8	2923	3373	3323	3040		301	260	516	1742
CCE_502C	8	3150	3600	3550	3267		301	344	692	1742
CCE_503B	8	4116	4602	4546	4251		412	390	774	2786
CCE_503C	8	4718	5204	5148	4853		—	516	1038	2786
CCE_504B	8	5116	5659	5576	5269		511	520	1032	3443
CCE_504C	8	5958	6501	6418	6111		—	688	1384	3443

Air heat exchangers – Optigo CC

A: Air defrost
 E: Electrical defrost
 HG: Hot gas defrost in coil and drip tray
 HG+HD: Hot gas defrost on coil and electric in drip tray
 EP: Epoxy coated aluminium f ns.
 C: Cataphoresis treatment
 PC: Power coated
 SS: Cabinet all part in stainless steel

Model - ERP 2015	Fin spacing	Prices								
		Defrost					Coil options Extra price			Special casing Extra price
		A	E	HG	HG+HD		Re-heating coil	EP	CA	SS
Ø 250 (230V/1ph - 50HZ) - ERP 2015										
CCX_251A	3.3	726	849	956	798		91	42	84	607
CCX_251B	3.3	794	917	1024	866		93	64	127	607
CCX_251C	3.3	925	1048	1155	997		—	84	169	607
CCX_252A	3.3	1054	1192	1454	1140		133	84	169	785
CCX_252B	3.3	1152	1290	1552	1238		132	128	253	785
CCX_252C	3.3	1315	1453	1715	1401		—	169	338	785
CCX_253A	3.3	1264	1417	1694	1353		161	127	253	1045
CCX_253B	3.3	1392	1545	1822	1481		162	192	380	1045
CCX_253C	3.3	1546	1699	1976	1635		—	253	507	1045
CCX_254A	3.3	1516	1684	1946	1611		212	169	338	1327
CCX_254B	3.3	1766	1934	2196	1861		210	255	507	1327
CCX_251A	4	719	842	949	791		93	35	71	607
CCX_251B	4	786	909	1016	858		93	53	106	607
CCX_251C	4	916	1039	1146	988		92	71	141	607
CCX_252A	4	1043	1181	1443	1129		132	70	142	785
CCX_252B	4	1140	1278	1540	1226		132	105	212	785
CCX_252C	4	1303	1441	1703	1389		133	142	282	785
CCX_253A	4	1251	1404	1681	1340		162	105	213	1045
CCX_253B	4	1378	1531	1808	1467		162	158	318	1045
CCX_253C	4	1531	1684	1961	1620		162	213	423	1045
CCX_254A	4	1501	1669	1931	1596		182	140	284	1327
CCX_254B	4	1749	1917	2179	1844		180	210	424	1327
CCX_251A	5.5	712	835	942	784		—	27	53	607
CCX_251B	5.5	779	902	1009	851		—	39	79	607
CCX_251C	5.5	906	1029	1136	978		—	53	105	607
CCX_252A	5.5	1032	1170	1432	1118		—	54	105	785
CCX_252B	5.5	1129	1267	1529	1215		—	78	159	785
CCX_252C	5.5	1290	1428	1690	1376		—	105	210	785
CCX_253A	5.5	1239	1392	1669	1328		—	80	158	1045
CCX_253B	5.5	1364	1517	1794	1453		—	117	238	1045
CCX_253C	5.5	1515	1668	1945	1604		—	158	315	1045
CCX_254A	5.5	1486	1654	1916	1581		208	107	210	1327
CCX_254B	5.5	1732	1900	2162	1827		206	157	317	1327
CCX_251A	7	705	828	935	777		92	22	42	607
CCX_251B	7	770	893	1000	842		93	32	64	607
CCX_251C	7	897	1020	1127	969		93	42	85	607
CCX_252A	7	1022	1160	1422	1108		133	43	84	785
CCX_252B	7	1118	1256	1518	1204		132	64	128	785
CCX_252C	7	1276	1414	1676	1362		133	84	171	785
CCX_253A	7	1227	1380	1657	1316		161	65	127	1045
CCX_253B	7	1350	1503	1780	1439		161	96	192	1045
CCX_253C	7	1501	1654	1931	1590		161	127	256	1045
CCX_254A	7	1472	1640	1902	1567		178	87	169	1327
CCX_254B	7	1715	1883	2145	1810		177	128	255	1327



A: Air defrost
 E: Electrical defrost
 HG: Hot gas defrost in coil and drip tray)
 HG+HD: Hot gas defrost on coil and electric in drip tray
 EP: Epoxy coated aluminium f ns.
 C: Cataphoresis treatment
 PC: Power coated
 SS: Cabinet all part in stainless steel

Model - ERP 2015	Fin spacing	Prices								
		Defrost					Coil options Extra price			Special casing Extra price
		A	E	HG	HG+HD		Re-heating coil	EP	CA	SS
Ø 350 (230V/1ph - 50HZ) - ERP 2015										
CCX_351A	3.3	1004	1160	1234	1076		133	68	135	725
CCX_351B	3.3	1144	1300	1374	1216		133	101	203	725
CCX_351C	3.3	1194	1350	1424	1266		—	135	271	725
CCX_352A	3.3	1345	1525	1745	1431		218	136	270	943
CCX_352B	3.3	1670	1850	2070	1756		219	202	406	943
CCX_352C	3.3	1955	2135	2355	2041		—	270	542	943
CCX_353A	3.3	1897	2092	2327	1986		236	204	405	1256
CCX_353B	3.3	2182	2377	2612	2271		236	303	609	1256
CCX_353C	3.3	2521	2716	2951	2610		—	405	813	1256
CCX_354A	3.3	2341	2545	2771	2436		329	272	540	1569
CCX_354B	3.3	2850	3054	3280	2945		329	404	812	1569
CCX_351A	4	995	1151	1225	1067		133	57	113	725
CCX_351B	4	1133	1289	1363	1205		132	84	170	725
CCX_351C	4	1181	1337	1411	1253		133	113	226	725
CCX_352A	4	1332	1512	1732	1418		220	113	227	943
CCX_352B	4	1653	1833	2053	1739		219	169	340	943
CCX_352C	4	1935	2115	2335	2021		220	227	451	943
CCX_353A	4	1879	2074	2309	1968		237	170	340	1256
CCX_353B	4	2160	2355	2590	2249		237	253	510	1256
CCX_353C	4	2497	2692	2927	2586		236	340	677	1256
CCX_354A	4	2319	2523	2749	2414		330	227	453	1569
CCX_354B	4	2822	3026	3252	2917		328	338	680	1569
CCX_351A	5.5	985	1141	1215	1057		—	42	84	725
CCX_351B	5.5	1122	1278	1352	1194		—	63	127	725
CCX_351C	5.5	1170	1326	1400	1242		—	84	169	725
CCX_352A	5.5	1318	1498	1718	1404		—	84	169	943
CCX_352B	5.5	1637	1817	2037	1723		—	126	253	943
CCX_352C	5.5	1916	2096	2316	2002		—	169	338	943
CCX_353A	5.5	1860	2055	2290	1949		—	127	253	1256
CCX_353B	5.5	2138	2333	2568	2227		—	188	380	1256
CCX_353C	5.5	2472	2667	2902	2561		—	253	507	1256
CCX_354A	5.5	2295	2499	2725	2390		330	169	338	1569
CCX_354B	5.5	2793	2997	3223	2888		328	251	507	1569
CCX_351A	7	974	1130	1204	1046		133	34	68	725
CCX_351B	7	1110	1266	1340	1182		133	51	102	725
CCX_351C	7	1158	1314	1388	1230		133	68	136	725
CCX_352A	7	1306	1486	1706	1392		218	68	136	943
CCX_352B	7	1620	1800	2020	1706		219	103	204	943
CCX_352C	7	1897	2077	2297	1983		219	136	272	943
CCX_353A	7	1842	2037	2272	1931		236	102	204	1256
CCX_353B	7	2117	2312	2547	2206		235	154	306	1256
CCX_353C	7	2446	2641	2876	2535		236	204	408	1256
CCX_354A	7	2272	2476	2702	2367		329	136	272	1569
CCX_354B	7	2766	2970	3196	2861		329	206	408	1569

Air heat exchangers – Optigo CC

A: Air defrost
 E: Electrical defrost
 HG: Hot gas defrost in coil and drip tray)
 HG+HD: Hot gas defrost on coil and electric in drip tray
 EP: Epoxy coated aluminium f ns.
 C: Cataphoresis treatment
 PC: Power coated
 SS: Cabinet all part in stainless steel

Model - ERP 2015	Fin spacing	Prices								
		Defrost					Coil options Extra price			Special casing Extra price
		A	E	HG	HG+HD		Re-heating coil	EP	CA	SS
Ø 400 (400V/3ph - 50HZ) - ERP 2015										
CCX_401A	3,3	1404	1770	1634	1478		168	109	216	964
CCX_401B	3,3	1711	2077	1941	1785		166	162	325	964
CCX_401C	3,3	1877	2243	2107	1951		—	216	433	964
CCX_402A	3,3	2364	2748	2764	2453		248	218	432	1377
CCX_402B	3,3	2527	2911	2927	2616		245	324	650	1377
CCX_402C	3,3	2832	3216	3232	2921		—	432	866	1377
CCX_403A	3,3	2920	3325	3350	3015		320	327	648	1762
CCX_403B	3,3	3262	3667	3692	3357		317	486	975	1762
CCX_403C	3,3	3806	4211	4236	3901		—	648	1299	1762
CCX_404A	3,3	3963	4428	4393	4066		437	436	864	2291
CCX_404B	3,3	4450	4915	4880	4553		432	648	1300	2291
CCX_404C	3,3	4728	5193	5158	4831		—	864	1732	2291
CCX_401A	4	1391	1757	1621	1465		141	91	181	964
CCX_401B	4	1695	2061	1925	1769		139	135	272	964
CCX_401C	4	1859	2225	2089	1933		138	181	361	964
CCX_402A	4	2341	2725	2741	2430		236	182	362	1377
CCX_402B	4	2502	2886	2902	2591		234	270	544	1377
CCX_402C	4	2805	3189	3205	2894		232	362	722	1377
CCX_403A	4	2892	3297	3322	2987		292	273	543	1762
CCX_403B	4	3230	3635	3660	3325		289	405	816	1762
CCX_403C	4	3769	4174	4199	3864		287	543	1083	1762
CCX_404A	4	3924	4389	4354	4027		396	364	724	2291
CCX_404B	4	4406	4871	4836	4509		393	540	1088	2291
CCX_404C	4	4682	5147	5112	4785		389	724	1444	2291
CCX_401A	5,5	1377	1743	1607	1451		—	68	135	964
CCX_401B	5,5	1678	2044	1908	1752		—	101	203	964
CCX_401C	5,5	1841	2207	2071	1915		—	135	270	964
CCX_402A	5,5	2318	2702	2718	2407		—	136	270	1377
CCX_402B	5,5	2477	2861	2877	2566		—	202	406	1377
CCX_402C	5,5	2777	3161	3177	2866		—	270	540	1377
CCX_403A	5,5	2863	3268	3293	2958		—	204	405	1762
CCX_403B	5,5	3199	3604	3629	3294		—	303	609	1762
CCX_403C	5,5	3732	4137	4162	3827		—	405	810	1762
CCX_404A	5,5	3886	4351	4316	3989		—	272	540	2291
CCX_404B	5,5	4363	4828	4793	4466		—	404	812	2291
CCX_404C	5,5	4636	5101	5066	4739		—	540	1080	2291
CCX_401A	7	1364	1730	1594	1438		136	54	109	964
CCX_401B	7	1662	2028	1892	1736		172	82	163	964
CCX_401C	7	1823	2189	2053	1897		169	109	218	964
CCX_402A	7	2295	2679	2695	2384		230	108	218	1377
CCX_402B	7	2453	2837	2853	2542		252	164	326	1377
CCX_402C	7	2750	3134	3150	2839		250	218	436	1377
CCX_403A	7	2835	3240	3265	2930		284	162	327	1762
CCX_403B	7	3167	3572	3597	3262		326	246	489	1762
CCX_403C	7	3695	4100	4125	3790		323	327	654	1762
CCX_404A	7	3848	4313	4278	3951		384	216	436	2291
CCX_404B	7	4320	4785	4750	4423		445	328	652	2291
CCX_404C	7	4590	5055	5020	4693		441	436	872	2291



A: Air defrost
 E: Electrical defrost
 HG: Hot gas defrost in coil and drip tray)
 HG+HD: Hot gas defrost on coil and electric in drip tray
 EP: Epoxy coated aluminium f ns.
 C: Cataphoresis treatment
 PC: Power coated
 SS: Cabinet all part in stainless steel

Model - ERP 2015	Fin spacing	Prices								
		Defrost					Coil options Extra price			Special casing Extra price
		A	E	HG	HG+HD		Re-heating coil	EP	CA	SS
Ø 400 (400V/3ph - 50HZ) - ERP 2015										
CCX_501A	3,3	2225	2630	2455	2333		246	174	346	1045
CCX_501B	3,3	2503	2908	2733	2611		243	259	520	1045
CCX_501C	3,3	2781	3186	3011	2889		—	346	693	1045
CCX_502A	3,3	3496	3946	3896	3613		407	348	692	1742
CCX_502B	3,3	4148	4598	4548	4265		403	518	1040	1742
CCX_502C	3,3	4470	4920	4870	4587		—	692	1386	1742
CCX_503A	3,3	5006	5492	5436	5141		573	522	1038	2786
CCX_503B	3,3	5841	6327	6271	5976		568	777	1560	2786
CCX_503C	3,3	6694	7180	7124	6829		—	1038	2079	3443
CCX_504A	3,3	5840	6383	6300	5993		726	696	1384	3443
CCX_504B	3,3	7258	7801	7718	7411		719	1036	2080	1045
CCX_501A	4	2203	2608	2433	2311		222	146	290	1045
CCX_501B	4	2479	2884	2709	2587		221	216	435	1045
CCX_501C	4	2754	3159	2984	2862		218	290	578	1045
CCX_502A	4	3462	3912	3862	3579		350	292	580	1742
CCX_502B	4	4107	4557	4507	4224		346	432	870	1742
CCX_502C	4	4427	4877	4827	4544		343	580	1156	1742
CCX_503A	4	4957	5443	5387	5092		500	438	870	2786
CCX_503B	4	5784	6270	6214	5919		496	648	1305	2786
CCX_503C	4	6629	7115	7059	6764		490	870	1734	3443
CCX_504A	4	5783	6326	6243	5936		584	584	1160	3443
CCX_504B	4	7188	7731	7648	7341		579	864	1740	1045
CCX_501A	5,5	2182	2587	2412	2290		—	109	216	1045
CCX_501B	5,5	2454	2859	2684	2562		—	162	325	1045
CCX_501C	5,5	2727	3132	2957	2835		—	216	432	1045
CCX_502A	5,5	3428	3878	3828	3545		—	218	432	1742
CCX_502B	5,5	4067	4517	4467	4184		—	324	650	1742
CCX_502C	5,5	4383	4833	4783	4500		—	432	864	1742
CCX_503A	5,5	4909	5395	5339	5044		—	327	648	2786
CCX_503B	5,5	5727	6213	6157	5862		—	486	975	2786
CCX_503C	5,5	6564	7050	6994	6699		—	648	1296	3443
CCX_504A	5,5	5727	6270	6187	5880		711	436	864	3443
CCX_504B	5,5	7118	7661	7578	7271		705	648	1300	1045
CCX_501A	7	2160	2565	2390	2268		216	86	174	1045
CCX_501B	7	2430	2835	2660	2538		250	131	261	1045
CCX_501C	7	2700	3105	2930	2808		247	174	349	1045
CCX_502A	7	3394	3844	3794	3511		340	172	348	1742
CCX_502B	7	4027	4477	4427	4144		414	262	522	1742
CCX_502C	7	4340	4790	4740	4457		411	348	698	1742
CCX_503A	7	4860	5346	5290	4995		486	258	522	2786
CCX_503B	7	5670	6156	6100	5805		584	393	783	2786
CCX_503C	7	6499	6985	6929	6634		578	522	1047	3443
CCX_504A	7	5670	6213	6130	5823		572	344	696	3443
CCX_504B	7	7047	7590	7507	7200		567	524	1044	1045

Accessories and options

Fan motor				
Fan motor 230V/1ph - 50/60 Hz. Extra price for each fan	Ø 350	Price		
		2p	4p	6p
		NEP	NEP	40
Fan motor 230-400V/3ph - 50/60 Hz. Extra price for each fan	Ø 250	2p	4p	6p
	Ø 350	46 NEP	NEP 60	NEP NEP

EC fan motors		
Fan motor 230V/1ph - 50/60 Hz. Extra price for each fan	Ø 250 Ø 350 Ø 400	Price
Fan motor 230-400V/3ph - 50/60 Hz. Extra price for each fan	Ø 500	700

Model	Price				
	Connection box		Local safety switch wired	Fan ring heater	Electrical heater
	S = Single phase	T = Three phase			
251	47	183	110	77	94
252	70	194	220	133	81
253	90	216	330	198	94
254	121	236	440	261	100
351	47	183	110	77	94
352	70	194	220	133	81
353	90	216	330	198	94
354	121	236	440	261	100
401	47	183	110	77	81
402	70	194	220	133	94
403	90	216	330	198	94
404	121	236	440	261	100
501	96	96	110	77	81
502	96	96	220	133	94
503	139	139	330	198	94
504	196	196	440	261	100

Model	Price				
	Insulated drip tray		Shut-up system	Sock	
	Power coated	Stainless steel		Power coated	Stainless steel
251	200	200	275	—	—
252	260	260	530	—	—
253	320	320	790	—	—
254	380	—	1040	—	—
351	200	200	325	—	—
352	260	260	625	—	—
353	320	320	935	—	—
354	380	380	1235	—	—
401	330	—	325	100	140
402	390	—	625	200	280
403	450	—	935	300	420
404	510	—	1235	400	560
501	330	—	355	100	140
502	390	—	690	200	280
503	450	—	1025	300	420
504	510	—	1360	400	560

**AlfaCubic
Prices**

A: Air defrost
 E: Electrical defrost
 HG: Hot gas defrost in coil and drip tray)
 HG+HD: Hot gas defrost on coil and electric in drip tray
 SS: Cabinet all part in stainless steel
 EP: Epoxy coated aluminium f ns.
 C: Cataphoresis treatment

Model	Fin spacing	Defrost Direct Expansion (E)				Special casing Extra price	Coil options Extra price	
		A	E	HG	HG+HD	SS	EP	C
Price								
Ø 250 - ERP 2015								
GLE_251A40	4	675	833	850	823	339	54	188
GLE_251B40	4	746	923	921	894	339	59	210
GLE_252A40	4	946	1115	1138	1110	474	106	376
GLE_252B40	4	1060	1264	1251	1224	474	116	420
GLE_253A40	4	1289	1491	1512	1479	646	159	564
GLE_253B40	4	1428	1656	1652	1617	646	176	630
RLE_251A55	5.5	668	826	844	817	339	53	185
RLE_251B55	5.5	733	909	908	883	339	57	207
RLE_252A55	5.5	930	1099	1121	1095	474	103	372
RLE_252B55	5.5	1038	1243	1231	1202	474	114	413
RLE_253A55	5.5	1257	1462	1481	1448	646	156	557
RLE_253B55	5.5	1379	1609	1605	1571	646	171	620
BLE_251A70	7	665	822	839	813	339	52	184
BLE_251B70	7	728	905	903	878	339	57	205
BLE_252A70	7	922	1092	1115	1087	474	103	370
BLE_252B70	7	1026	1233	1221	1192	474	113	409
BLE_253A70	7	1244	1448	1468	1435	646	155	554
BLE_253B70	7	1364	1592	1588	1553	646	171	614
Ø 350 - ERP 2015								
GLE_351A40	4	876	1059	1051	1024	431	65	224
GLE_351B40	4	991	1194	1166	1138	431	73	254
GLE_352A40	4	1228	1444	1420	1393	604	128	448
GLE_352B40	4	1405	1657	1598	1570	604	145	511
GLE_353A40	4	1709	1948	1933	1899	840	193	672
GLE_353B40	4	1955	2237	2179	2145	840	219	765
GLE_354A40	4	2167	2452	2468	2424	1067	255	895
GLE_354B40	4	2495	2812	2794	2750	1067	293	1021
RLE_351A55	5.5	863	1049	1040	1012	431	62	218
RLE_351B55	5.5	974	1176	1148	1122	431	70	247
RLE_352A55	5.5	1188	1404	1380	1352	604	125	436
RLE_352B55	5.5	1345	1598	1538	1510	604	140	494
RLE_353A55	5.5	1648	1887	1872	1839	840	186	654
RLE_353B55	5.5	1864	2144	2087	2054	840	211	742
RLE_354A55	5.5	2087	2370	2388	2342	1067	249	873
RLE_354B55	5.5	2370	2688	2670	2627	1067	281	989
BLE_351A70	7	857	1041	1031	1004	431	61	216
BLE_351B70	7	960	1164	1135	1108	431	69	242
BLE_352A70	7	1170	1385	1362	1334	604	123	431
BLE_352B70	7	1316	1570	1510	1481	604	138	486
BLE_353A70	7	1613	1852	1839	1805	840	183	646
BLE_353B70	7	1813	2093	2035	2002	840	207	728
BLE_354A70	7	2041	2324	2341	2297	1067	244	861
BLE_354B70	7	2304	2622	2603	2561	1067	275	972

Air heat exchangers – AlfaCubic

A: Air defrost
 E: Electrical defrost
 HG: Hot gas defrost in coil and drip tray)
 HG+HD: Hot gas defrost on coil and electric in drip tray
 SS: Cabinet all part in stainless steel
 EP: Epoxy coated aluminium f ns.
 C: Cataphoresis treatment

Model	Fin spacing	Defrost				Special casing Extra price	Coil options Extra price	
		Direct Expansion (E)					SS	EP
		A	E	HG	HG+HD	Price		
Ø 400 - ERP 2015								
GLE_401B40	4	1257	1794	1826	1741	625	102	413
GLE_401C40	4	1411	2014	1981	1893	625	116	469
GLE_402B40	4	1955	2582	2615	2517	972	205	824
GLE_402C40	4	2225	2942	2885	2786	972	234	937
GLE_403B40	4	2598	3305	3350	3237	1291	307	1237
GLE_403C40	4	3023	3830	3775	3663	1291	351	1406
RLE_401B55	5.5	1220	1756	1787	1703	625	98	399
RLE_401C55	5.5	1354	1957	1923	1836	625	111	451
RLE_402B55	5.5	1866	2493	2526	2427	972	196	797
RLE_402C55	5.5	2105	2822	2766	2667	972	222	903
RLE_403B55	5.5	2419	3127	3172	3059	1291	295	1196
RLE_403C55	5.5	2837	3644	3589	3477	1291	334	1353
BLE_401B70	7	1204	1741	1773	1687	625	96	392
BLE_401C70	7	1328	1931	1895	1811	625	108	442
BLE_402B70	7	1816	2441	2476	2376	972	192	784
BLE_402C70	7	2037	2752	2697	2597	972	216	884
BLE_403B70	7	2344	3053	3096	2984	1291	287	1177
BLE_403C70	7	2735	3542	3487	3374	1291	323	1326
Ø 500 - ERP 2015								
GLE_502A40	4	2672	3137	3294	2953	1289	129	454
GLE_502B40	4	3171	3789	3609	3270	1289	143	502
GLE_502C40	4	3634	4329	4085	3752	1289	166	583
GLE_503B40	4	4466	5195	5041	4557	2154	215	753
GLE_503C40	4	5119	5945	5749	5217	2154	249	875
GLE_504B40	4	5552	6305	6464	5779	2676	286	1004
GLE_504C40	4	6596	7616	7508	6822	2676	332	1166
RLE_502A55	5.5	2569	3034	3190	2847	1289	124	439
RLE_502B55	5.5	3046	3663	3481	3144	1289	138	484
RLE_502C55	5.5	3487	4183	3942	3606	1289	158	559
RLE_503B55	5.5	4289	5018	4864	4380	2154	207	726
RLE_503C55	5.5	4912	5740	5544	5011	2154	237	839
RLE_504B55	5.5	5333	6084	6244	5557	2676	276	968
RLE_504C55	5.5	6204	7226	7117	6430	2676	316	1118
BLE_502A70	7	2514	2982	3135	2793	1289	122	431
BLE_502B70	7	2984	3603	3421	3082	1289	135	476
BLE_502C70	7	3216	3911	3670	3336	1289	152	541
BLE_503B70	7	4201	4933	4777	4294	2154	203	714
BLE_503C70	7	4816	5642	5447	4913	2154	228	812
BLE_504B70	7	5223	5974	6133	5449	2676	270	952
BLE_504C70	7	6082	7104	6994	6308	2676	304	1082

Accessories and options

Fan motor				
		Price		
		2p	4p	6p
Fan motor 230V/1ph - 50/60 Hz. Extra price for each fan	Ø 350	NEP	NEP	40
	Ø 400	NEP	NEP	40
	Ø 500	NEP	NEP	40
	Ø 500 (60 Hz)	NEP	NEP	NEP
Fan motor 230-400V/3ph - 50/60 Hz. Extra price for each fan	Ø 250	46	NEP	NEP
	Ø 350	NEP	60	NEP
Fan motor 400V/3ph - 50/60 Hz. Extra price for each fan		2p	4p	6p
	Ø 400	NEP	NEP	140
	Ø 500 (50 Hz)	NEP	NEP	NEP
	Ø 500 (60 Hz)	NEP	16	NEP

Electrical options				
Series	Price			
	Ø 250	Ø 350	Ø 400	Ø 500
Local safety switch wired				
Number of fans				
1	135	135	135	-
2	270	270	270	270
3	405	405	405	405
4	-	541	-	541
Terminal box				
Number of fans	S = Single phase			
1	47	47	47	-
2	70	71	70	96
3	90	90	90	139
4	-	121	-	196
Number of fans	T = Three phase			
1	183	183	196	-
2	194	194	208	423
3	216	216	231	483
4	-	236	-	555
Electrical defrost on drip tray only				
Number of fans				
1	81	81	90	-
2	89	89	97	106
3	97	97	107	119
4	-	101	-	134
AlfaStreamer				
Number of fans				
1	-	-	72	-
2	-	-	144	172
3	-	-	217	260
4	-	-	-	345
Air sock adapter ring				
Number of fans				
1	-	-	111	-
2	-	-	222	222
3	-	-	334	334
4	-	-	445	445
Fan ring heater				
Number of fans				
1	72	77	81	-
2	144	155	165	177
3	217	232	246	265
4	-	308	-	352
Cable electrical heater				
Model RS70W			41001200	20

Re-heating coil						
Model		Application	Extra rows	NC	Capacity (*)	Price
GL / RL / BL						
D = 250 mm	251A	Dx / Brine	2	2	4,84	183
	251B	Dx / Brine		not available		-
	252A	Dx / Brine	2	2	9,05	246
	252B	Dx / Brine		not available		-
	253A	Dx / Brine	2	2	12,72	318
	253B	Dx / Brine		not available		-
D = 350 mm	351A	Dx / Brine	2	2	7,72	183
	351B	Dx / Brine		not available		-
	352A	Dx / Brine	2	2	13,86	246
	352B	Dx / Brine		not available		-
	353A	Dx / Brine	2	2	18,72	318
	353B	Dx / Brine		not available		-
	354A	Dx / Brine	2	2	22,55	399
	354B	Dx / Brine		not available		-
D = 400 mm	401B	Dx / Brine	2	2	10,15	225
	401C	Dx / Brine		not available		-
	402B	Dx / Brine	2	2	17,88	343
	402C	Dx / Brine		not available		-
	403B	Dx / Brine	2	2	23,37	506
	403C	Dx / Brine		not available		-
D = 500 mm	502A	Dx / Brine	2	4	32,89	343
	502B	Dx / Brine	2	4	32,89	343
	502C	Dx / Brine		not available		-
	503B	Dx / Brine	2	4	43,55	506
	503C	Dx / Brine		not available		-
	504B	Dx / Brine	2	4	51,39	674
		504C	Dx / Brine		not available	

(*) The re-heating capacity is calculated using the following conditions:

- Water inlet temp: 40°C
- Fluid velocity: 1 m/s
- Air inlet temperature: +12°C
- Fluid pressure drop: lower than 50 kPa

Series	Options			
	Price			
	Ø 250	Ø 350	Ø 400	Ø 500
Insulated drip tray				
Aluminium pre-painted				
Number of fans				
1	256	256	278	-
2	278	278	306	379
3	306	306	331	685
4	-	415	-	817
Stainless steel				
Number of fans				
1	333	333	362	-
2	362	362	399	494
3	399	399	432	891
4	-	415	-	1064
FE connection				
Ref. connection in stainless steel kit with end terminal in Fe				344



**Fincoil Polar Cat G
Prices**

PC	Standard model			Extra price EUR				
		Fin spacing						
Size	Fan motor	4 mm	7 mm	SS0	SS	SK	Ft	SP
101	1 x 254	795	783	-	190	178	-	-
102	2 x 254	1021	938	-	222	178	-	-
103	1 x 350	1287	1240	-	278	255	78	33
104	3 x 254	1416	1369	-	245	178	-	-
105	1 x 350	1538	1491	-	301	255	78	33
106	2 x 350	1846	1787	-	401	200	123	78
107	2 x 350	2252	2134	-	378	255	144	89
108	1 x 450	2127	2020	-	401	334	78	44
109	1 x 450	2650	2485	-	489	334	78	44
110	3 x 350	3014	2861	-	345	334	222	123
111	2 x 450	3176	3034	-	534	334	144	89
112	2 x 450	3816	3651	-	656	334	144	89
113	3 x 450	4134	3781	-	600	334	222	134
114	2 x 500	4717	4682	456	679	334	144	100
115	2 x 500	5330	5271	612	1001	334	144	100
116	3 x 500	6529	6458	767	1257	445	222	144

SS0 = Electric defrost (cold rooms appr. 0°C)

SS = Electric defrost

SK = wall mounting

Ft = Round flanges for textile air duct

SP = Electric defrost for fan openings



**Airmax II
Prices**

- A: Air defrost
- E: Electric defrost (coil + drip tray)
- LE: Low electric defrost (coil + drip tray)
- HG: Hot gas defrost
- W: Water defrost only
- HG+HD = Hot gas + electric in drip tray
- W+HD: water defrost on coil and electric in drip tray
- SS: Cabinet all part in stainless steel
- EP: Epoxy coated aluminium f ns.
- C: Cataphoresis treatment

Model	Price							Special casing Extra price	Coil options Extra price		
	Direct Expansion (E)										
	Defrost										
A	E	LE	HG	W	HG+HD	W+HD	SS	EP	C		
Ø 500 mm - High speed rotation - ERP 2015											
Fin spacing 4 mm											
ILGE501A4	2428	3147	3076	3267	2620	3028	2691	501	140	349	
ILGE501C4	3064	3867	3773	3905	3309	3665	3404	501	177	443	
ILGE501E4	3326	4185	4079	4167	3610	3928	3716	501	205	513	
ILGE502A4	3161	4110	4016	4264	3408	3954	3502	1000	280	699	
ILGE502C4	4061	5118	4998	5168	4381	4855	4500	1000	353	886	
ILGE502E4	4672	5801	5663	5777	5040	5466	5177	1000	411	1026	
ILGE503A4	4310	5540	5413	5753	4649	5328	4776	1348	419	1049	
ILGE503C4	5525	6897	6734	6966	5960	6543	6122	1348	530	1329	
ILGE503E4	6301	7767	7582	7744	6797	7321	6982	1348	615	1539	
ILGE504A4	5293	6784	6628	7043	5710	6524	5866	1671	559	1400	
ILGE504C4	6788	8456	8256	8541	7321	8021	7523	1671	709	1771	
ILGE504E4	7819	9608	9379	9571	8435	9052	8664	1671	820	2052	
ILGE505A4	6376	8218	8032	8527	6871	7907	7058	2084	699	1749	
ILGE505C4	8071	10121	9882	10220	8706	9602	8943	2084	886	2213	
ILGE505E4	9741	11987	11701	11891	10505	11272	10793	2084	1026	2564	
Fin spacing 6 mm											
ILRE501A6	2377	3097	3026	3217	2570	2978	2641	501	135	336	
ILRE501C6	2999	3802	3710	3840	3246	3601	3338	501	170	423	
ILRE501E6	3238	4097	3991	4080	3523	3840	3628	501	196	489	
ILRE502A6	3091	4041	3946	4195	3339	3884	3432	1000	269	672	
ILRE502C6	3958	5015	4895	5065	4278	4752	4399	1000	339	848	
ILRE502E6	4535	5664	5527	5641	4902	5330	5040	1000	391	980	
ILRE503A6	4190	5422	5293	5633	4529	5209	4656	1348	403	1007	
ILRE503C6	5374	6748	6585	6817	5808	6392	5971	1348	510	1273	
ILRE503E6	6103	7566	7380	7544	6597	7119	6784	1348	588	1470	
ILRE504A6	5137	6629	6474	6890	5554	6370	5709	1671	538	1344	
ILRE504C6	6586	8251	8054	8336	7118	7817	7318	1671	680	1696	
ILRE504E6	7559	9347	9119	9310	8174	8790	8404	1671	784	1960	
ILRE505A6	6106	7947	7761	8256	6601	7637	6786	2084	672	1680	
ILRE505C6	7825	9876	9637	9975	8460	9357	8698	2084	850	2120	
ILRE505E6	9413	11659	11373	11562	10178	10944	10465	2084	980	2449	
Fin spacing 8 mm											
ILBE501A8	2355	3076	3003	3196	2547	2957	2618	501	134	333	
ILBE501C8	3009	3807	3715	3845	3254	3606	3344	501	168	419	
ILBE501E8	3246	4100	3996	4084	3528	3844	3634	501	194	484	
ILBE502A8	3295	4246	4153	4401	3545	4089	3638	1000	266	665	
ILBE502C8	3949	5007	4886	5054	4268	4744	4387	1000	336	839	
ILBE502E8	4516	5642	5504	5619	4881	5307	5019	1000	387	968	
ILBE503A8	4090	5319	5191	5531	4429	5107	4557	1348	400	998	
ILBE503C8	5312	6686	6522	6754	5745	6329	5909	1348	504	1260	
ILBE503E8	6064	7526	7341	7504	6558	7080	6743	1348	581	1451	
ILBE504A8	5052	6544	6389	6804	5469	6285	5624	1671	531	1330	
ILBE504C8	6566	8234	8035	8318	7101	7799	7302	1671	672	1679	
ILBE504E8	7506	9295	9066	9259	8122	8739	8352	1671	775	1934	
ILBE505A8	5997	7837	7652	8147	6491	7527	6676	2084	665	1662	
ILBE505C8	7798	9848	9610	9947	8432	9329	8670	2084	839	2098	
ILBE505E8	9349	11597	11310	11501	10116	10881	10402	2084	968	2418	

Air heat exchangers – Airmax II

- A: Air defrost
 E: Electric defrost (coil + drip tray)
 LE: Low electric defrost (coil + drip tray)
 HG: Hot gas defrost
 W: Water defrost only
 HG+HD = Hot gas + electric in drip tray
 W+HD: water defrost on coil and electric in drip tray
 SS: Cabinet all part in stainless steel
 EP: Epoxy coated aluminium f ns.
 C: Cataphoresis treatment

Model	Price							Special casing Extra price	Coil options Extra price		
	Direct Expansion (E)										
	Defrost										
A	E	LE	HG	W	HG+HD	W+HD	SS	EP	C		
Ø 560 mm - High speed rotation - ERP 2015											
Fin spacing 4 mm											
ILGE561C4	3924	4922	4801	5121	4243	4722	4362	659	228	570	
ILGE561E4	4925	5996	5857	6123	5293	5724	5431	659	270	677	
ILGE561G4	5401	6527	6376	6599	5805	6202	5958	659	307	767	
ILGE562C4	5626	6951	6795	7215	6047	6690	6205	1317	455	1139	
ILGE562E4	6483	7904	7723	8071	6967	7546	7148	1317	541	1352	
ILGE562G4	7109	8601	8402	8697	7640	8172	7838	1317	614	1534	
ILGE563C4	7854	9602	9380	9967	8440	9233	8659	1847	683	1708	
ILGE563E4	9080	10964	10711	11194	9758	10461	10013	1847	811	2029	
ILGE563G4	9962	11946	11666	12075	10707	11342	10985	1847	921	2302	
ILGE564C4	9800	11939	11664	12395	10533	11481	10808	2316	912	2277	
ILGE564E4	11397	13715	13396	13994	12250	13079	12569	2316	1082	2704	
ILGE564G4	12422	14852	14505	15015	13348	14102	13696	2316	1228	3069	
ILGE565C4	11817	14459	14130	15012	12701	13908	13032	2793	1139	2847	
ILGE565E4	13741	16599	16214	16935	14767	15831	15151	2793	1352	3380	
ILGE565G4	14977	17974	17553	18171	16096	17067	16515	2793	1535	3837	
Fin spacing 6 mm											
ILRE561C6	3894	4894	4772	5092	4214	4694	4334	659	221	554	
ILRE561E6	4763	5835	5696	5961	5131	5562	5268	659	263	656	
ILRE561G6	5203	6328	6177	6402	5606	6003	5759	659	297	742	
ILRE562C6	5463	6789	6632	7052	5883	6528	6042	1317	443	1107	
ILRE562E6	6270	7693	7511	7860	6754	7335	6935	1317	524	1311	
ILRE562G6	6847	8339	8140	8436	7379	7910	7578	1317	594	1485	
ILRE563C6	7607	9355	9134	9721	8194	8987	8413	1847	664	1660	
ILRE563E6	8763	10648	10394	10877	9441	10142	9695	1847	787	1968	
ILRE563G6	9572	11556	11275	11685	10315	10952	10596	1847	891	2227	
ILRE564C6	9439	11577	11302	12035	10171	11120	10446	2316	886	2215	
ILRE564E6	10976	13293	12973	13570	11827	12658	12147	2316	1049	2623	
ILRE564G6	11964	14395	14049	14560	12893	13645	13241	2316	1188	2969	
ILRE565C6	11371	14013	13681	14564	12253	13461	12585	2793	1107	2768	
ILRE565E6	13222	16081	15696	16417	14250	15314	14634	2793	1310	3280	
ILRE565G6	14412	17405	16986	17604	15528	16500	15950	2793	1485	3712	
Fin spacing 8 mm											
ILBE561C8	3886	4885	4763	5084	4205	4684	4325	659	218	546	
ILBE561E8	4413	5486	5347	5611	4780	5212	4919	659	259	646	
ILBE561G8	4791	5915	5764	5988	5194	5590	5347	659	293	731	
ILBE562C8	5435	6760	6604	7024	5856	6498	6012	1317	437	1093	
ILBE562E8	6219	7641	7460	7808	6704	7283	6886	1317	517	1293	
ILBE562G8	6776	8268	8069	8365	7308	7839	7508	1317	584	1462	
ILBE563C8	7566	9316	9095	9682	8153	8948	8374	1847	655	1639	
ILBE563E8	8687	10573	10320	10803	9367	10068	9621	1847	776	1937	
ILBE563G8	9464	11447	11166	11576	10207	10843	10485	1847	877	2193	
ILBE564C8	9338	11475	11200	11933	10069	11018	10345	2316	874	2186	
ILBE564E8	10875	13191	12872	13468	11726	12556	12044	2316	1033	2584	
ILBE564G8	11877	14308	13963	14472	12805	13559	13153	2316	1168	2923	
ILBE565C8	11241	13882	13551	14433	12123	13330	12455	2793	1093	2732	
ILBE565E8	13092	15950	15565	16286	14118	15182	14502	2793	1293	3230	
ILBE565G8	14298	17294	16874	17491	15416	16388	15836	2793	1461	3654	



- A: Air defrost
- E: Electric defrost (coil + drip tray)
- LE: Low electric defrost (coil + drip tray)
- HG: Hot gas defrost
- W: Water defrost only
- HG+HD = Hot gas + electric in drip tray
- W+HD: water defrost on coil and electric in drip tray
- SS: Cabinet all part in stainless steel
- EP: Epoxy coated aluminium f ns.
- C: Cataphoresis treatment

Model	Price							Special casing Extra price	Coil options Extra price		
	Direct Expansion (E)										
	Defrost										
A	E	LE	HG	W	HG+HD	W+HD	SS	EP	C		
Ø 630 mm - High speed rotation - ERP 2015											
Fin spacing 4 mm											
ILGE631C4	5154	6447	6254	6770	5668	6123	5786	961	295	735	
ILGE631E4	5923	7258	7057	7542	6467	6895	6670	961	368	920	
ILGE631G4	6694	8066	7854	8311	7262	7664	7475	961	409	1024	
ILGE632C4	7889	9587	9338	10006	8559	9168	8812	1922	588	1472	
ILGE632E4	8897	10648	10385	11015	9604	10175	9867	1922	736	1840	
ILGE632G4	9887	11688	11412	12006	10624	11166	10903	1922	819	2048	
ILGE633C4	10162	12254	11948	12765	10979	11744	11285	2338	884	2207	
ILGE633E4	11097	13254	12931	13700	11954	12678	12279	2338	1104	2758	
ILGE633G4	12743	15045	14687	15345	13699	14325	14058	2338	1228	3071	
ILGE634C4	13470	16109	15710	16775	14535	15444	14936	3051	1177	2943	
ILGE634E4	15004	17724	17306	18306	16124	16976	16545	3051	1473	3679	
ILGE634G4	16654	19562	19095	19957	17897	18628	18365	3051	1638	4096	
ILGE635C4	16067	19256	18788	20035	17313	18478	17781	3570	1472	3679	
ILGE635E4	17554	20841	20349	21522	18867	19964	19358	3570	1840	4599	
ILGE635G4	19487	22988	22441	23452	20940	21895	21488	3570	2047	5119	
Fin spacing 6 mm											
ILRE631C6	5046	6341	6147	6663	5562	6018	5756	961	286	715	
ILRE631E6	5820	7154	6951	7437	6361	6791	6567	961	358	894	
ILRE631G6	6591	7963	7750	8207	7159	7561	7372	961	396	992	
ILRE632C6	7800	9499	9248	9917	8470	9078	8721	1922	572	1431	
ILRE632E6	8765	10517	10256	10884	9472	10045	9738	1922	715	1789	
ILRE632G6	8949	10751	10475	11067	9688	10229	9965	1922	793	1984	
ILRE633C6	10050	12142	11836	12653	10867	11632	11172	2338	859	2145	
ILRE633E6	11083	13240	12915	13686	11942	12664	12263	2338	1073	2682	
ILRE633G6	12189	14490	14132	14791	13143	13770	13502	2338	1190	2976	
ILRE634C6	13306	15944	15545	16610	14370	15279	14770	3051	1144	2861	
ILRE634E6	14402	17125	16706	17707	15524	16376	15944	3051	1432	3576	
ILRE634G6	15989	18896	18431	19293	17233	17962	17700	3051	1586	3968	
ILRE635C6	15866	19054	18586	19833	17111	18275	17579	3570	1431	3576	
ILRE635E6	16897	20184	19692	20866	18210	19308	18702	3570	1789	4471	
ILRE635G6	18756	22257	21710	22722	20210	21164	20758	3570	1983	4959	
Fin spacing 8 mm											
ILBE631C8	4944	6239	6047	6562	5460	5916	5655	961	282	707	
ILBE631E8	5737	7072	6870	7355	6281	6709	6485	961	352	882	
ILBE631G8	6467	7841	7628	8086	7037	7440	7250	961	390	975	
ILBE632C8	7698	9397	9147	9817	8369	8977	8621	1922	565	1413	
ILBE632E8	8543	10295	10033	10663	9248	9824	9514	1922	707	1764	
ILBE632G8	8690	10493	10217	10809	9429	9970	9706	1922	781	1951	
ILBE633C8	9839	11930	11626	12442	10655	11422	10961	2338	847	2118	
ILBE633E8	11012	13170	12845	13615	11871	12595	12193	2338	1059	2647	
ILBE633G8	12016	14317	13960	14617	12972	13597	13330	2338	1171	2926	
ILBE634C8	13139	15777	15377	16442	14203	15111	14602	3051	1129	2824	
ILBE634E8	14114	16837	16419	17419	15236	16089	15655	3051	1412	3530	
ILBE634G8	15919	18826	18360	19222	17163	17891	17629	3051	1561	3904	
ILBE635C8	15670	18858	18391	19637	16917	18080	17384	3570	1412	3531	
ILBE635E8	16753	20039	19547	20721	18065	19163	18556	3570	1764	4411	
ILBE635G8	18579	22082	21536	22547	20036	20989	20580	3570	1952	4879	

Air heat exchangers – Airmax II

- A: Air defrost
 E: Electric defrost (coil + drip tray)
 LE: Low electric defrost (coil + drip tray)
 HG: Hot gas defrost
 W: Water defrost only
 HG+HD = Hot gas + electric in drip tray
 W+HD: water defrost on coil and electric in drip tray
 SS: Cabinet all part in stainless steel
 EP: Epoxy coated aluminium f ns.
 C: Cataphoresis treatment

Model	Price							Special casing Extra price	Coil options Extra price	
	Direct Expansion (E)									
	Defrost									
A	E	LE	HG	W	HG+HD	W+HD	SS	EP	C	
Ø 800 mm - High speed rotation - ERP 2015										
Fin spacing 4 mm										
ILGE801C4	5647	6882	6729	7135	6053	6627	6206	1394	488	1221
ILGE801E4	6667	8050	7862	8153	7174	7645	7365	1394	611	1526
ILGE801G4	8331	9853	9628	9818	8929	9309	9153	1394	668	1671
ILGE802C4	10369	12319	12039	12784	11115	11853	11394	2786	976	2442
ILGE802E4	12960	15188	14839	15374	13892	14443	14240	2786	1221	3053
ILGE802G4	15293	17771	17359	17706	16389	16775	16802	2786	1337	3341
ILGE803C4	15347	17956	17564	18609	16393	17302	16784	3391	1465	3662
ILGE803E4	18203	21204	20713	21464	19511	20157	20002	3391	1831	4577
ILGE803G4	21481	24833	24255	24743	23024	23436	23602	3391	2005	5014
ILGE804C4	20389	24075	23468	25091	22012	23061	22623	4424	1953	4883
ILGE804E4	25485	29780	29020	30186	27515	28156	28276	4424	2441	6104
ILGE804G4	30074	34915	34017	34774	32469	32744	33367	4424	2673	6685
Fin spacing 6 mm										
ILRE801C6	5539	6775	6623	7029	5946	6521	6100	1394	475	1188
ILRE801E6	6593	7979	7789	8080	7101	7574	7290	1394	594	1485
ILRE801G6	7478	9001	8777	8966	8077	8457	8302	1394	648	1619
ILRE802C6	10071	12020	11741	12485	10816	11554	11094	2786	951	2376
ILRE802E6	11496	13725	13376	13910	12427	12979	12776	2786	1188	2971
ILRE802G6	13183	15664	15251	15598	14282	14667	14694	2786	1295	3239
ILRE803C6	14009	16619	16227	17272	15057	15965	15448	3391	1427	3564
ILRE803E6	16789	19791	19302	20053	18096	18746	18587	3391	1782	4455
ILRE803G6	19261	22616	22038	22525	20804	21217	21383	3391	1943	4859
ILRE804C6	18438	22122	21514	23139	20060	21108	20669	4424	1901	4752
ILRE804E6	22455	26750	25989	27156	24485	25126	25246	4424	2376	5939
ILRE804G6	24720	29562	28665	29421	27115	27391	28014	4424	2590	6479
Fin spacing 8 mm										
ILBE801C8	5474	6708	6556	6962	5878	6454	6032	1394	470	1173
ILBE801E8	6479	7863	7674	7965	6984	7457	7175	1394	586	1466
ILBE801G8	7477	8999	8775	8964	8075	8455	8300	1394	638	1593
ILBE802C8	9902	11851	11572	12317	10647	11386	10926	2786	937	2346
ILBE802E8	11101	13329	12980	13515	12032	12584	12382	2786	1173	2932
ILBE802G8	13031	15509	15098	15445	14127	14514	14541	2786	1275	3187
ILBE803C8	14000	16609	16216	17263	15046	15955	15438	3391	1407	3520
ILBE803E8	16783	19785	19296	20047	18092	18740	18583	3391	1760	4398
ILBE803G8	18471	21824	21245	21732	20014	20425	20592	3391	1913	4780
ILBE804C8	17330	21016	20407	22032	18954	20002	19563	4424	1877	4692
ILBE804E8	21116	25409	24649	25816	23145	23786	23905	4424	2346	5865
ILBE804G8	23690	28532	27634	28391	26085	26360	26983	4424	2549	6373

Accessories and options

Fan motor			
		Price	
		4p	6p
Fan motor 230V/1ph - 50/60 Hz. Extra price for each fan	Ø 500	NEP	NEP
		4p	6p
Fan motor (400V/3Ph - 50 Hz). Extra price for each fan	Ø 500	-	NEP
	Ø 560	-	NEP
	Ø 630	-	NEP
	Ø 800	-	NEP
		4p	6p
Fan motor 400V/3ph-60 Hz.. Extra price for each fan	Ø 500	23	NEP
	Ø 560	NEP	NEP
	Ø 630	170	NEP
	Ø 800	NEP	NEP

NEP: No extra price

STD: Fan motor standard

Electrical options				
Series	Price			
	Ø 500	Ø 560	Ø 630	Ø 800
Local safety switch wired				
Number of fans				
1	135	135	135	135
2	270	270	270	270
3	405	405	405	405
4	541	541	541	541
5	676	676	676	-
Terminal box				
Number of fans				
1	422	422	422	422
2	481	481	481	481
3	555	555	555	555
4	609	609	609	609
5	677	677	677	-
AlfaStreamer				
Number of fans				Only on 6 poles
1	87	n.a.	102	157
2	172	n.a.	205	314
3	260	n.a.	306	470
4	345	n.a.	408	626
5	432	n.a.	511	-
Air sock adapter ring				
Number of fans				
1	113	142	142	238
2	227	283	283	476
3	340	426	426	715
4	454	568	568	954
5	568	710	710	-
Fan ring heater				
Number of fans				
1	112	123	126	124
2	209	314	402	231
3	321	350	363	352
4	407	462	462	450
5	510	579	579	-

Options				
Series	Price			
	Ø 500	Ø 560	Ø 630	Ø 800
Floor mounting support				
Number of fans				
1	624	624	624	624
2	1202	1202	1202	1202
3	1362	1362	1362	1362
4	1845	1845	1845	1845
5	2028	2028	2028	-



Options				
Series	Price			
	Ø 500	Ø 560	Ø 630	Ø 800
Connection side				
			Left	Right
Ref. connection side			STD	option - NEP
FE connection				
Ref. connection in stainless steel kit with end terminal in Fe				All models and diameter
				344



**Fincoil AHB
Prices**

AHB Size	Fin spacing			
	8 mm	10 mm	12 mm	15 mm
1	2870	2837	2814	2803
2	3215	3159	3126	3081
3	4539	4394	4294	4216
4	5039	4872	4750	4639
5	5829	5618	5473	5328
6	6686	6396	6207	6029
7	7553	7397	7164	6941
8	8688	8254	8187	7898
9	9711	9211	8888	8577
10	10623	10101	9756	9378
11	12114	11469	10979	10568
12	14928	14127	13594	13004
13	16786	15885	15273	14617
14	18722	17654	16975	16308
15	20835	19645	18889	18132
16	22181	20846	20001	19156
17	25363	23661	22582	21569
18	29812	27766	26475	25251
19	35942	33372	31759	30235
20	40892	37810	35619	34062

AHB Size	Extra price EUR								DX- use	Stainless casing	Crate packing
	KK	VS	SS	SSA	SSA(E)	SP	PP	Ft			
1	434	445	568	367	734	123	267	134	134	456	89
2	434	512	568	367	734	123	267	134	134	534	89
3	445	367	823	367	734	123	267	134	255	634	89
4	445	512	879	367	734	123	278	134	255	656	89
5	501	600	823	367	734	234	278	255	255	901	134
6	512	690	867	378	756	234	278	255	301	1090	178
7	512	690	923	378	756	234	278	255	301	1090	190
8	634	801	957	401	801	356	278	367	301	1479	211
9	634	801	1034	401	801	356	278	378	301	1513	222
10	690	767	1335	401	801	356	289	378	301	1513	245
11	968	946	1379	579	1135	478	289	489	367	2536	301
12	968	946	1691	579	1135	478	289	501	367	2637	345
13	1024	1045	1702	579	1135	600	289	634	367	2814	401
14	1124	946			1157	378	311	222			389
15	1179	1045			1157	489	311	278			434
16	1246	1068			1235	489	311	278			489
17	1379	1068			1235	378	345	222			534
18	1513	1402			1302	501	345	278			600
19	1602	1135			1235	501	367	278			512
20	1769	1479			1302	501	367	278			600

KK = Hot gas defrost
 VS = Water defrost
 SS = Electric defrost
 SSA = Electric defrost in tray
 SSA(E) = Electric condens heating in bottom of the tray
 SP = Electric defrost for fan openings
 PP = End cover plates
 Ft = Round fanges for textile air duct (for cooler sizes 14...20 fan guard is not included)

Air heat exchangers – Helpman LEX (Commercial unit coolers, stock range)

Helpman LEX Prices

Model	Application					
	Direct exp. and brine					
Fin spacing 4 mm	Fans	Capacity* kW	Air volume m ³ /h	Price		
				A	E2	G1
Helpman-LEX 2-4 230	1	1,50	1030	781	910	915
Helpman-LEX 4-4 230	1	2,30	1740	878	1039	1017
Helpman-LEX 6-4 230	1	3,20	1650	1173	1335	1318
Helpman-LEX 8-4 230	1	5,10	2660	1341	1508	1504
Helpman-LEX 10-4 230	2	4,70	3490	1547	1724	1710
Helpman-LEX 12-4 230	2	6,30	3320	1776	1953	1970
Helpman-LEX 14-4 230	1	7,00	3700	1824	2152	2035
Helpman-LEX 16-4 230	1	8,90	4850	2240	2597	2461
Helpman-LEX 18-4 230	2	10,40	5320	2412	2791	2671
Helpman-LEX 20-4 230	2	14,10	7410	2932	3344	3208
Helpman-LEX 22-4 230	2	17,90	9680	3517	4010	3808
Helpman-LEX 24-4 230	2	22,70	12320	4113	4605	4534
Helpman-LEX 26-4 230	3	27,80	14200	4988	5576	5426
Helpman-LEX 28-4 230	3	35,70	18500	5838	6426	6357
Helpman-LEX 30-4 230	4	44,80	24660	7629	8336	8244
Fin spacing 7 mm	Fans	Capacity (*)	Air flow rate	Price		
		kW	m ³ /h	A	E2	G1
Helpman-LEX 2-7 230	1	1,03	1080	717	846	851
Helpman-LEX 4-7 230	1	1,09	1840	802	964	941
Helpman-LEX 6-7 230	1	2,08	1750	1076	1238	1222
Helpman-LEX 8-7 230	1	4,04	2800	1233	1400	1396
Helpman-LEX 10-7 230	2	4,01	3680	1419	1597	1582
Helpman-LEX 12-7 230	2	5,05	3500	1629	1807	1824
Helpman-LEX 14-7 230	1	5,09	3900	1674	2001	1885
Helpman-LEX 16-7 230	1	7,09	5100	2055	2411	2275
Helpman-LEX 18-7 230	2	9,00	5600	2213	2593	2472
Helpman-LEX 20-7 230	2	12,02	7800	2689	3101	2965
Helpman-LEX 22-7 230	2	15,07	10200	3226	3718	3516
Helpman-LEX 24-7 230	2	20,00	13000	3773	4265	4194
Helpman-LEX 26-7 230	3	24,60	15300	4577	5165	5015
Helpman-LEX 28-7 230	3	31,00	19500	5356	5944	5875
Helpman-LEX 30-7 230	4	40,10	26000	6999	7705	7614

* Nominal capacities for R-404A according to Eurovent SC2, lightly frosted coil.



**Fincoil Polar Cat Duo
Prices**

PCD	Fan motor	Standard model Fin spacing 5 mm	Extra price EUR			
Size			SS	Ps	Te	G
201	1 x 254	878	178	163	147	183
202	2 x 254	1151	194	163	147	183
203	3 x 254	1430	231	163	147	183
204	4 x 254	1811	253	163	147	183
205	5 x 254	2056	357	163	147	183

SS = Electric defrost

Ps = Rotation speed regulator

Te = Fan delay thermostat (non-mounted)

G = Liquid use

Air heat exchangers – Optigo CD

Optigo CD Prices

A: Air defrost

E: Electrical defrost

EP: Epoxy coated aluminium f ns.

C: Cataphoresis treatment

Model - ERP 2015	Fin spacing	Price				
		Defrost		Re-heating coil Extra price	Coil options Extra price	
		A	E		EP	C
CDE301B	3,3	777	901	74	30	94
CDE301C	3,3	863	987	82	46	142
CDE302B	3,3	1153	1277	107	60	188
CDE302C	3,3	1240	1364	115	92	284
CDE303B	3,3	1544	1668	143	90	282
CDE303C	3,3	1669	1793	154	138	426
CDE304B	3,3	1933	2093	178	120	376
CDE304C	3,3	2096	2256	192	184	568
CDE301B	4,0	761	885	74	24	78
CDE301C	4,0	847	971	82	38	118
CDE302B	4,0	1121	1245	107	48	156
CDE302C	4,0	1208	1332	115	76	236
CDE303B	4,0	1496	1620	143	72	234
CDE303C	4,0	1621	1745	154	114	354
CDE304B	4,0	1869	2029	178	96	312
CDE304C	4,0	2032	2192	192	152	472
CDE301B	5,5	747	871	74	16	52
CDE301C	5,5	829	953	82	24	78
CDE302B	5,5	1093	1217	107	32	104
CDE302C	5,5	1172	1296	115	48	156
CDE303B	5,5	1454	1578	143	48	156
CDE303C	5,5	1567	1691	154	72	234
CDE304B	5,5	1813	1973	178	64	208
CDE304C	5,5	1960	2120	192	96	312
CDE301B	7,0	717	841	74	14	48
CDE301C	7,0	797	921	82	22	70
CDE302B	7,0	1033	1157	107	28	96
CDE302C	7,0	1108	1232	115	44	140
CDE303B	7,0	1364	1488	143	42	144
CDE303C	7,0	1471	1595	154	66	210
CDE304B	7,0	1693	1853	178	56	192
CDE304C	7,0	1832	1992	192	88	280

A: Air defrost
 E: Electrical defrost
 EP: Epoxy coated aluminium fins.
 C: Cataphoresis treatment

Model - ERP 2015	Fin spacing	Price				
		Defrost		Re-heating coil Extra price	Coil options Extra price	
		A	E		EP	C
CDE401B	4,0	2312	2732	-	76	122
CDE401C	4,0	2545	2965	-	110	284
CDE402B	4,0	3360	3845	-	152	244
CDE402C	4,0	3686	4171	-	220	568
CDE403B	4,0	4479	5044	-	228	366
CDE403C	4,0	4827	5392	-	330	852
CDE404B	4,0	5823	6488	-	304	488
CDE404C	4,0	6385	7050	-	440	1136
CDE405B	4,0	7318	8053	-	380	610
CDE405C	4,0	8024	8759	-	550	1420
CDE401B	5,5	2274	2694	-	256	304
CDE401C	5,5	2503	2923	-	308	482
CDE402B	5,5	3284	3769	-	512	608
CDE402C	5,5	3602	4087	-	616	964
CDE403B	5,5	4365	4930	-	768	912
CDE403C	5,5	4701	5266	-	924	1446
CDE404B	5,5	5671	6336	-	1024	1216
CDE404C	5,5	6217	6882	-	1232	1928
CDE405B	5,5	7128	7863	-	1280	1520
CDE405C	5,5	7814	8549	-	1540	2410
CDE401B	6,0	2236	2656	-	294	342
CDE401C	6,0	2459	2879	-	352	526
CDE402B	6,0	3208	3693	-	588	684
CDE402C	6,0	3514	3999	-	704	1052
CDE403B	6,0	4251	4816	-	882	1026
CDE403C	6,0	4569	5134	-	1056	1578
CDE404B	6,0	5519	6184	-	1176	1368
CDE404C	6,0	6041	6706	-	1408	2104
CDE405B	6,0	6938	7673	-	1470	1710
CDE405C	6,0	7594	8329	-	1760	2630
CDE401B	7,0	2198	2618	-	136	78
CDE401C	7,0	2417	2837	-	158	174
CDE402B	7,0	3132	3617	-	272	156
CDE402C	7,0	3430	3915	-	316	348
CDE403B	7,0	4137	4702	-	408	234
CDE403C	7,0	4443	5008	-	474	522
CDE404B	7,0	5367	6032	-	544	312
CDE404C	7,0	5873	6538	-	632	696
CDE405B	7,0	6748	7483	-	680	390
CDE405C	7,0	7384	8119	-	790	870
CDE401B	8,0	2160	2580	-	312	254
CDE401C	8,0	2375	2795	-	352	368
CDE402B	8,0	3056	3541	-	624	508
CDE402C	8,0	3346	3831	-	704	736
CDE403B	8,0	4023	4588	-	936	762
CDE403C	8,0	4317	4882	-	1056	1104
CDE404B	8,0	5215	5880	-	1248	1016
CDE404C	8,0	5705	6370	-	1408	1472
CDE405B	8,0	6558	7293	-	1560	1270
CDE405C	8,0	7174	7909	-	1760	1840

Air heat exchangers – Optigo CD

A: Air defrost

E: Electrical defrost

EP: Epoxy coated aluminium fins

C: Cathaphoresis treatment

Model - ERP 2015	Fin spacing	Price				
		Defrost		Extra price Re-heating coil	Coil options Extra price	
		A	E		EP	C
CDX301B	3,3	962	1086	92	30	94
CDX301C	3,3	1068	1192	103	46	142
CDX302B	3,3	1422	1546	134	60	188
CDX302C	3,3	1527	1651	144	92	284
CDX303B	3,3	1902	2026	178	90	282
CDX303C	3,3	2053	2177	193	138	426
CDX304B	3,3	2378	2538	223	120	376
CDX304C	3,3	2576	2736	240	184	568
CDX301B	4,0	946	1070	92	24	78
CDX301C	4,0	1052	1176	103	38	118
CDX302B	4,0	1390	1514	134	48	156
CDX302C	4,0	1495	1619	144	76	236
CDX303B	4,0	1854	1978	178	72	234
CDX303C	4,0	2005	2129	193	114	354
CDX304B	4,0	2314	2474	223	96	312
CDX304C	4,0	2512	2672	240	152	472
CDX301B	5,5	932	1056	92	16	52
CDX301C	5,5	1034	1158	103	24	78
CDX302B	5,5	1362	1486	134	32	104
CDX302C	5,5	1459	1583	144	48	156
CDX303B	5,5	1812	1936	178	48	156
CDX303C	5,5	1951	2075	193	72	234
CDX304B	5,5	2258	2418	223	64	208
CDX304C	5,5	2440	2600	240	96	312
CDX301B	7,0	902	1026	92	14	48
CDX301C	7,0	1002	1126	103	22	70
CDX302B	7,0	1302	1426	134	28	96
CDX302C	7,0	1395	1519	144	44	140
CDX303B	7,0	1722	1846	178	42	144
CDX303C	7,0	1855	1979	193	66	210
CDX304B	7,0	2138	2298	223	56	192
CDX304C	7,0	2312	2472	240	88	280



A: Air defrost
 E: Electrical defrost
 EP: Epoxy coated aluminium fins.
 C: Cataphoresis treatment

Model - ERP 2015	Fin spacing	Price				
		Defrost		Extra price Re-heating coil	Coil options Extra price	
		A	E		EP	C
CDX401B	3,3	2899	3319	-	178	226
CDX401C	3,3	3198	3618	-	222	396
CDX402B	3,3	4220	4705	-	356	452
CDX402C	3,3	4641	5126	-	444	792
CDX403B	3,3	5628	6193	-	534	678
CDX403C	3,3	6084	6649	-	666	1188
CDX404B	3,3	7319	7984	-	712	904
CDX404C	3,3	8048	8713	-	888	1584
CDX405B	3,3	9197	9932	-	890	1130
CDX405C	3,3	10114	10849	-	1110	1980
CDX401B	4,0	2859	3279	-	76	122
CDX401C	4,0	3154	3574	-	110	284
CDX402B	4,0	4140	4625	-	152	244
CDX402C	4,0	4553	5038	-	220	568
CDX403B	4,0	5508	6073	-	228	366
CDX403C	4,0	5952	6517	-	330	852
CDX404B	4,0	7159	7824	-	304	488
CDX404C	4,0	7872	8537	-	440	1136
CDX405B	4,0	8997	9732	-	380	610
CDX405C	4,0	9894	10629	-	550	1420
CDX401B	5,5	2821	3241	-	256	304
CDX401C	5,5	3112	3532	-	308	482
CDX402B	5,5	4064	4549	-	512	608
CDX402C	5,5	4469	4954	-	616	964
CDX403B	5,5	5394	5959	-	768	912
CDX403C	5,5	5826	6391	-	924	1446
CDX404B	5,5	7007	7672	-	1024	1216
CDX404C	5,5	7704	8369	-	1232	1928
CDX405B	5,5	8807	9542	-	1280	1520
CDX405C	5,5	9684	10419	-	1540	2410
CDX401B	7,0	2597	3017	-	284	226
CDX401C	7,0	2862	3282	-	322	338
CDX402B	7,0	3616	4101	-	568	452
CDX402C	7,0	3969	4454	-	644	676
CDX403B	7,0	4722	5287	-	852	678
CDX403C	7,0	5076	5641	-	966	1014
CDX404B	7,0	6111	6776	-	1136	904
CDX404C	7,0	6704	7369	-	1288	1352
CDX405B	7,0	7687	8422	-	1420	1130
CDX405C	7,0	8434	9169	-	1610	1690

Accessories and options

Model	Connection box*	Local safety switch wired	Insulated drip tray
401	90	135	400
402	150	270	475
403	170	405	550
404	220	540	625
405	275	675	700

*)AC fan motors



**Big Top
Prices**

A: Air defrost
E: Electrical defrost
W: Water defrost

E = Direct expansion evaporator			
Model	Big Top - ERP 2015		
Defrost	A	E	W
Fin spacing 5 mm			
ITRE_562B_5	5958	6957	6610
ITRE_562C_5	6646	7752	7374
ITRE_563B_5	7937	9266	8807
ITRE_563C_5	8850	10331	9823
ITRE_564B_5	9944	11607	11039
ITRE_564C_5	11085	12934	12296
Fin spacing 7 mm			
ITBE_562B_7	5651	6649	6301
ITBE_562C_7	6301	7404	7026
ITBE_563B_7	7528	8856	8398
ITBE_563C_7	8393	9874	9366
ITBE_564B_7	9431	11090	10521
ITBE_564C_7	10520	12363	11726

Accessories and options

Electrical options	
	Price
Local safety switch wired	
Number of fans	
2	270
3	405
4	541
Terminal box	
Number of fans	
2	216
3	296
4	343

Fan motor					
		Article no.		Price	
Fan motor 400-460V/3ph - 50/60 Hz. Extra price for each fan	50 Hz 60 Hz	4/4p	6/6p	4/4p	6/6p
		STD	41101244	NEP	58
		41101274	-	282	-

Double insulated drip tray	
Number of fans	Aluminium pre-painted
2	999
3	1198
4	1498
Number of fans	Stainless steel
2	1298
3	1556
4	1946

Coil treatment												
Series	Cataphoresis						Epoxy coated fins					
	ITR			ITB			ITR			ITB		
	B	C	E	B	C	E	B	C	E	B	C	E
Direct exp.												
Number of fans												
2	823	1099	1371	460	801	-	579	667	763	489	556	-
3	1235	1649	2056	691	1201	-	867	1001	1144	734	834	-
4	1646	2198	2741	921	1602	-	1157	1335	1526	979	1112	-

Stainless steel casing	
	Price
Number of fans	
2	1948
3	2596
4	3251
FE connection	
Ref. connection in stainless steel kit with end terminal in Fe	344



**Fincoil FMP
Prices**

FMP/FMP(G)	Fan motor	CA Cu tubes and Al fins		Extra price	
		Fin spacing		Epoxy coated fins	AISI 304 Casing
		4 & 12	7 mm	Fin spacing (4 mm)	
201	1x450	3180	3097	255	-
211	1x450	3356	3250	267	-
221	2x450	3682	3541	289	-
202	2x450	4842	4712	345	-
212	2x450	5180	4968	378	-
231	1x630	4942	4706	401	-
222	2x500	5765	5482	422	-
213	3x450	6239	5921	478	-
223	3x500	6929	6528	568	-
232	2x630	7384	6853	623	-
224	4x500	8778	8247	723	-
233	3x630	9779	9083	790	-

- = Prices are given by request.

Size	Extra price					
	SS	SS0	SSA	KK-SSA	Q	W
201	589	-	489	545	89	78
211	656	-	489	545	89	89
221	656	-	489	545	89	89
202	712	-	623	734	167	144
212	801	-	623	734	167	144
231	1057	-	489	545	89	89
222	968	-	623	734	167	144
213	1001	-	756	867	278	255
223	1235	-	756	867	278	255
232	1191	-	623	734	167	89
224	1636	-	890	1034	378	334
233	1391	-	756	1034	278	255

- = Prices are given by request.

SS = Electric defrost

SS0 = Electric defrost (cold rooms appr. 0°C)

SSA = Electric defrost in drip tray

KK-SSA = Hot gas defrost in coil and electric defrost in tray

Q = Safety switches

W = Fans wired to the air cooler end



**Fincoil AMK
Prices**

AMK Size	Fin spacing					
	4.5 mm	6 mm	8 mm	10 mm	12 mm	15 mm
411	4149	4060	3982	3949	3927	3882
421	4761	4605	4494	4405	4372	4327
431	5695	5451	5295	5184	5128	5061
441	6430	6163	5940	5807	5740	5651
422	6786	6474	6252	6096	6018	5929
432	8020	7564	7219	7019	6864	6730
442	8743	8221	7842	7587	7442	7286
452	10156	9589	9055	8755	8532	8343
443	11157	10312	9845	9500	9266	9010
462	14394	13260	12426	11925	11580	11346
472	16764	15373	14305	13872	13282	12837
463	19200	17509	16241	15496	14984	14483
473	22537	20435	18855	17899	17264	16630
464	24951	23861	20991	20001	19300	18633
474	28822	26019	23917	22637	21803	20958

AMK Size	Extra price						DX- use	Crate packing
	KK	SS	SSA	PVC	RST	PP		
411	534	634	211	456	612	267	134	100
421	568	734	301	523	712	200	134	123
431	568	879	301	523	712	200	255	123
441	568	879	301	545	746	211	255	123
422	723	801	311	712	1012	200	301	134
432	723	957	311	712	1012	200	301	134
442	712	957	311	723	1034	200	301	144
452	712	1090	311	767	1101	234	301	156
443	823	1157	401	901	1335	200	301	200
462	923	1747	345	1191	1724	322	301	178
472	923	2047	345	1191	1724	322	322	178
463	1101	2058	412	1535	2269	322	367	200
473	1101	2292	412	1535	2269	322	367	200
464	1368	2937	545	1847	2792	311	401	245
474	1379	3293	568	1212	2804	322	478	245

KK = Hot gas defrost
 SS = Electric defrost
 SSA = Electric defrost in tray
 PVC = Casing PVC-coated galvanised steel
 RST = Stainless casing



**Fincoil FK
Prices**

FK/FK(G)	Standard model	Extra price EUR		
	Fin spacing 8 mm	SS	L	SSA
FK(G)-260	333	96	122	95
FK(G)-280	343	99	122	95
FK(G)-2100	357	110	122	95
FK(G)-2120	359	116	122	95
FK(G)-460	391	175	122	95
FK(G)-480	409	181	122	95
FK(G)-4100	429	196	122	95
FK(G)-4120	470	211	122	95
FK(G)-4160	511	238	133	95
FK(G)-4200	621	261	145	95
FK(G)-4270	910	310	167	122
FK(G)-560	425	166	122	95
FK(G)-580	445	172	122	95
FK(G)-5100	471	186	122	95
FK(G)-5120	514	200	122	95
FK(G)-5160	576	225	133	95
FK(G)-5200	688	248	145	95
FK(G)-5270	1003	294	167	122
FK(G)-8100	611	175	145	95
FK(G)-8120	647	187	145	95
FK(G)-8160	795	210	167	95
FK(G)-8200	930	232	178	95
FK(G)-8240	1175	285	234	106
FK(G)-8270	1247	275	234	122
FK(G)-8320	1501	342	311	122
FK(G)-8360	1682	344	345	133
FK(G)-8400	1815	531	367	156

SS = Electric defrost in coil

L = Flat drip tray

SSA = Electric defrost in drip tray

Alfa Laval Air Coolers standard models



Optigo CSE – standard models

Easy to order low-silhouette air coolers - article number based standard models.
Capacities 620 to 7830 Watt.

EC fans Noise level H		4 mm Fin spacing							EC fan 230V/1/50-60Hz				Dimensions (mm)			Price
Cooler model CSE	No. of fans	Delivery time	Article no.	Capacities		Coil surface (m ²)	Air flow (m ³ /h)	Air throw (m)	Power consumption (W)	Sound pressure (dBa)	Weight (kg)	Internal volume (L)	Length	Connections		
				SC1 (kW)	SC2 (kW)									Inlet Ø	Suction Ø	
CSEH201B	1	1)	3289052250	1.3	0.9	2.8	517	5.7	33	43	7	0.4	580	12	12	389
CSEH202B	2	1)	3289052252	2.6	1.8	5.6	1034	8.0	66	46	14	0.8	1030	12	12	545
CSEH203B	3	1)	3289052254	4.0	2.8	8.4	1551	9.8	99	48	21	1.1	1480	12	14	729
CSEH301B	1	1)	3289052255	2.1	1.4	4.7	767	6.5	35	42	12	0.7	762	12	12	537
CSEH301C	1	1)	3289052256	2.5	1.7	7.0	671	5.7	35	42	12	1.1	762	12	12	603
CSEH302B	2	1)	3289052257	3.9	2.7	9.4	1533	9.2	70	45	16	1.3	1262	12	14	735
CSEH302C	2	1)	3289052258	5.0	3.4	14.0	1343	8.1	70	45	18	1.9	1262	16	16	787
CSEH303B	3	1)	3289052259	6.2	4.3	14.0	2300	11.3	105	47	21	1.8	1762	16	16	972
CSEH303C	3	1)	3289052260	7.0	4.8	21.0	2014	9.9	105	47	24	2.7	1762	16	18	1028
CSEH304B	4	1)	3289052261	7.9	5.4	18.7	3066	13.1	140	48	27	2.4	2262	16	18	1230
CSEH304C	4	1)	3289052262	9.6	6.6	28.0	2686	11.4	140	48	26	3.5	2262	16	20	1292
CSEH305B	5	1)	3289052263	9.0	6.2	23.4	3833	14.6	175	49	32	2.9	2762	16	20	1478
CSEH305C	5	1)	3289052264	11.3	7.8	35.1	3357	12.8	175	49	35	4.4	2762	16	22	1523

1) Delivery time max. 5 days

Product denomination: CSE in combination with the Optigo range name stands for CS: Commercial air cooler – slim line, E: direct expansion for H(C)FC, design pressure 40 bar.

Capacities: SC1: R404A/R507A, t₀ = 0 °C, DT1 = 10K. SC2: R404A/R507A, t₀ = -8 °C, DT1 = 8K, lightly frosted coil.

Sound pressure values according to EN 13487 Lp(A) at 3 m.

Data in this table is subject to periodical updates, please check latest version on www.alfalaval.com/refrigeration.

EC fans Noise level H		7 mm Fin spacing							EC fan 230V/1/50-60Hz				Dimensions (mm)			Price
Cooler model CSE	No. of fans	Delivery time	Article no.	Capacities		Coil surface (m ²)	Air flow (m ³ /h)	Air throw (m)	Power consumption (W)	Sound pressure (dBa)	Weight (kg)	Internal volume (L)	Length	Connections		
				SC1 (kW)	SC2 (kW)									Inlet Ø	Suction Ø	
CSEH201B	1	2)	3289052265	1.0	0.7	1.7	562	6.2	33	43	7	0.4	580	12	12	389
CSEH202B	2	1)	3289052266	1.9	1.3	3.4	1123	8.7	66	46	14	0.8	1030	12	12	545
CSEH203B	3	1)	3289052267	2.9	2.0	5.1	1685	10.7	99	48	21	1.1	1480	12	14	722
CSEH301B	1	1)	3289052268	1.5	1.0	2.8	852	7.3	35	42	12	0.7	762	12	12	515
CSEH301C	1	2)	3289052269	2.0	1.3	4.2	767	6.5	35	42	12	1.1	762	12	12	563
CSEH302B	2	1)	3289052270	3.0	2.0	5.6	1705	10.3	70	45	16	1.3	1262	12	14	724
CSEH302C	2	1)	3289052271	4.0	2.7	8.5	1533	9.2	70	45	18	1.9	1262	16	16	774
CSEH303B	3	1)	3289052272	4.6	3.1	8.5	2557	12.6	105	47	21	1.8	1762	16	16	942
CSEH303C	3	1)	3289052273	5.8	3.9	12.7	2300	11.3	105	47	24	2.7	1762	16	18	996
CSEH304B	4	1)	3289052274	6.0	4.1	11.3	3410	14.5	140	48	27	2.4	2262	16	18	1156
CSEH304C	4	1)	3289052275	7.8	5.3	16.9	3067	13.1	140	48	26	3.5	2262	16	20	1213
CSEH305B	5	1)	3289052276	7.2	4.9	14.1	4262	16.2	175	49	32	2.9	2762	16	20	1347
CSEH305C	5	1)	3289052277	9.4	6.4	21.1	3833	14.6	175	49	35	4.4	2762	16	22	1410

1) Delivery time max. 5 days

2) Delivery time <4 weeks

Product denomination: CSE in combination with the Optigo range name stands for CS: Commercial air cooler – slim line, E: direct expansion for H(C)FC, design pressure 40 bar.

Capacities: SC1: R404A/R507A, t₀ = 0 °C, DT1 = 10K. SC2: R404A/R507A, t₀ = -8 °C, DT1 = 8K, lightly frosted coil.

Sound pressure values according to EN 13487 Lp(A) at 3 m.

Data in this table is subject to periodical updates, please check latest version on www.alfalaval.com/refrigeration.

Optigo CSE – standard models

Easy to order low-silhouette air coolers - article number based standard models.
Capacities 620 to 7830 Watt.



EC fans Noise level L		4 mm Fin spacing							EC fan 230V/1/50-60Hz				Dimensions (mm)			Price
Cooler model CSE	No. of fans	Delivery time	Article no.	Capacities		Coil surface (m ²)	Air flow (m ³ /h)	Air throw (m)	Power consumption (W)	Sound pressure (dBa)	Weight (kg)	Internal volume (L)	Length	Connections		
				SC1 (kW)	SC2 (kW)									Inlet Ø	Suction Ø	
CSEL201B	1	1)	*	1.1	0.8	2.8	379	4.2	19	37	7	0.4	580	12	12	389
CSEL202B	2	1)	*	2.2	1.5	5.6	758	5.9	38	40	14	0.8	1030	12	12	545
CSEL203B	3	1)	*	3.4	2.3	8.4	1138	7.2	57	42	21	1.1	1480	12	14	729
CSEL301B	1	1)	*	1.7	1.2	4.7	533	4.5	17	33	12	0.7	762	12	12	537
CSEL301C	1	1)	*	2.0	1.3	7.0	471	4.0	17	33	12	1.1	762	12	12	603
CSEL302B	2	1)	*	3.2	2.2	9.4	1066	6.4	34	36	17	1.3	1262	12	14	735
CSEL302C	2	1)	*	3.9	2.7	14.0	942	5.7	34	36	18	1.9	1262	16	16	787
CSEL303B	3	1)	*	5.1	3.5	14.0	1599	7.9	51	38	22	1.8	1762	16	16	972
CSEL303C	3	1)	*	5.7	3.9	21.0	1413	7.0	51	38	24	2.7	1762	16	18	1028
CSEL304B	4	1)	*	6.5	4.5	18.7	2133	9.1	68	39	28	2.4	2262	16	18	1230
CSEL304C	4	1)	*	7.7	5.3	28.1	1885	8.0	68	39	30	3.5	2262	16	20	1292
CSEL305B	5	1)	*	7.7	5.3	23.4	2666	10.2	85	40	33	2.9	2762	16	20	1478
CSEL305C	5	1)	*	9.2	6.4	35.1	2356	9.0	85	40	36	4.4	2762	16	22	1523

1) Delivery time max. 5 days

Product denomination: CSE in combination with the Optigo range name stands for CS: Commercial air cooler – slim line, E: direct expansion for H(C)FC, design pressure 40 bar.

Capacities: SC1: R404A/R507A, t₀ = 0 °C, DT1 = 10K. SC2: R404A/R507A, t₀ = -8 °C, DT1 = 8K, lightly frosted coil.

Sound pressure values according to EN 13487 Lp(A) at 3 m.

Data in this table is subject to periodical updates, please check latest version on www.alfalaval.com/refrigeration.

* For noise level L choose an H version on previous page and connect it according to user manual for L duty.

EC fans Noise level L		7 mm Fin spacing							EC fan 230V/1/50-60Hz				Dimensions (mm)			Price
Cooler model CSE	No. of fans	Delivery time	Article no.	Capacities		Coil surface (m ²)	Air flow (m ³ /h)	Air throw (m)	Power consumption (W)	Sound pressure (dBa)	Weight (kg)	Internal volume (L)	Length	Connections		
				SC1 (kW)	SC2 (kW)									Inlet Ø	Suction Ø	
CSEL201B	1	2)	*	0.8	0.6	1.7	414	4.6	19	37	7	0.4	580	12	12	389
CSEL202B	2	1)	*	1.6	1.1	3.4	829	6.4	38	40	14	0.8	1030	12	12	545
CSEL203B	3	1)	*	2.5	1.7	5.1	1243	7.9	57	42	21	1.1	1480	12	14	722
CSEL301B	1	1)	*	1.2	0.9	2.8	590	5.0	17	33	12	0.7	762	12	12	515
CSEL301C	1	2)	*	1.6	1.1	4.2	537	4.6	17	33	12	1.1	762	12	12	563
CSEL302B	2	1)	*	2.4	1.7	5.6	1180	7.1	34	36	17	1.3	1262	12	14	724
CSEL302C	2	1)	*	3.2	2.2	8.5	1073	6.5	34	36	18	1.9	1262	16	16	774
CSEL303B	3	1)	*	3.7	2.6	8.5	1770	8.7	51	38	22	1.8	1762	16	16	942
CSEL303C	3	1)	*	4.7	3.2	12.7	1610	7.9	51	38	24	2.7	1762	16	18	996
CSEL304B	4	1)	*	4.9	3.4	11.3	2360	10.1	68	39	28	2.4	2262	16	18	1156
CSEL304C	4	1)	*	6.3	4.3	16.9	2146	9.1	68	39	30	3.5	2262	16	20	1213
CSEL305B	5	1)	*	6.0	4.1	14.1	2951	11.2	85	40	33	2.9	2762	16	20	1347
CSEL305C	5	1)	*	7.7	5.3	21.1	2683	10.2	85	40	36	4.4	2762	16	22	1410

1) Delivery time max. 5 days

2) Delivery time <4 weeks

Product denomination: CSE in combination with the Optigo range name stands for CS: Commercial air cooler – slim line, E: direct expansion for H(C)FC, design pressure 40 bar.

Capacities: SC1: R404A/R507A, t₀ = 0 °C, DT1 = 10K. SC2: R404A/R507A, t₀ = -8 °C, DT1 = 8K, lightly frosted coil.

Sound pressure values according to EN 13487 Lp(A) at 3 m.

Data in this table is subject to periodical updates, please check latest version on www.alfalaval.com/refrigeration.

* For noise level L choose an H version on previous page and connect it according to user manual for L duty.

Air heat exchangers – Air Coolers – standard models



Optigo CSX Design pressure 80 bar – standard models

Easy to order low-silhouette air coolers - article number based standard models.
Capacities 620 to 7830 Watt.

EC fans Noise level H		4 mm Fin spacing							EC fan 230V/1/50-60Hz				Dimensions (mm)			Price
Cooler model CSX	No. of fans	Delivery time	Article no.	Capacities		Coil surface (m ²)	Air flow (m ³ /h)	Air throw (m)	Power consumption (W)	Sound pressure (dBa)	Weight (kg)	Internal volume (L)	Length	Connections		
				SC1 (kW)	SC2 (kW)									Inlet Ø	Suction Ø	
CSXH201B	1	2)	3289058934	1.3	0.9	2.8	517	5.7	33	43	7	0.4	580	12	12	585
CSXH202B	2	2)	3289054095	2.6	1.8	5.6	1034	8.0	66	46	14	0.6	1030	12	12	840
CSXH203B	3	2)	3289065983	3.8	2.6	8.4	1551	9.8	99	48	21	0.9	1480	12	12	1132
CSXH301B	1	2)	3289054503	2.1	1.4	4.7	767	6.5	35	42	12	0.6	762	12	12	763
CSXH301C	1	2)	3289054505	2.5	1.7	7.0	671	5.7	35	42	12	0.9	762	12	12	811
CSXH302B	2	2)	3289054105	4.2	2.8	9.4	1533	9.2	70	45	16	1.1	1262	12	14	1049
CSXH302C	2	2)	3289054501	4.9	3.4	14.0	1343	8.1	70	45	18	1.6	1262	12	14	1133
CSXH303B	3	2)	3289053650	6.1	4.2	14.0	2300	11.3	105	47	21	1.5	1762	12	14	1373
CSXH303C	3	2)	3289065403	7.4	5.1	21.1	2014	9.9	105	47	24	2.3	1762	12	14	1488
CSXH304B	4	2)	3289065984	8.2	5.6	18.7	3066	13.1	140	48	27	2.0	2262	12	14	1667
CSXH304C	4	2)	3289065985	10.0	6.9	28.1	2686	11.4	140	48	29	3.0	2262	12	14	1861
CSXH305B	5	2)	3289058936	10.4	7.1	23.4	3833	14.6	175	49	32	2.4	2762	12	14	1976
CSXH305C	5	2)	3289057356	12.4	8.5	35.0	3357	12.8	175	49	35	3.7	2762	12	14	2203

2) Delivery time <4 weeks

Product denomination: CSX in combination with the Optigo range name stands for CS: Commercial air cooler – slim line, X: direct expansion for CO₂, design pressure 80 bar.

Capacities: SC1: R744, t₀ = 0 °C, DT1 = 10K. SC2: R744, t₀ = -8 °C, DT1 = 8K, lightly frosted coil.

Sound pressure values according to EN 13487 Lp(A) at 3 m.

Data in this table is subject to periodical updates, please check latest version on www.alfalaval.com/refrigeration.

EC fans Noise level H		7 mm Fin spacing							EC fan 230V/1/50-60Hz				Dimensions (mm)			Price
Cooler model CSX	No. of fans	Delivery time	Article no.	Capacities		Coil surface (m ²)	Air flow (m ³ /h)	Air throw (m)	Power consumption (W)	Sound pressure (dBa)	Weight (kg)	Internal volume (L)	Length	Connections		
				SC1 (kW)	SC2 (kW)									Inlet Ø	Suction Ø	
CSXH201B	1	2)	3289055465	1.0	0.7	1.7	562	6.2	33	43	7	0.4	580	12	12	583
CSXH202B	2	2)	3289056195	1.9	1.3	3.4	1123	8.7	66	46	14	0.6	1030	12	12	832
CSXH203B	3	2)	3289054150	2.9	1.9	5.1	1685	10.7	99	48	21	0.9	1480	12	12	1115
CSXH301B	1	2)	3289057503	1.5	1.0	2.8	852	7.3	35	42	12	0.6	762	12	12	759
CSXH301C	1	2)	3289053728	2.0	1.4	4.2	767	6.5	35	42	12	0.9	762	12	12	800
CSXH302B	2	2)	3289053807	3.1	2.1	5.6	1705	10.3	70	45	16	1.1	1262	12	14	1022
CSXH302C	2	2)	3289053754	3.9	2.7	8.5	1533	9.2	70	45	18	1.6	1262	12	14	1138
CSXH303B	3	2)	3289053664	4.6	3.1	8.5	2557	12.6	105	47	21	1.5	1762	12	14	1362
CSXH303C	3	2)	3289053757	5.9	4.0	12.7	2300	11.3	105	47	24	2.3	1762	12	14	1471
CSXH304B	4	2)	3289065986	6.2	4.2	11.3	3410	14.5	140	48	27	2.0	2262	12	14	1653
CSXH304C	4	2)	3289053758	8.0	5.4	16.9	3067	13.1	140	48	29	3.0	2262	12	14	1841
CSXH305B	5	2)	3289065987	7.8	5.2	14.1	4262	16.2	175	49	32	2.4	2762	12	14	1959
CSXH305C	5	2)	3289054215	9.9	6.7	21.1	3833	14.6	175	49	35	3.7	2762	12	14	2178

2) Delivery time <4 weeks

Product denomination: CSX in combination with the Optigo range name stands for CS: Commercial air cooler – slim line, X: direct expansion for CO₂, design pressure 80 bar.

Capacities: SC1: R744, t₀ = 0 °C, DT1 = 10K. SC2: R744, t₀ = -8 °C, DT1 = 8K, lightly frosted coil.

Sound pressure values according to EN 13487 Lp(A) at 3 m.

Data in this table is subject to periodical updates, please check latest version on www.alfalaval.com/refrigeration.

Optigo CSX Design pressure 80 bar – standard models

Easy to order low-silhouette air coolers - article number based standard models.
Capacities 620 to 7830 Watt.



EC fans Noise level L		4 mm Fin spacing							EC fan 230V/1/50-60Hz				Dimensions (mm)			Price
Cooler model CSX	No. of fans	Delivery time	Article no.	Capacities		Coil surface (m ²)	Air flow (m ³ /h)	Air throw (m)	Power consumption (W)	Sound pressure (dBa)	Weight (kg)	Internal volume (L)	Length	Connections		
				SC1 (kW)	SC2 (kW)									Inlet Ø	Suction Ø	
CSXL201B	1	2)	*	1.1	0.8	2.8	379	4.2	19	37	7	0.4	580	12	12	585
CSXL202B	2	2)	*	2.2	1.5	5.6	758	5.9	38	40	14	0.6	1030	12	12	840
CSXL203B	3	2)	*	3.2	2.2	8.4	1138	7.2	57	42	21	0.9	1480	12	12	1132
CSXL301B	1	2)	*	1.7	1.2	4.7	533	4.5	17	33	12	0.6	762	12	12	763
CSXL301C	1	2)	*	2.0	1.4	7.0	471	4.0	17	33	12	0.9	762	12	12	811
CSXL302B	2	2)	*	3.4	2.3	9.4	1066	6.4	34	36	16	1.1	1262	12	14	1049
CSXL302C	2	2)	*	3.9	2.7	14.0	942	5.7	34	36	18	1.6	1262	12	14	1133
CSXL303B	3	2)	*	5.0	3.4	14.0	1599	7.9	51	38	21	1.5	1762	12	14	1373
CSXL303C	3	2)	*	5.8	4.0	21.1	1413	7.0	51	38	24	2.3	1762	12	14	1488
CSXL304B	4	2)	*	6.7	4.6	18.7	2133	9.1	68	39	27	2.0	2262	12	14	1667
CSXL304C	4	2)	*	7.9	5.4	28.1	1885	8.0	68	39	29	3.0	2262	12	14	1861
CSXL305B	5	2)	*	8.4	5.8	23.4	2666	10.2	85	40	32	2.4	2762	12	14	1976
CSXL305C	5	2)	*	9.8	6.7	35.0	2356	9.0	85	40	35	3.7	2762	12	14	2203

2) Delivery time <4 weeks

Product denomination: CSX in combination with the Optigo range name stands for CS: Commercial air cooler – slim line, X: direct expansion for CO₂, design pressure 80 bar.

Capacities: SC1: R744, t₀ = 0 °C, DT1 = 10K. SC2: R744, t₀ = -8 °C, DT1 = 8K, lightly frosted coil.

Sound pressure values according to EN 13487 Lp(A) at 3 m.

Data in this table is subject to periodical updates, please check latest version on www.alfalaval.com/refrigeration.

* For noise level L choose an H version on previous page and connect it according to user manual for L duty.

EC fans Noise level L		7 mm Fin spacing							EC fan 230V/1/50-60Hz				Dimensions (mm)			Price
Cooler model CSX	No. of fans	Delivery time	Article no.	Capacities		Coil surface (m ²)	Air flow (m ³ /h)	Air throw (m)	Power consumption (W)	Sound pressure (dBa)	Weight (kg)	Internal volume (L)	Length	Connections		
				SC1 (kW)	SC2 (kW)									Inlet Ø	Suction Ø	
CSXL201B	1	2)	*	0.8	0.6	1.7	414	4.6	19	37	7	0.4	580	12	12	583
CSXL202B	2	2)	*	1.6	1.1	3.4	829	6.4	38	40	14	0.6	1030	12	12	832
CSXL203B	3	2)	*	2.4	1.6	5.1	1243	7.9	57	42	21	0.9	1480	12	12	1115
CSXL301B	1	2)	*	1.3	0.9	2.8	590	5.0	17	33	12	0.6	762	12	12	759
CSXL301C	1	2)	*	1.6	1.1	4.2	537	4.6	17	33	12	0.9	762	12	12	800
CSXL302B	2	2)	*	2.5	1.7	5.6	1180	7.1	34	36	16	1.1	1262	12	14	1022
CSXL302C	2	2)	*	3.2	2.2	8.5	1073	6.5	34	36	18	1.6	1262	12	14	1138
CSXL303B	3	2)	*	3.7	2.5	8.5	1770	8.7	51	38	21	1.5	1762	12	14	1362
CSXL303C	3	2)	*	4.7	3.2	12.7	1610	7.9	51	38	24	2.3	1762	12	14	1471
CSXL304B	4	2)	*	5.0	3.4	11.3	2360	10.1	68	39	27	2.0	2262	12	14	1653
CSXL304C	4	2)	*	6.4	4.3	16.9	2146	9.1	68	39	29	3.0	2262	12	14	1841
CSXL305B	5	2)	*	6.3	4.3	14.1	2951	11.2	85	40	32	2.4	2762	12	14	1959
CSXL305C	5	2)	*	7.9	5.4	21.1	2683	10.2	85	40	35	3.7	2762	12	14	2178

2) Delivery time <4 weeks

Product denomination: CSX in combination with the Optigo range name stands for CS: Commercial air cooler – slim line, X: direct expansion for CO₂, design pressure 80 bar.

Capacities: SC1: R744, t₀ = 0 °C, DT1 = 10K. SC2: R744, t₀ = -8 °C, DT1 = 8K, lightly frosted coil.

Sound pressure values according to EN 13487 Lp(A) at 3 m.

Data in this table is subject to periodical updates, please check latest version on www.alfalaval.com/refrigeration.

* For noise level L choose an H version on previous page and connect it according to user manual for L duty.

Alfa Laval in brief

Alfa Laval is a leading global provider of specialized products and engineered solutions.

Our equipment, systems and services are dedicated to helping customers optimize the performance of their processes. Time and time again.

We help our customers to heat, cool, separate and transport products such as oil, water, chemicals, beverages, foodstuffs, starch and pharmaceuticals.

Our worldwide organization works closely with customers in almost 100 countries to help them stay ahead.

How to contact Alfa Laval

Scan to learn more about Alfa Laval refrigeration solutions and find a distributor near you. Or you can always get up-to-date Alfa Laval contact details for all countries at www.alfalaval.com/contact-us

**Alfa Laval
Industrial Equipment Segment
Market Unit Refrigeration**



www.alfalaval.com/refrigeration

